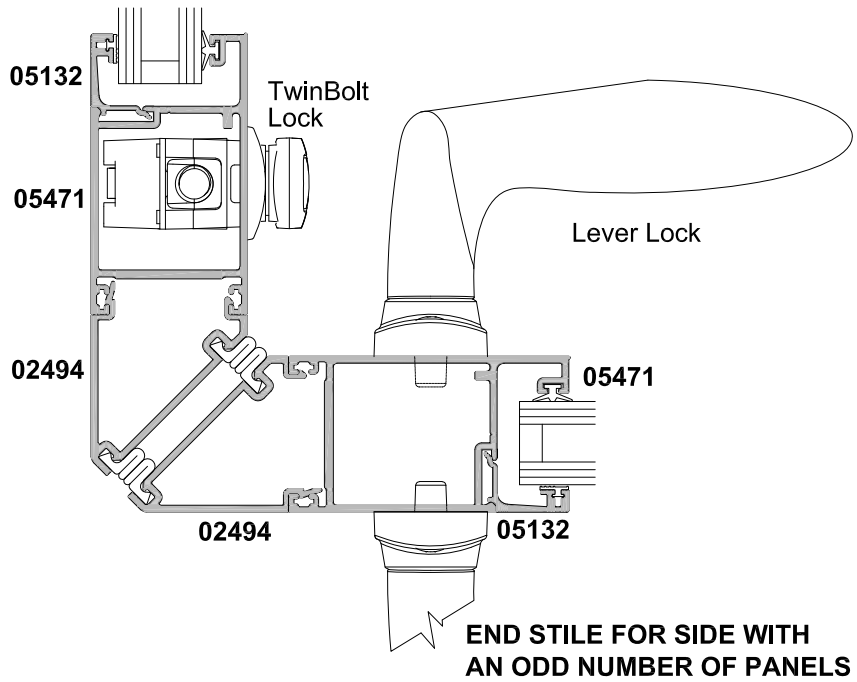
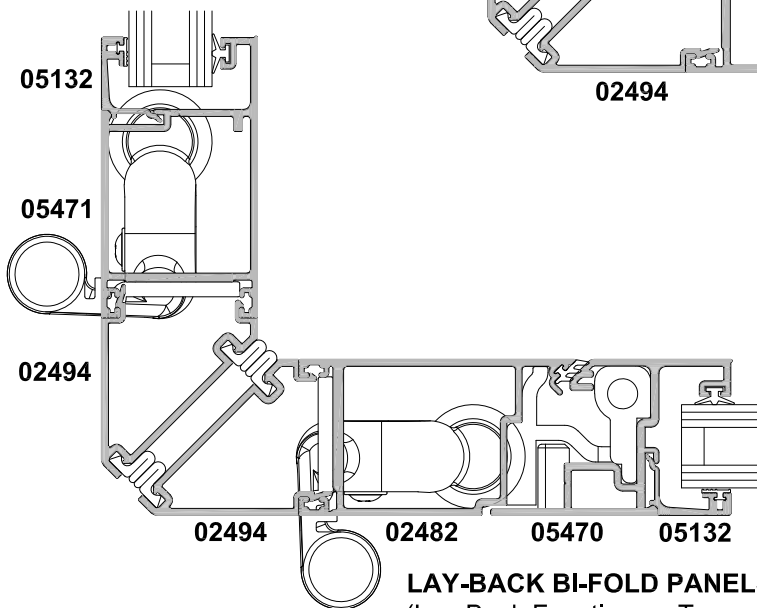


Panel numbers either side of the 90° corner can be arranged to suit most configurations, with the exception being Lay-Back Panels which can only be on a two panel side. Internal corner units are not possible.

**END STILE FOR SIDE WITH AN ODD NUMBER OF PANELS**



**END STILE FOR SIDE WITH AN EVEN NUMBER OF PANELS**



**LAY-BACK BI-FOLD PANELS**  
(Lay-Back Function on Two panel sides only)