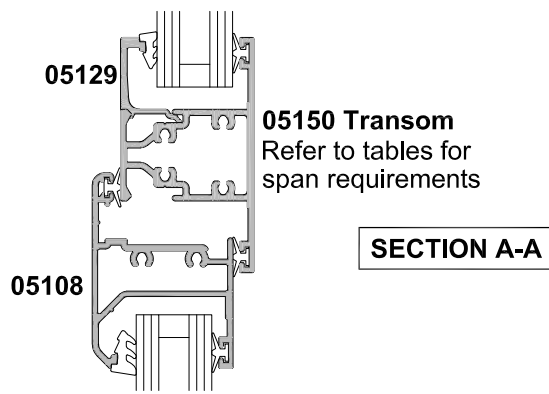
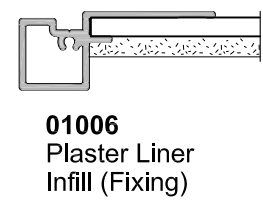
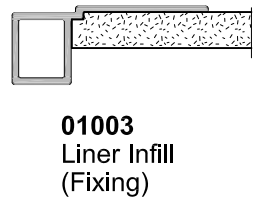
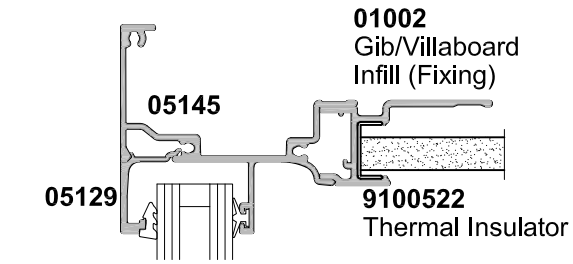


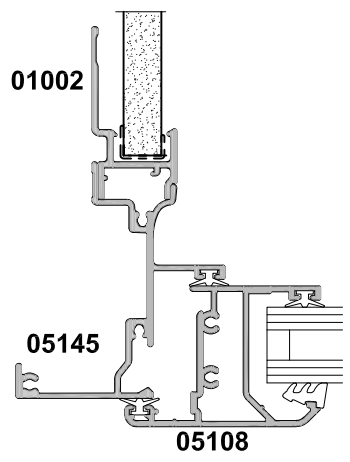
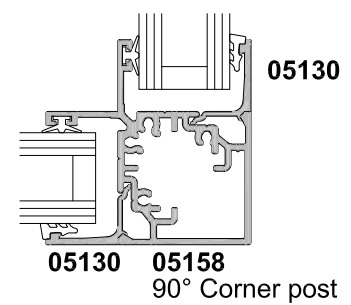
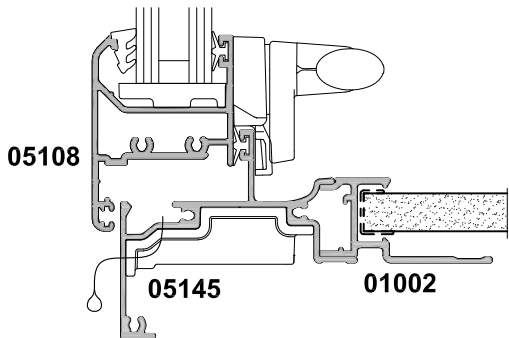
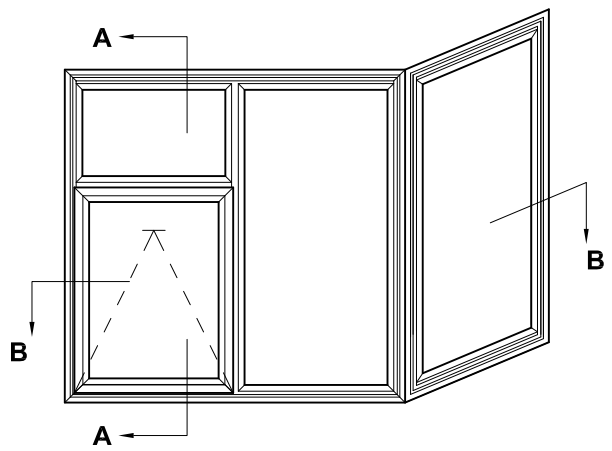
AWNING WINDOW
90° AND 135° CORNER POSTS AND LINER ADAPTORS

CROSS SECTION

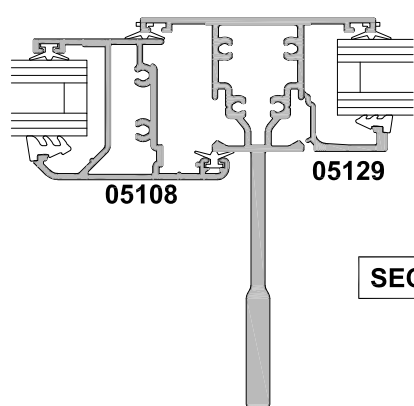
Date 01.04.19 Scale 1:2



SECTION A-A



05153 Mullion
Refer to tables for
span requirements



SECTION B-B

