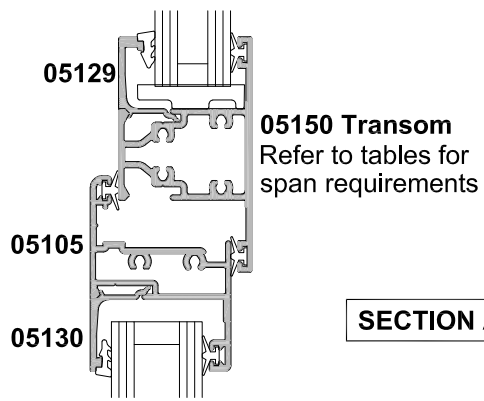
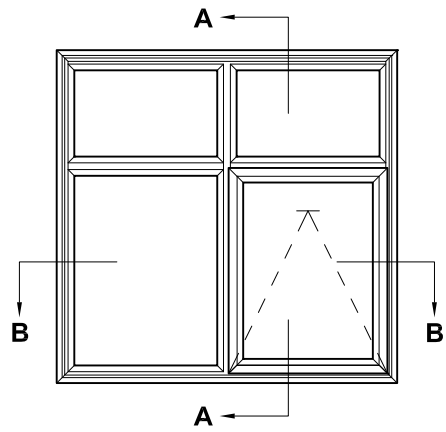
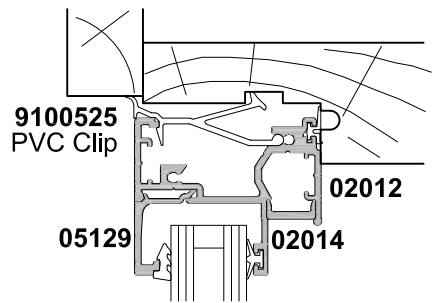


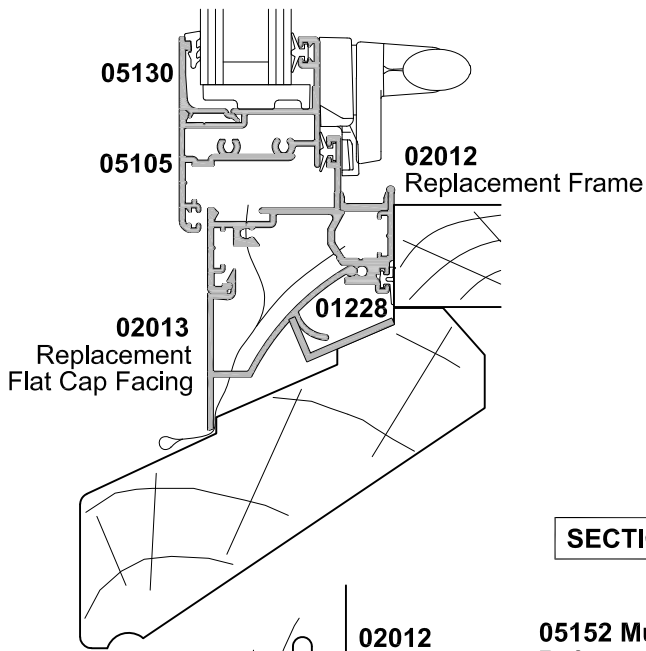
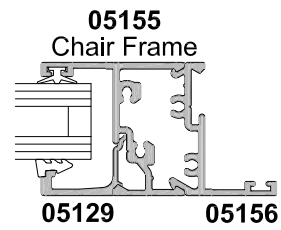
**AWNING WINDOW  
REPLACEMENT FRAME AND CHAIR FRAME**

**CROSS SECTION**

Date 01.04.19 Scale 1:2



**SECTION A-A**



**SECTION B-B**

