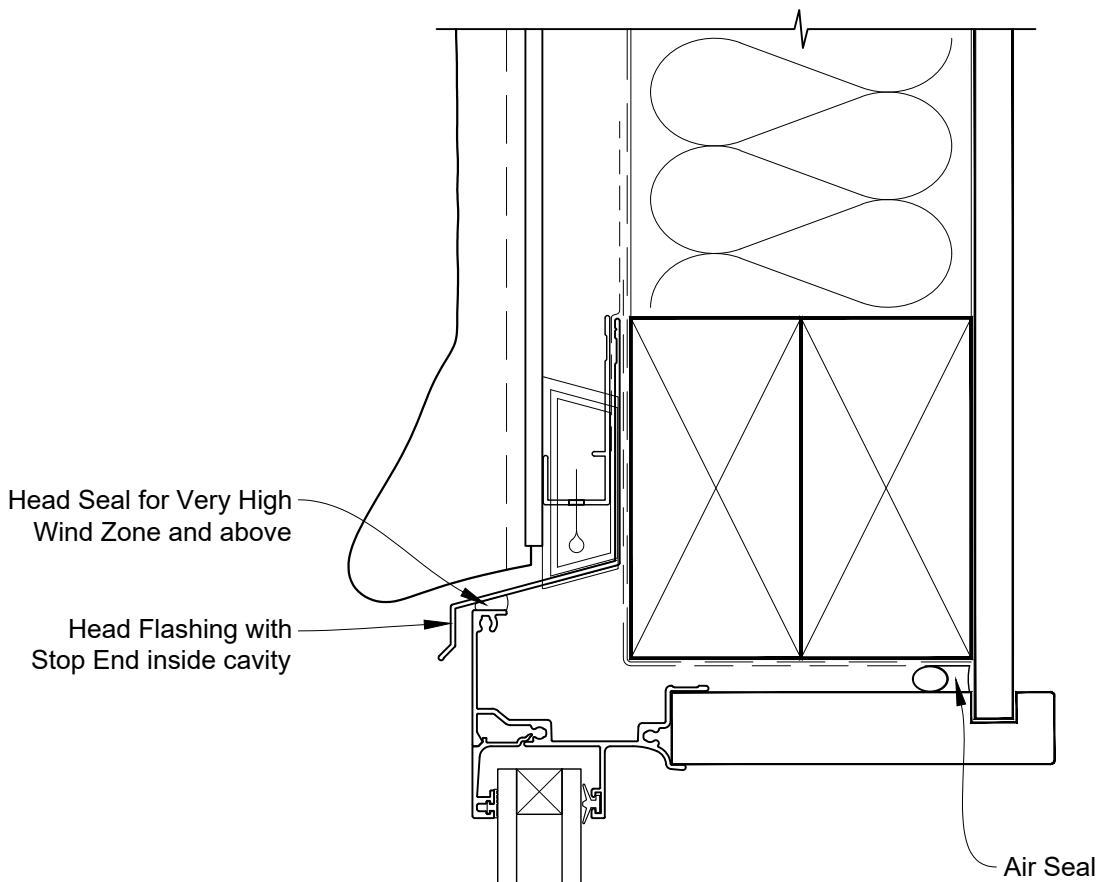


**INSTALLATION DETAIL - FIRST RESIDENTIAL
AWNING WINDOW ON STUCCO
CAVITY CONSTRUCTION**

Date: 01.04.19

Scale: 1:2

CAD Ref.: FRAWST-CH

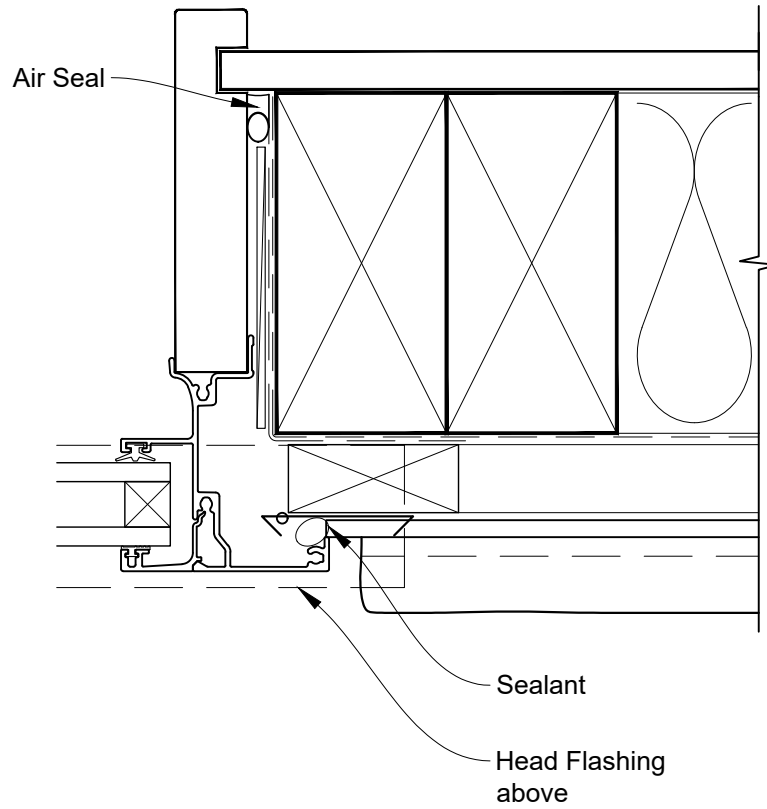


**INSTALLATION DETAIL - FIRST RESIDENTIAL
AWNING WINDOW ON STUCCO
CAVITY CONSTRUCTION**

Date: 01.04.19

Scale: 1:2

CAD Ref.: FRAWST-CJ

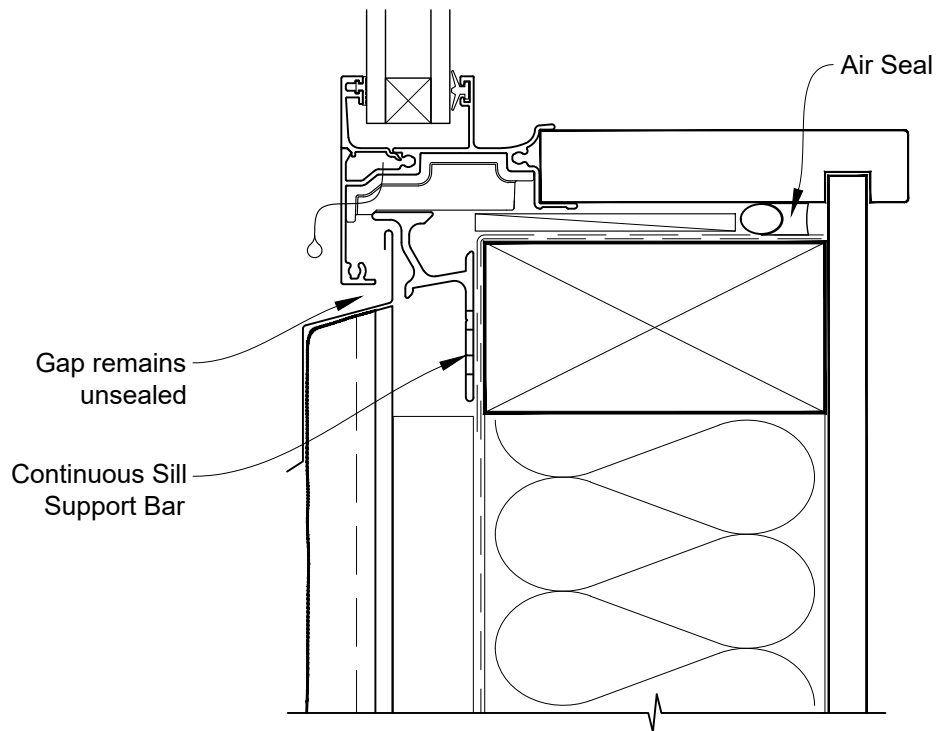


**INSTALLATION DETAIL - FIRST RESIDENTIAL
AWNING WINDOW ON STUCCO
CAVITY CONSTRUCTION**

Date: 01.04.19

Scale: 1:2

CAD Ref.: FRAWST-CS



**INSTALLATION DETAIL - FIRST RESIDENTIAL
AWNING WINDOW ON STUCCO
CAVITY CONSTRUCTION**

Date: 01.04.19

Scale: 1:2

CAD Ref.: FRAWST-CS2

