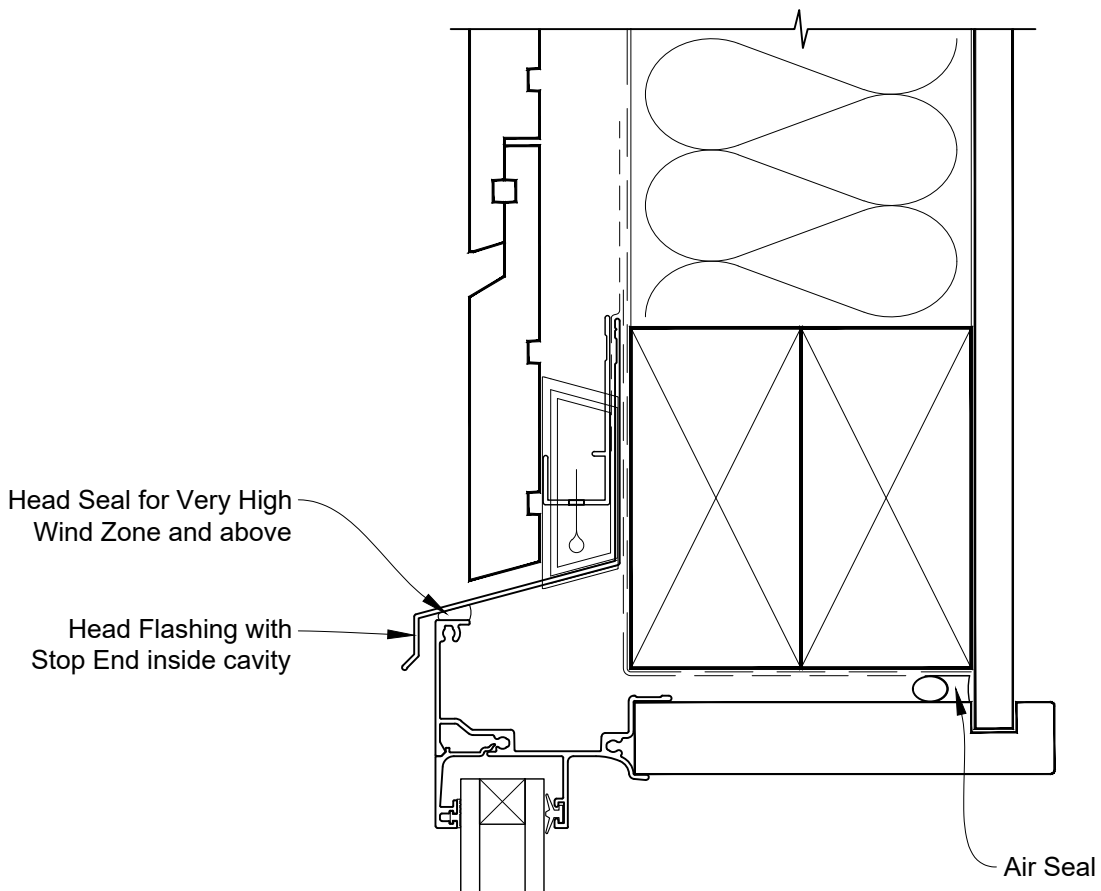


**INSTALLATION DETAIL - FIRST RESIDENTIAL  
AWNING WINDOW ON RUSTICATED WEATHERBOARD  
CAVITY CONSTRUCTION**

Date: 01.04.19

Scale: 1:2

CAD Ref.: FRAWRW-CH

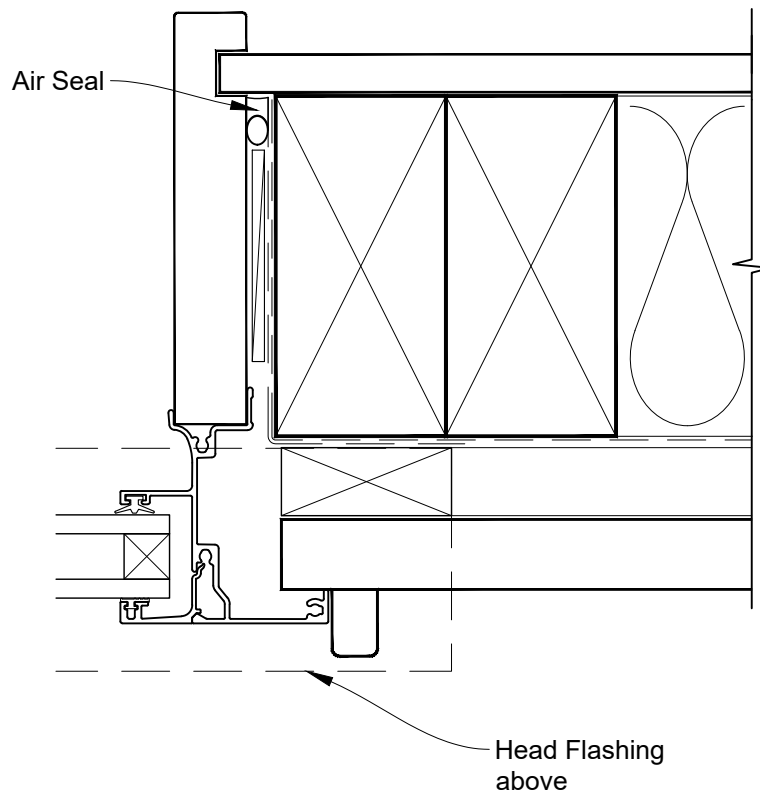


**INSTALLATION DETAIL - FIRST RESIDENTIAL  
AWNING WINDOW ON RUSTICATED WEATHERBOARD  
CAVITY CONSTRUCTION**

Date: 01.04.19

Scale: 1:2

CAD Ref.: FRAWRW-CJ

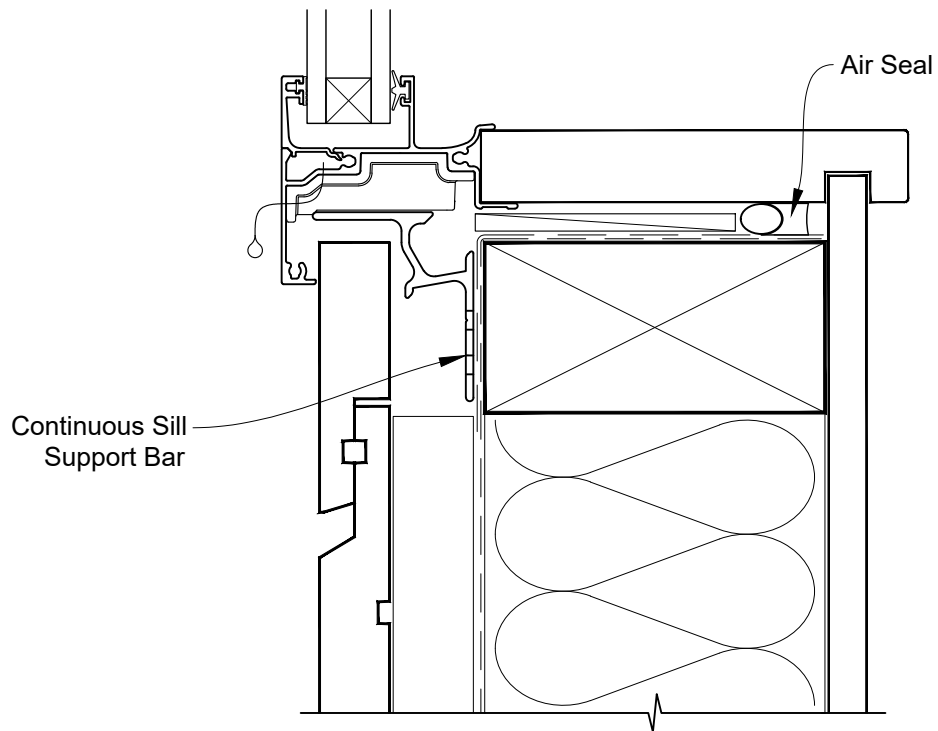


**INSTALLATION DETAIL - FIRST RESIDENTIAL  
AWNING WINDOW ON RUSTICATED WEATHERBOARD  
CAVITY CONSTRUCTION**

Date: 01.04.19

Scale: 1:2

CAD Ref.: FRAWRW-CS

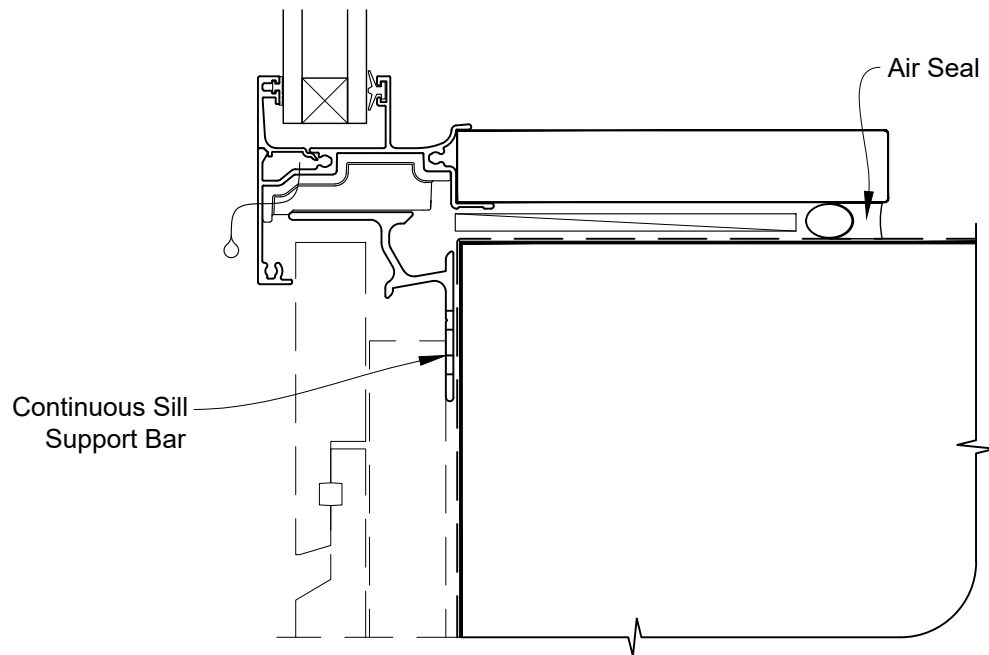


**INSTALLATION DETAIL - FIRST RESIDENTIAL  
AWNING WINDOW ON RUSTICATED WEATHERBOARD  
CAVITY CONSTRUCTION**

Date: 01.04.19

Scale: 1:2

CAD Ref.: FRAWRW-CS2

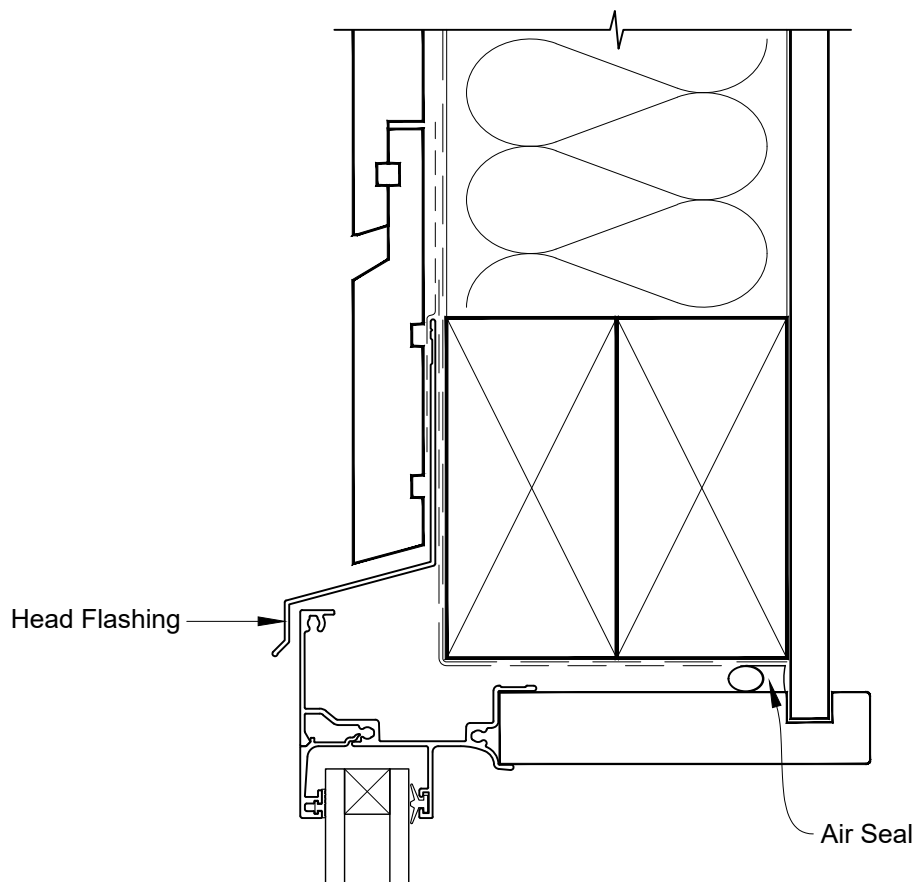


**INSTALLATION DETAIL - FIRST RESIDENTIAL  
AWNING WINDOW ON RUSTICATED WEATHERBOARD  
DIRECT FIXED CLADDING**

Date: 01.04.19

Scale: 1:2

CAD Ref.: FRAWRW-DH

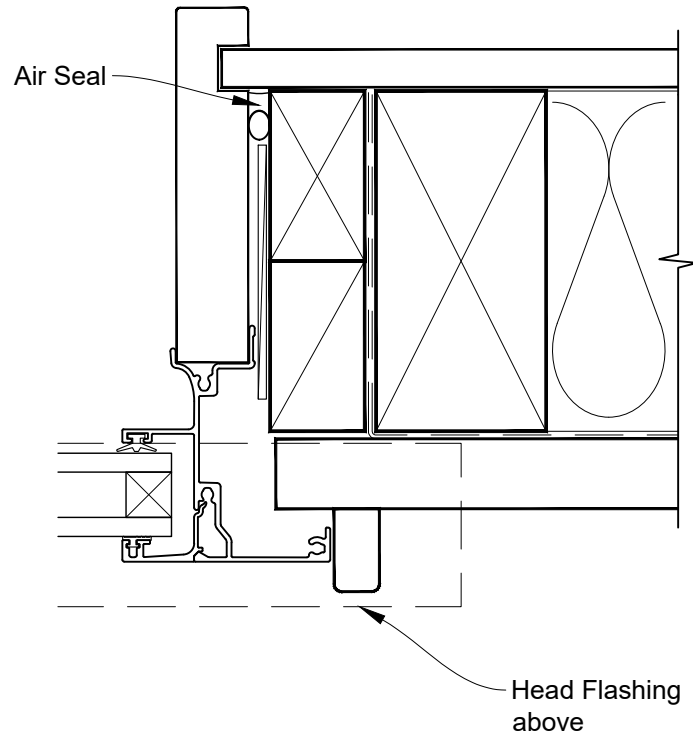


**INSTALLATION DETAIL - FIRST RESIDENTIAL  
AWNING WINDOW ON RUSTICATED WEATHERBOARD  
DIRECT FIXED CLADDING**

Date: 01.04.19

Scale: 1:2

CAD Ref.: FRAWRW-DJ

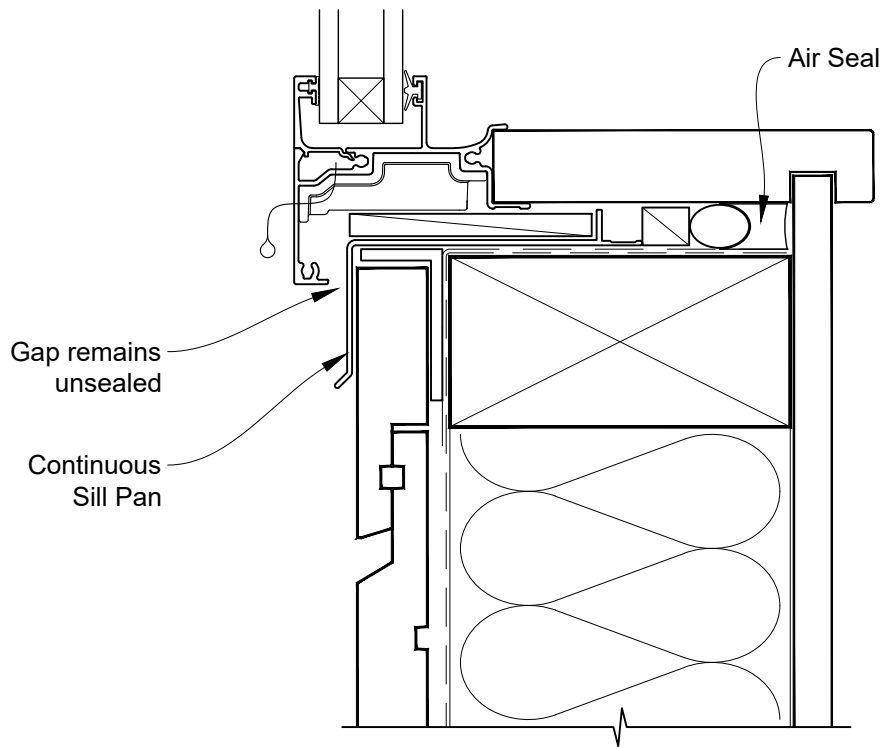


**INSTALLATION DETAIL - FIRST RESIDENTIAL  
AWNING WINDOW ON RUSTICATED WEATHERBOARD  
DIRECT FIXED CLADDING**

Date: 01.04.19

Scale: 1:2

CAD Ref.: FRAWRW-DS



**INSTALLATION DETAIL - FIRST RESIDENTIAL  
AWNING WINDOW ON RUSTICATED WEATHERBOARD  
DIRECT FIXED CLADDING**

Date: 01.04.19

Scale: 1:2

CAD Ref.: FRAWRW-DS2

