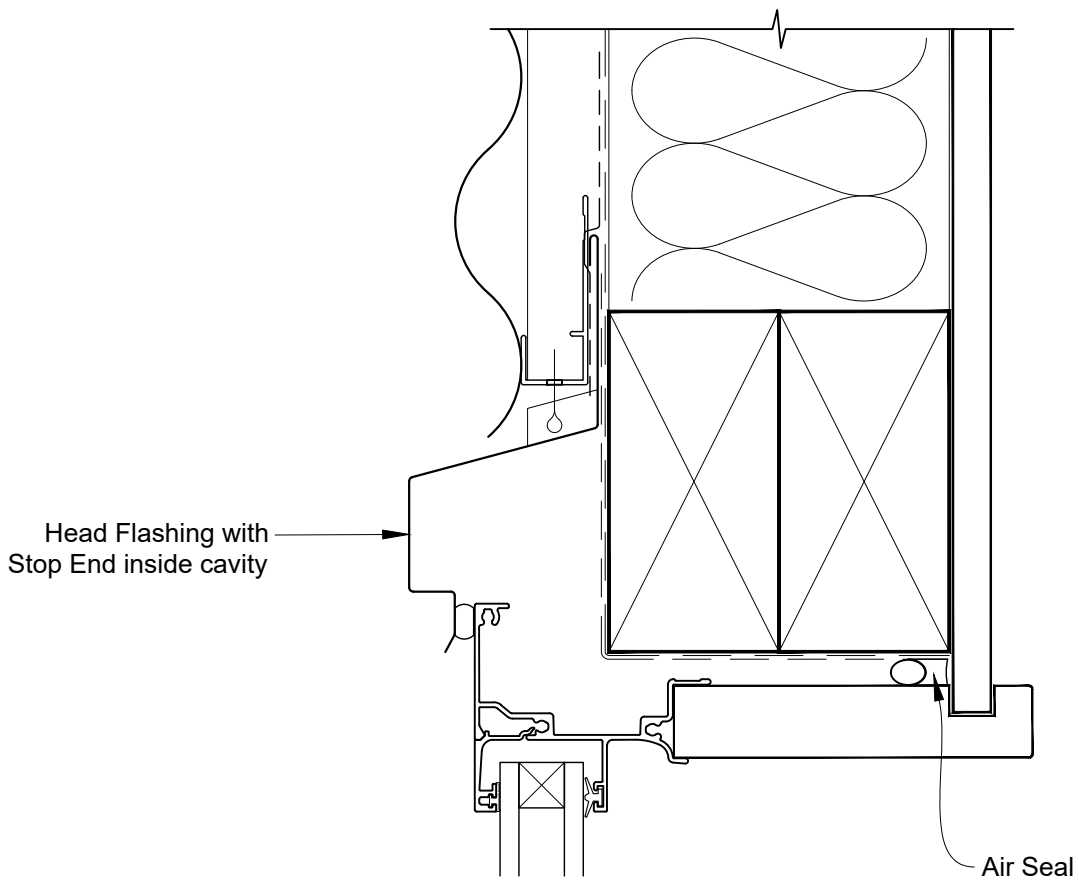


**INSTALLATION DETAIL - FIRST RESIDENTIAL  
AWNING WINDOW ON PROFILE METAL  
CAVITY CONSTRUCTION**

Date: 01.04.19

Scale: 1:2

CAD Ref.: FRAWPM-CH

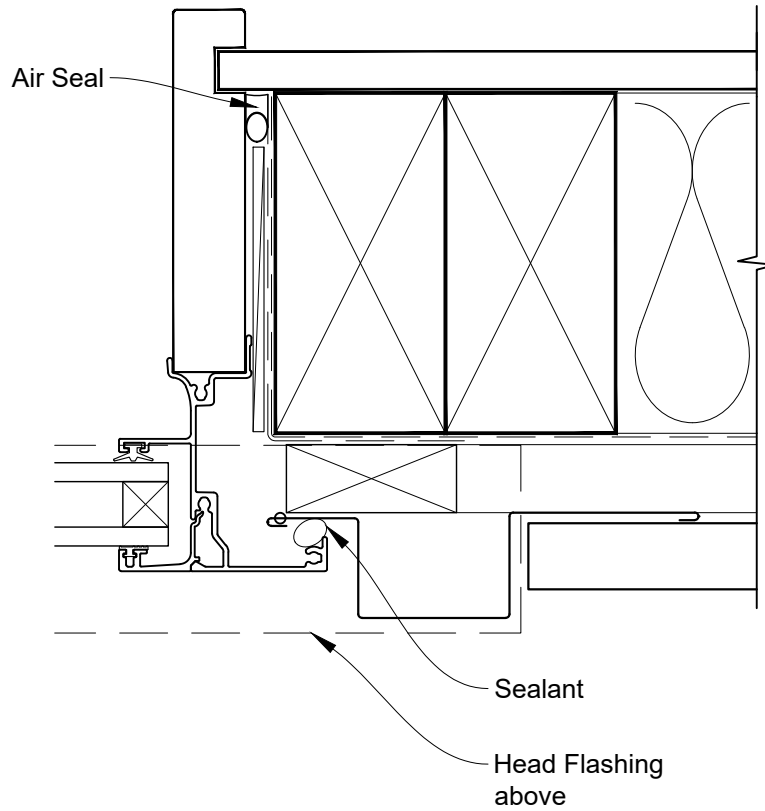


**INSTALLATION DETAIL - FIRST RESIDENTIAL  
AWNING WINDOW ON PROFILE METAL  
CAVITY CONSTRUCTION**

Date: 01.04.19

Scale: 1:2

CAD Ref.: FRAWPM-CJ

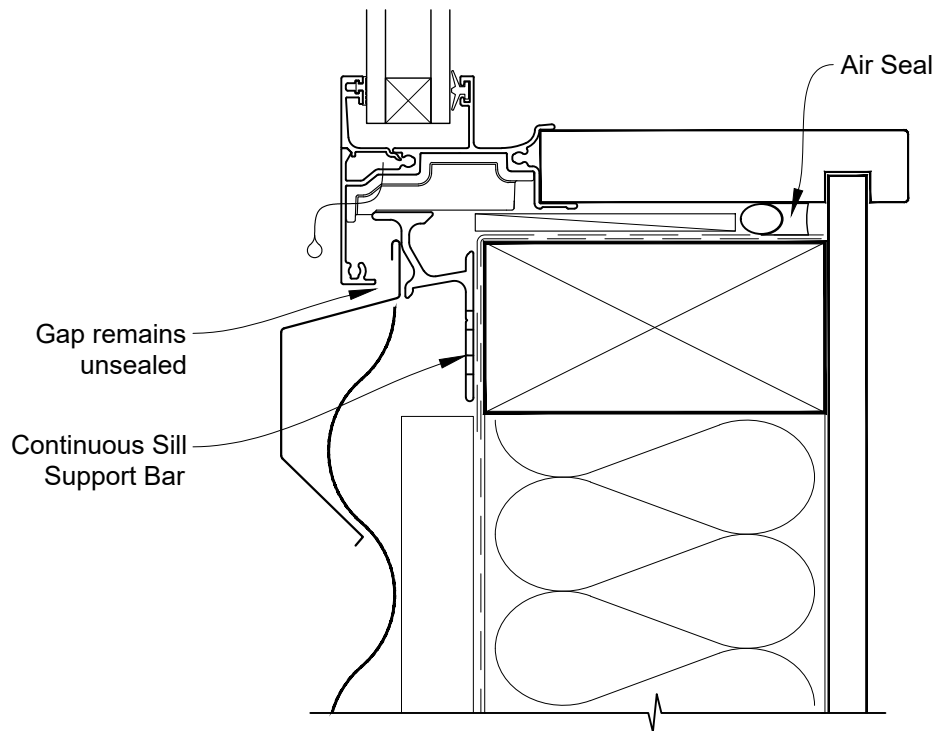


**INSTALLATION DETAIL - FIRST RESIDENTIAL  
AWNING WINDOW ON PROFILE METAL  
CAVITY CONSTRUCTION**

Date: 01.04.19

Scale: 1:2

CAD Ref.: FRAWPM-CS

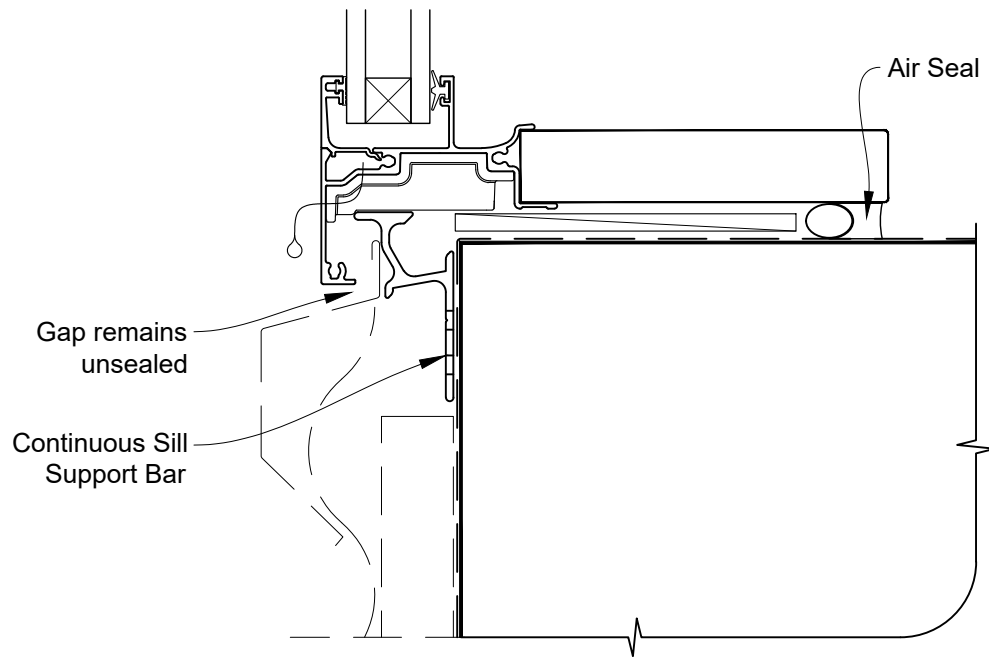


**INSTALLATION DETAIL - FIRST RESIDENTIAL  
AWNING WINDOW ON PROFILE METAL  
CAVITY CONSTRUCTION**

Date: 01.04.19

Scale: 1:2

CAD Ref.: FRAWPM-CS2

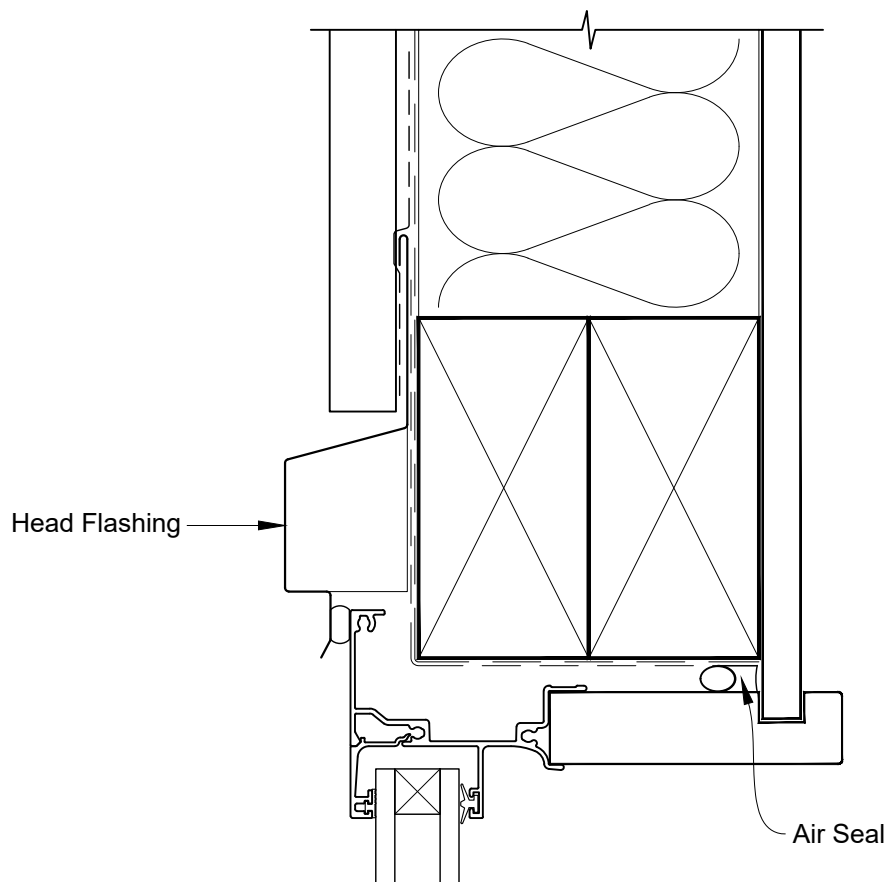


**INSTALLATION DETAIL - FIRST RESIDENTIAL  
AWNING WINDOW ON PROFILE METAL  
DIRECT FIXED CLADDING**

Date: 01.04.19

Scale: 1:2

CAD Ref.: FRAWPM-DH

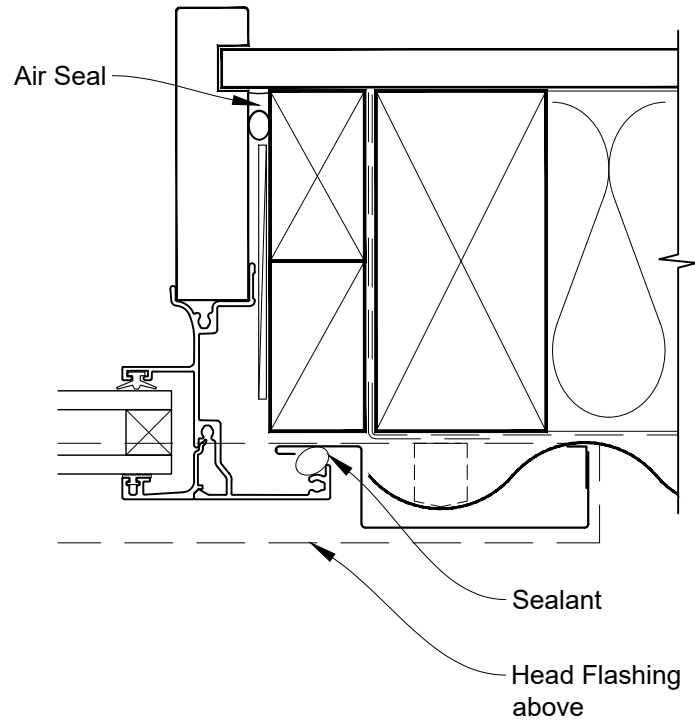


**INSTALLATION DETAIL - FIRST RESIDENTIAL  
AWNING WINDOW ON PROFILE METAL  
DIRECT FIXED CLADDING**

Date: 01.04.19

Scale: 1:2

CAD Ref.: FRAWPM-DJ

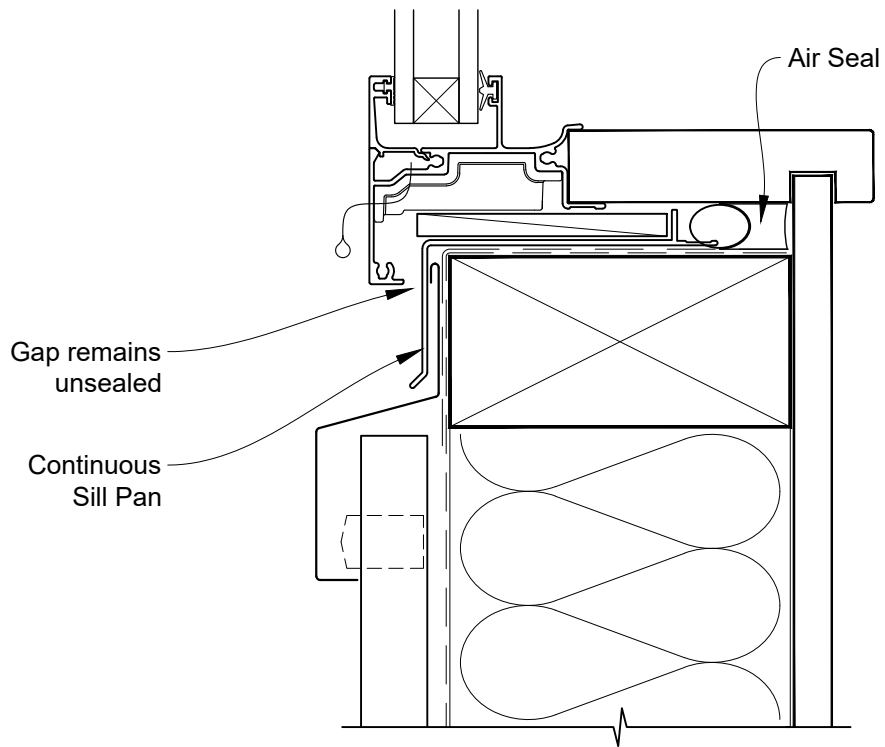


**INSTALLATION DETAIL - FIRST RESIDENTIAL  
AWNING WINDOW ON PROFILE METAL  
DIRECT FIXED CLADDING**

Date: 01.04.19

Scale: 1:2

CAD Ref.: FRAWPM-DS



**INSTALLATION DETAIL - FIRST RESIDENTIAL  
AWNING WINDOW ON PROFILE METAL  
DIRECT FIXED CLADDING**

Date: 01.04.19

Scale: 1:2

CAD Ref.: FRAWPM-DS2

