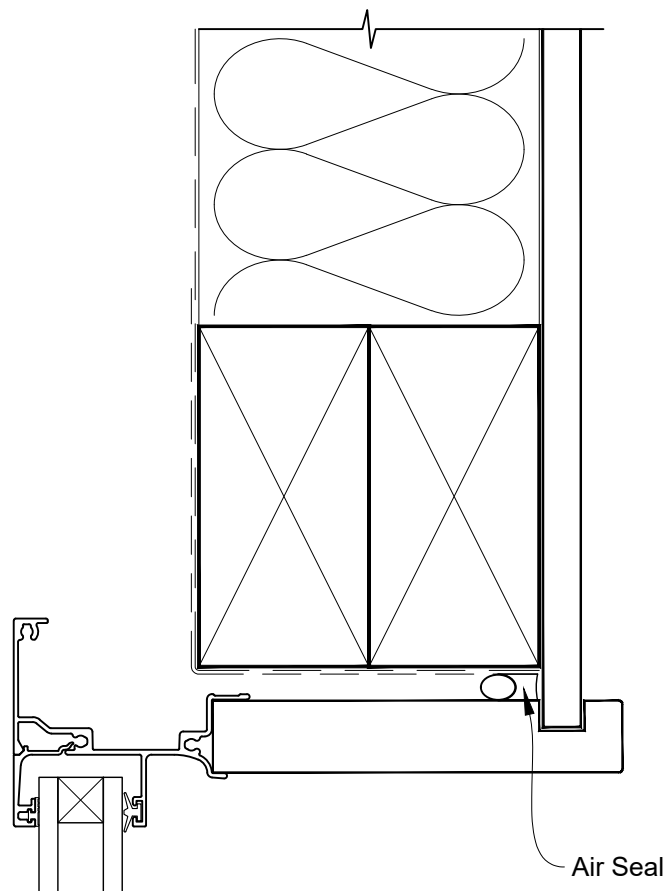


**INSTALLATION DETAIL - FIRST RESIDENTIAL
AWNING WINDOW ON NO CLADDING
CAVITY CONSTRUCTION**

Date: 01.04.19

Scale: 1:2

CAD Ref.: FRAWNC-CH

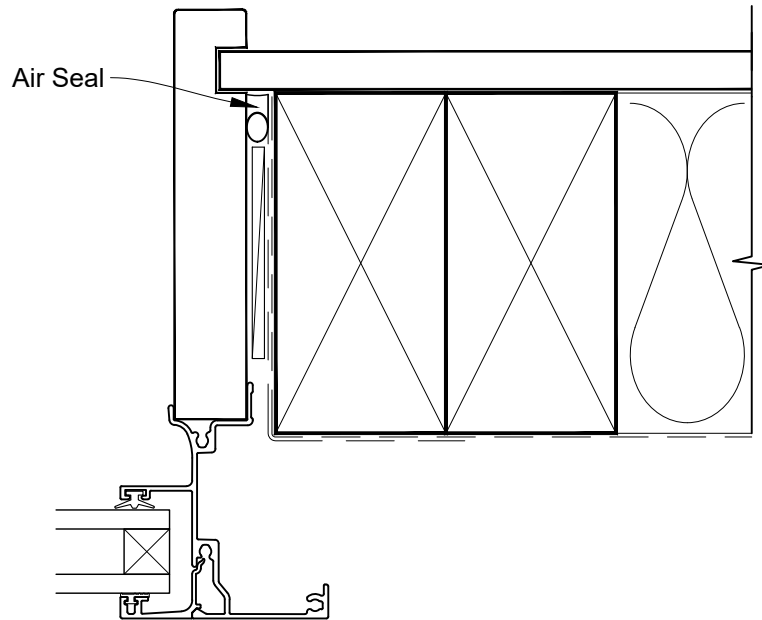


**INSTALLATION DETAIL - FIRST RESIDENTIAL
AWNING WINDOW ON NO CLADDING
CAVITY CONSTRUCTION**

Date: 01.04.19

Scale: 1:2

CAD Ref.: FRAWNC-CJ

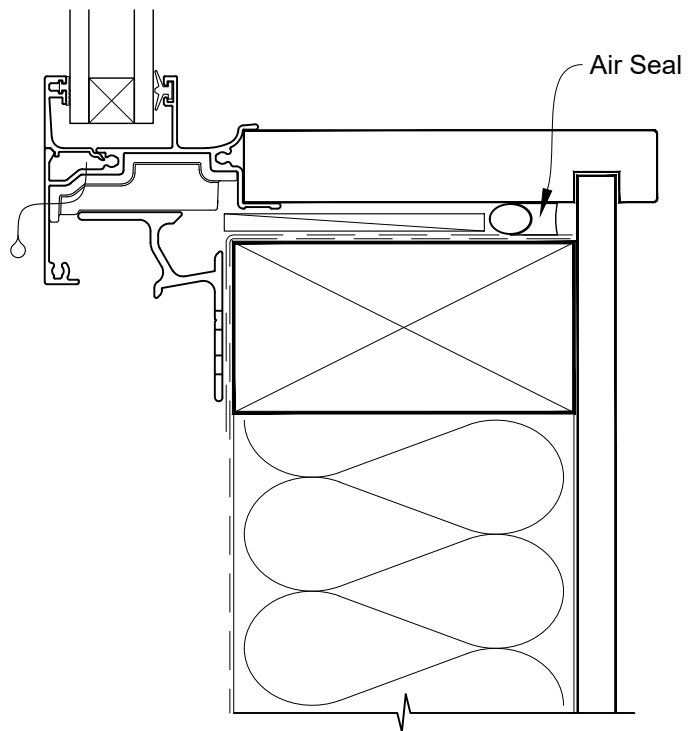


**INSTALLATION DETAIL - FIRST RESIDENTIAL
AWNING WINDOW ON NO CLADDING
CAVITY CONSTRUCTION**

Date: 01.04.19

Scale: 1:2

CAD Ref.: FRAWNC-CS

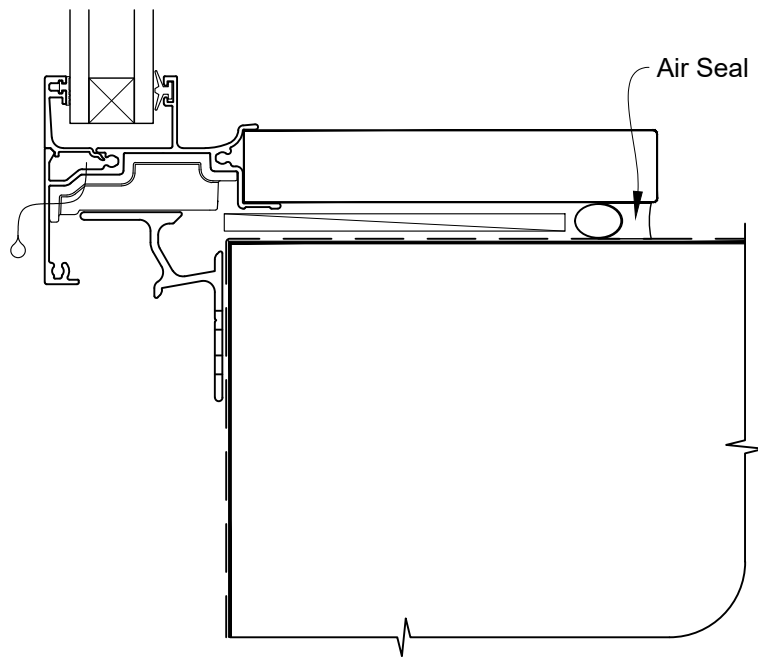


**INSTALLATION DETAIL - FIRST RESIDENTIAL
AWNING WINDOW ON NO CLADDING
CAVITY CONSTRUCTION**

Date: 01.04.19

Scale: 1:2

CAD Ref.: FRAWNC-CS2

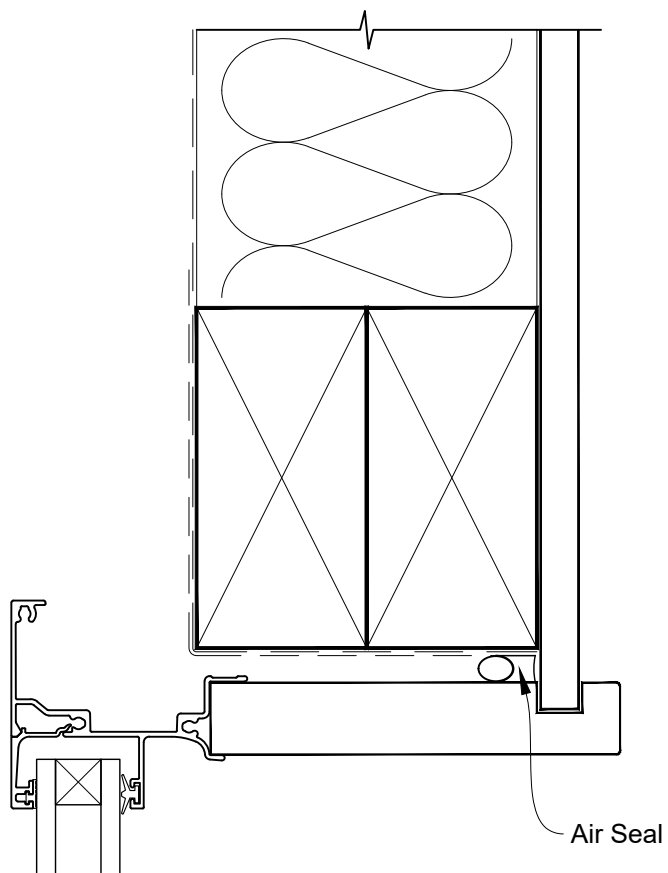


**INSTALLATION DETAIL - FIRST RESIDENTIAL
AWNING WINDOW ON NO CLADDING
DIRECT FIXED CLADDING**

Date: 01.04.19

Scale: 1:2

CAD Ref.: FRAWNC-DH

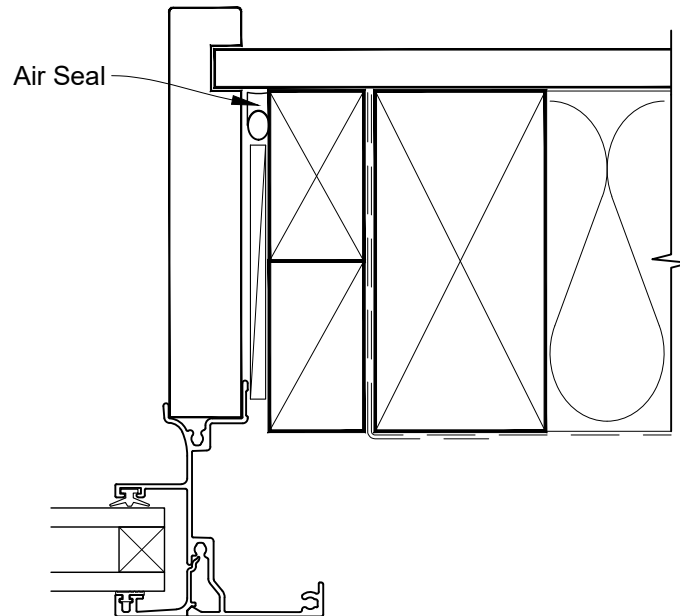


**INSTALLATION DETAIL - FIRST RESIDENTIAL
AWNING WINDOW ON NO CLADDING
DIRECT FIXED CLADDING**

Date: 01.04.19

Scale: 1:2

CAD Ref.: FRAWNC-DJ

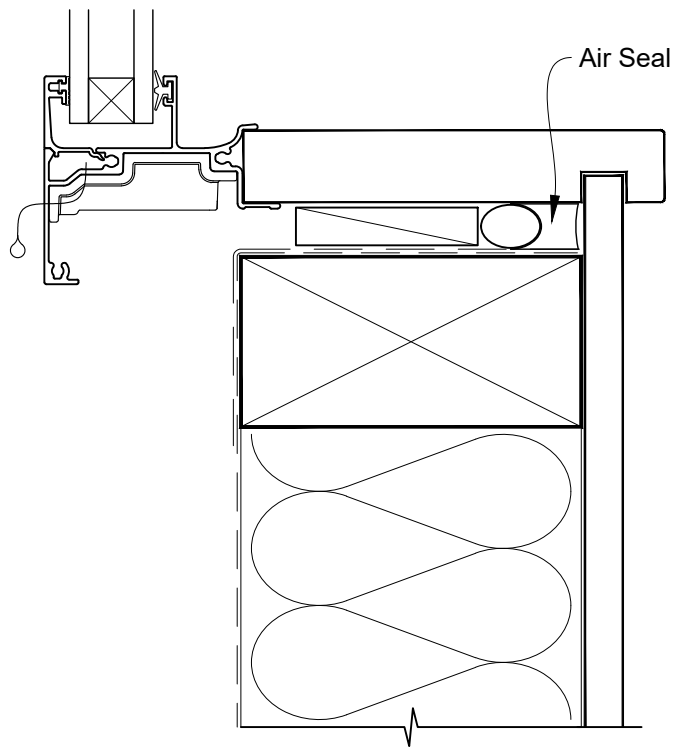


**INSTALLATION DETAIL - FIRST RESIDENTIAL
AWNING WINDOW ON NO CLADDING
DIRECT FIXED CLADDING**

Date: 01.04.19

Scale: 1:2

CAD Ref.: FRAWNC-DS



**INSTALLATION DETAIL - FIRST RESIDENTIAL
AWNING WINDOW ON NO CLADDING
DIRECT FIXED CLADDING**

Date: 01.04.19

Scale: 1:2

CAD Ref.: FRAWNC-DS2

