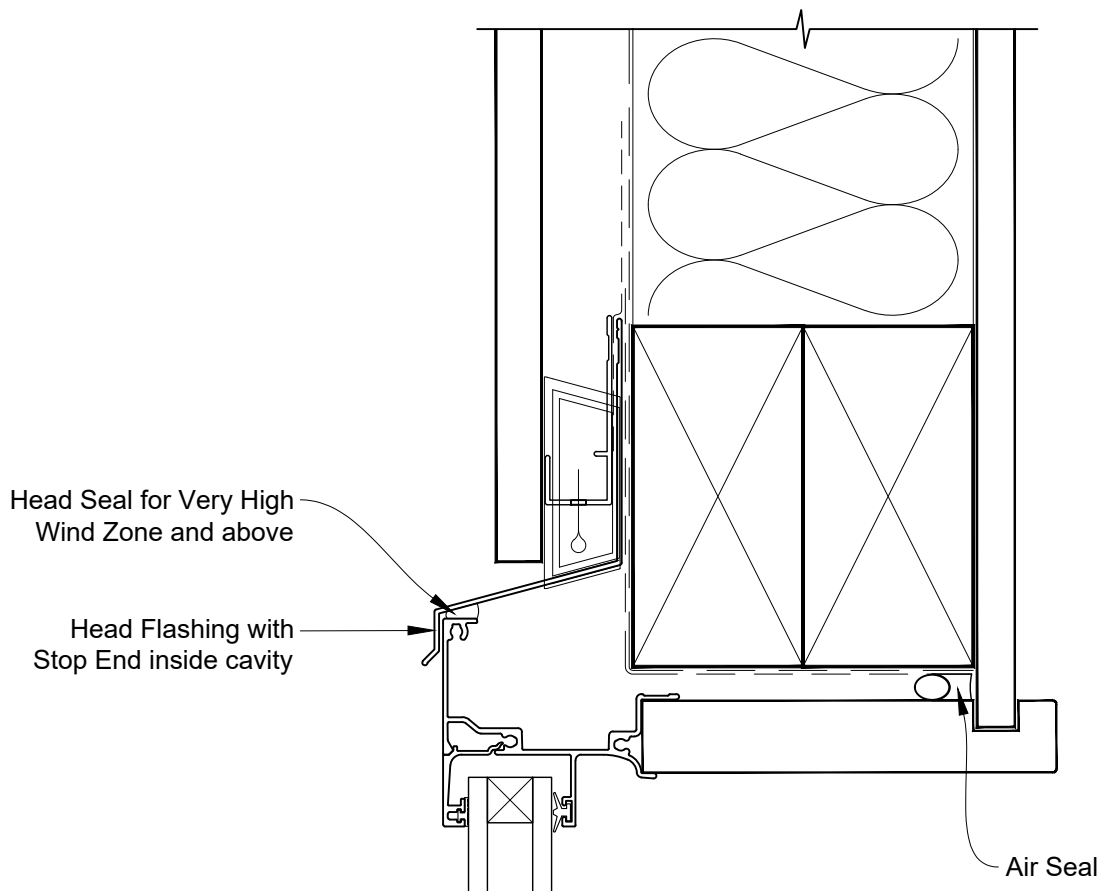


**INSTALLATION DETAIL - FIRST RESIDENTIAL
AWNING WINDOW ON FLAT SHEET
CAVITY CONSTRUCTION**

Date: 01.04.19

Scale: 1:2

CAD Ref.: FRAWFS-CH

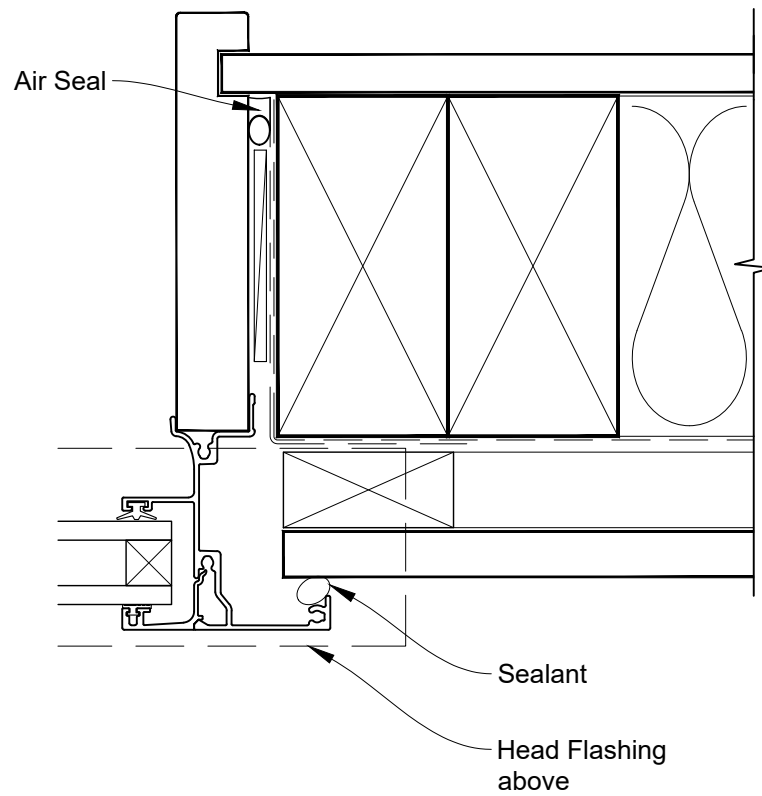


**INSTALLATION DETAIL - FIRST RESIDENTIAL
AWNING WINDOW ON FLAT SHEET
CAVITY CONSTRUCTION**

Date: 01.04.19

Scale: 1:2

CAD Ref.: FRAWFS-CJ

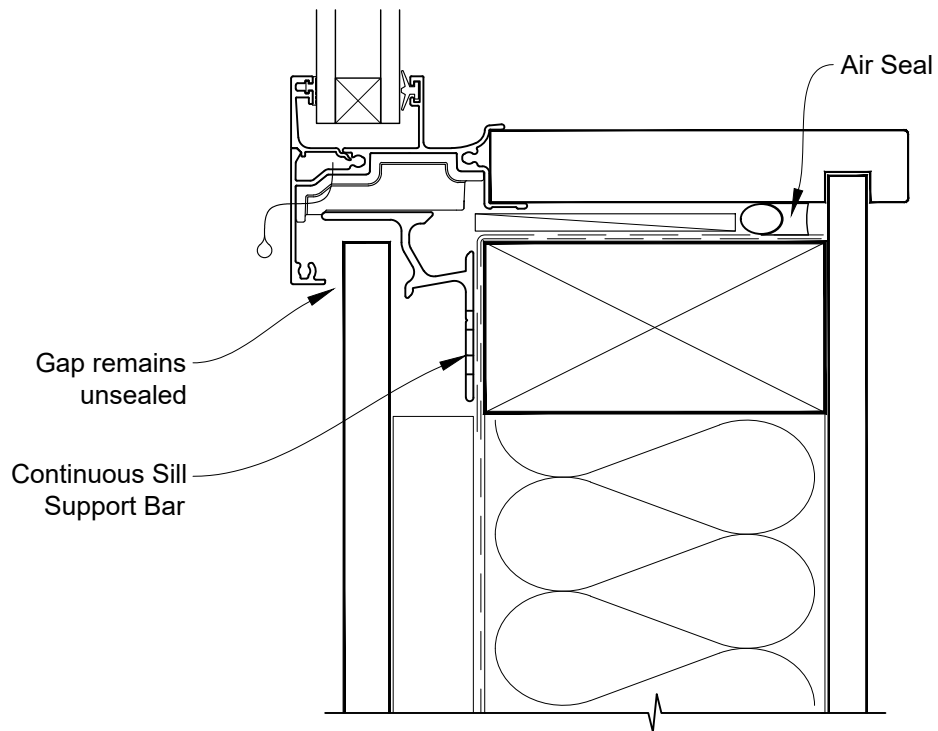


**INSTALLATION DETAIL - FIRST RESIDENTIAL
AWNING WINDOW ON FLAT SHEET
CAVITY CONSTRUCTION**

Date: 01.04.19

Scale: 1:2

CAD Ref.: FRAWFS-CS

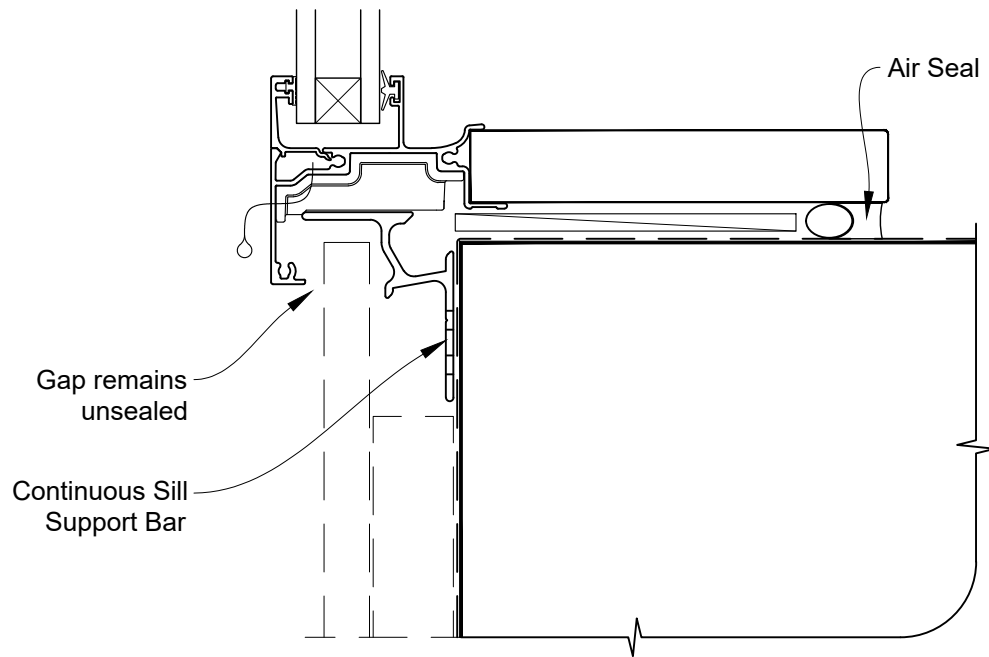


**INSTALLATION DETAIL - FIRST RESIDENTIAL
AWNING WINDOW ON FLAT SHEET
CAVITY CONSTRUCTION**

Date: 01.04.19

Scale: 1:2

CAD Ref.: FRAWFS-CS2

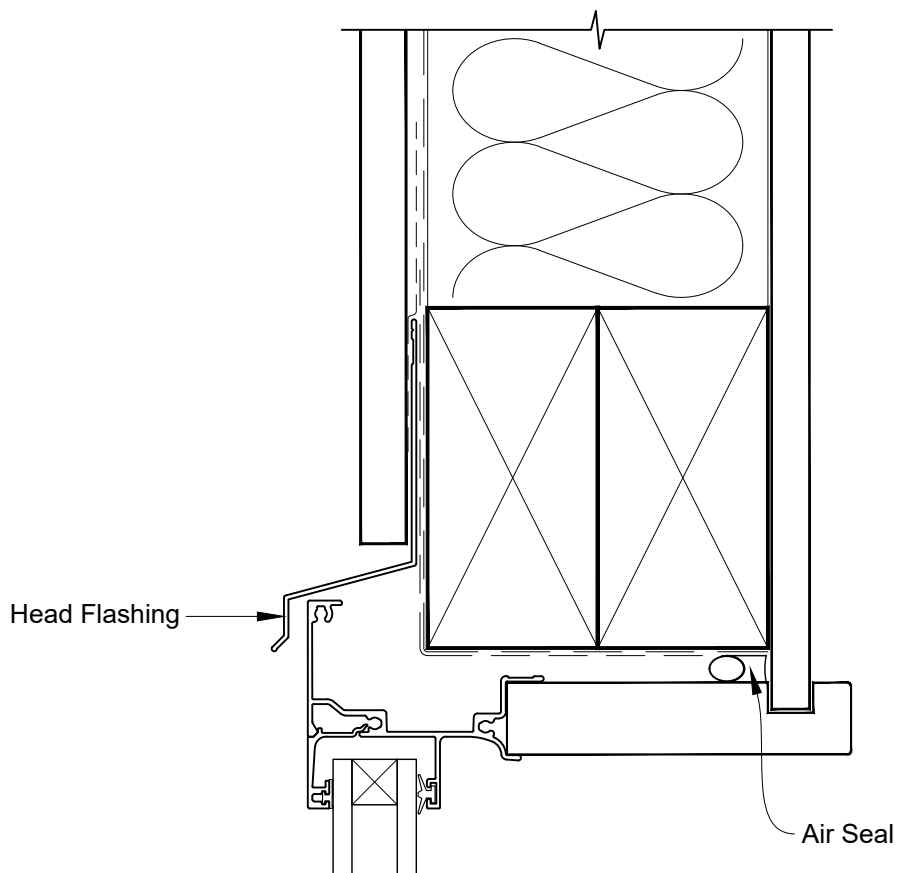


**INSTALLATION DETAIL - FIRST RESIDENTIAL
AWNING WINDOW ON FLAT SHEET
DIRECT FIXED CLADDING**

Date: 01.04.19

Scale: 1:2

CAD Ref.: FRAWFS-DH

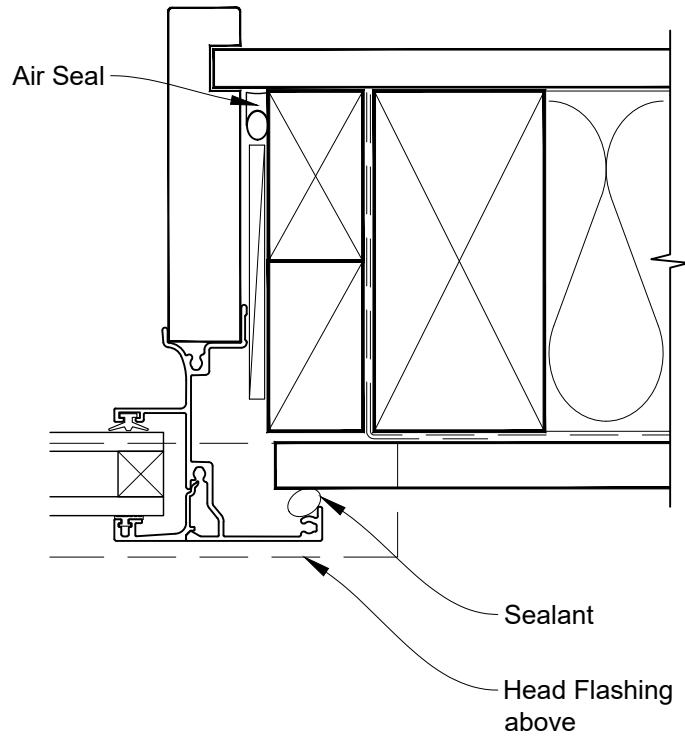


**INSTALLATION DETAIL - FIRST RESIDENTIAL
AWNING WINDOW ON FLAT SHEET
DIRECT FIXED CLADDING**

Date: 01.04.19

Scale: 1:2

CAD Ref.: FRAWFS-DJ

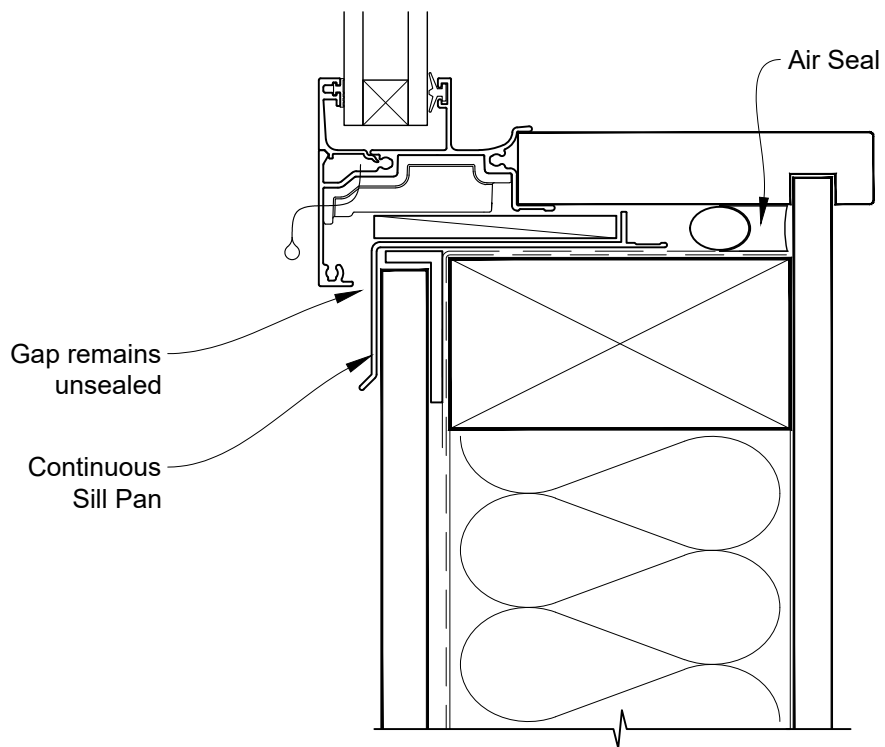


**INSTALLATION DETAIL - FIRST RESIDENTIAL
AWNING WINDOW ON FLAT SHEET
DIRECT FIXED CLADDING**

Date: 01.04.19

Scale: 1:2

CAD Ref.: FRAWFS-DS



**INSTALLATION DETAIL - FIRST RESIDENTIAL
AWNING WINDOW ON FLAT SHEET
DIRECT FIXED CLADDING**

Date: 01.04.19

Scale: 1:2

CAD Ref.: FRAWFS-DS2

