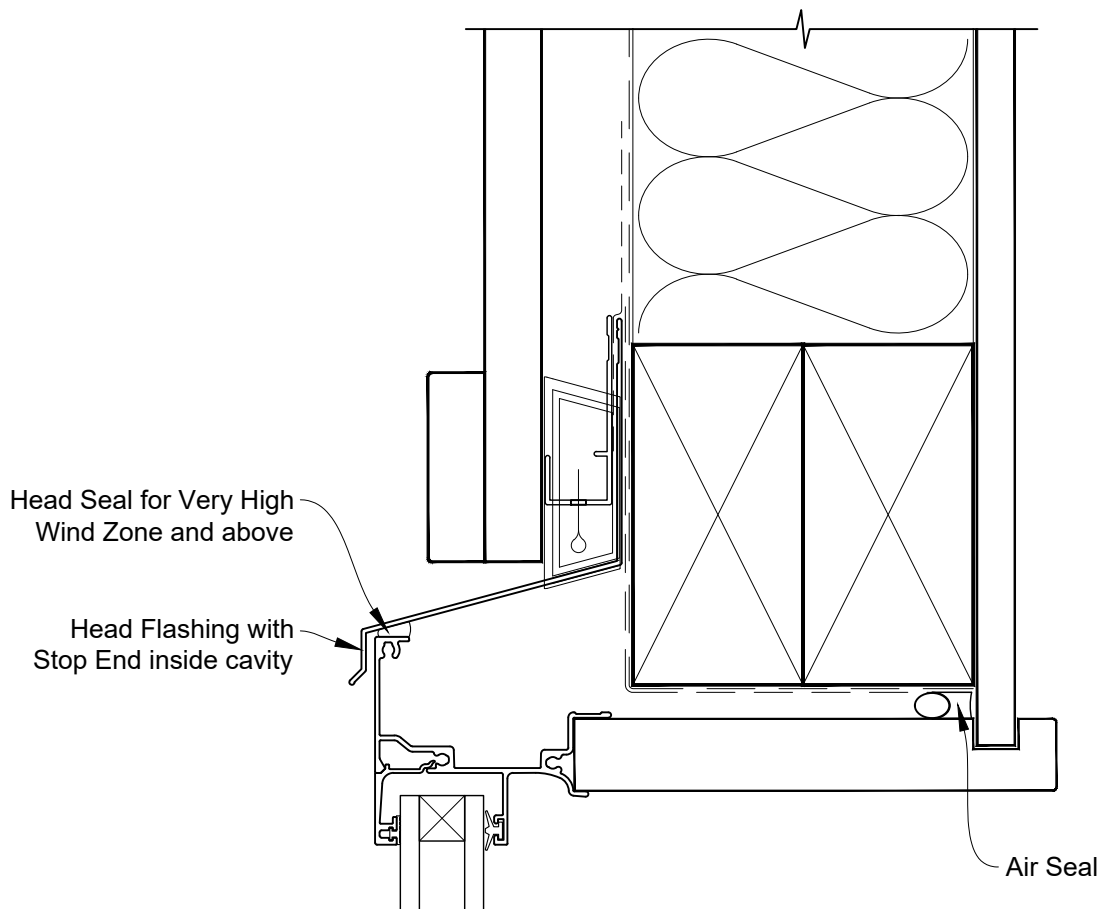


**INSTALLATION DETAIL - FIRST RESIDENTIAL
AWNING WINDOW ON BOARD & BATTEN
CAVITY CONSTRUCTION**

Date: 01.04.19

Scale: 1:2

CAD Ref.: FRAWBB-CH

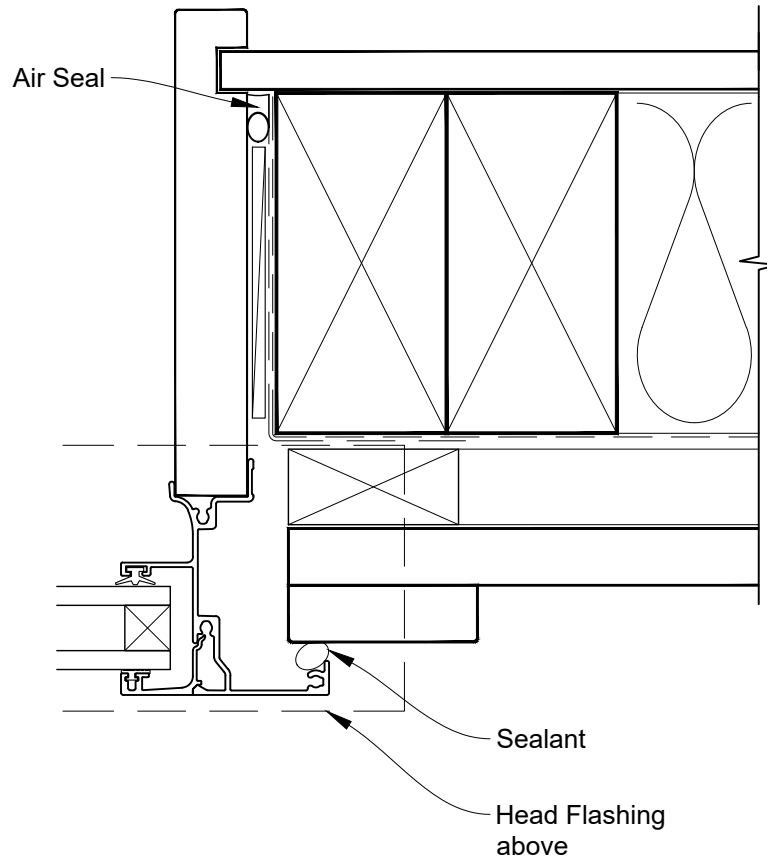


**INSTALLATION DETAIL - FIRST RESIDENTIAL
AWNING WINDOW ON BOARD & BATTEN
CAVITY CONSTRUCTION**

Date: 01.04.19

Scale: 1:2

CAD Ref.: FRAWBB-CJ

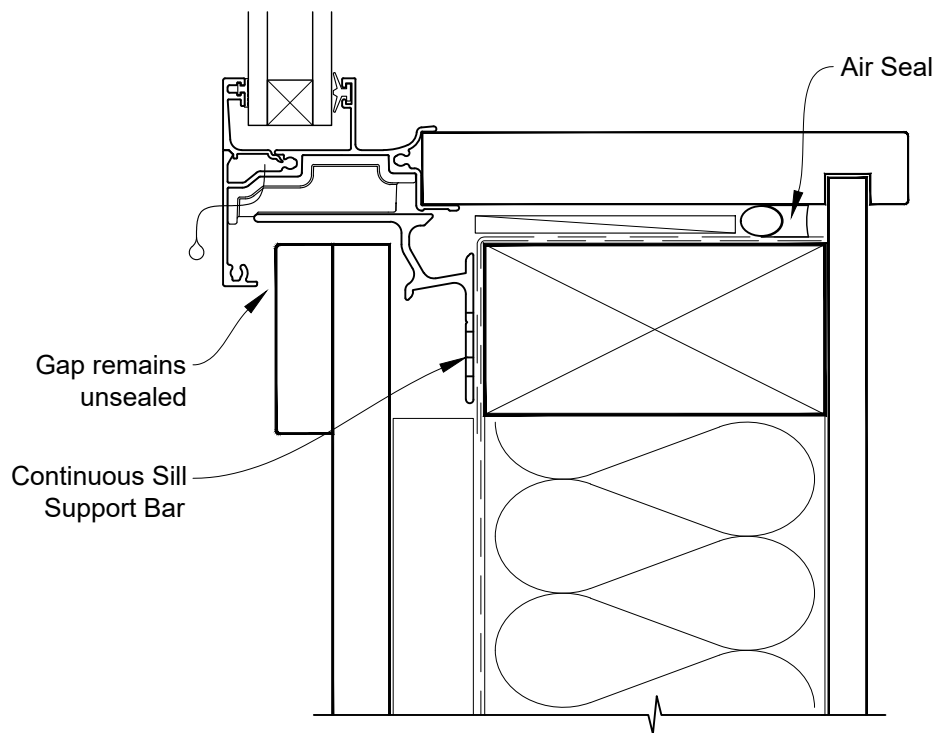


**INSTALLATION DETAIL - FIRST RESIDENTIAL
AWNING WINDOW ON BOARD & BATTEN
CAVITY CONSTRUCTION**

Date: 01.04.19

Scale: 1:2

CAD Ref.: FRAWBB-CS

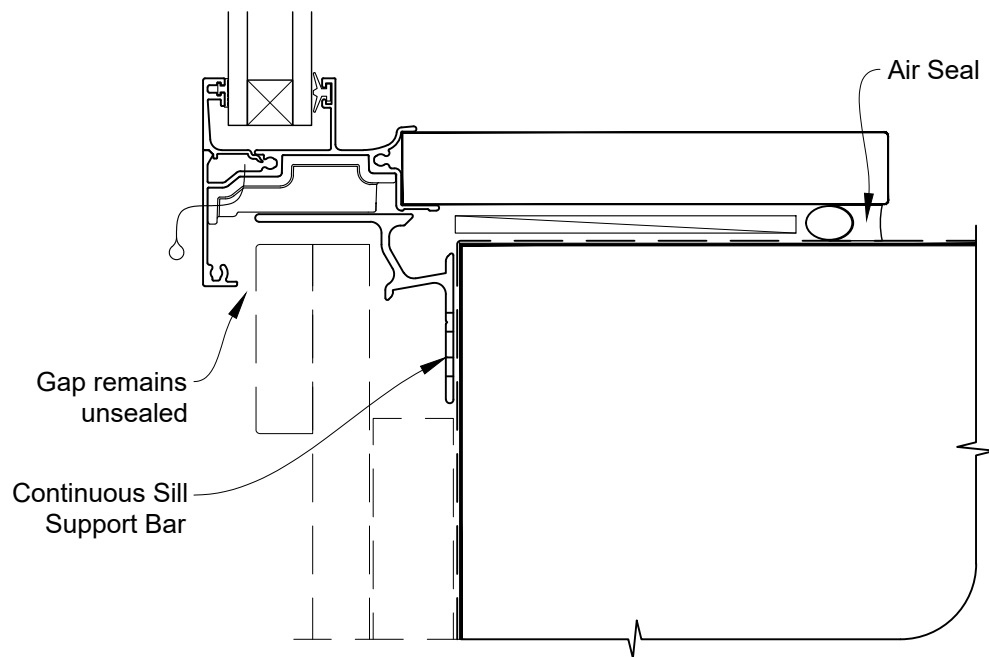


**INSTALLATION DETAIL - FIRST RESIDENTIAL
AWNING WINDOW ON BOARD & BATTEN
CAVITY CONSTRUCTION**

Date: 01.04.19

Scale: 1:2

CAD Ref.: FRAWBB-CS2

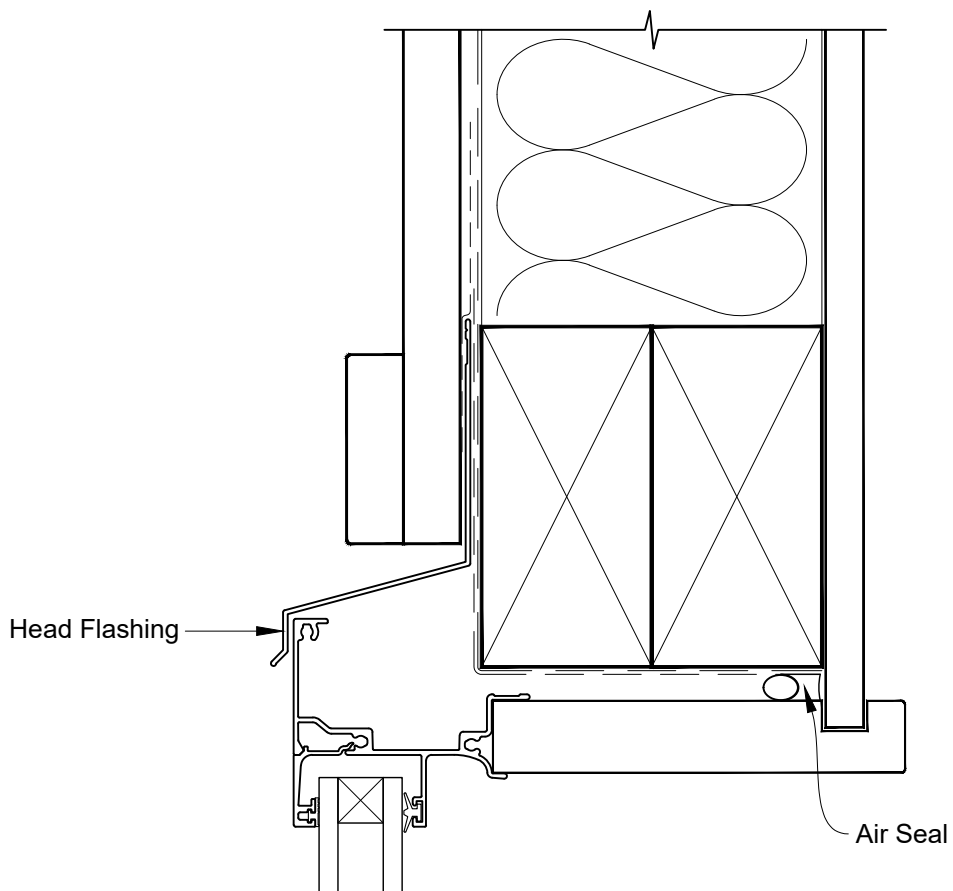


**INSTALLATION DETAIL - FIRST RESIDENTIAL
AWNING WINDOW ON BOARD & BATTEN
DIRECT FIXED CLADDING**

Date: 01.04.19

Scale: 1:2

CAD Ref.: FRAWBB-DH

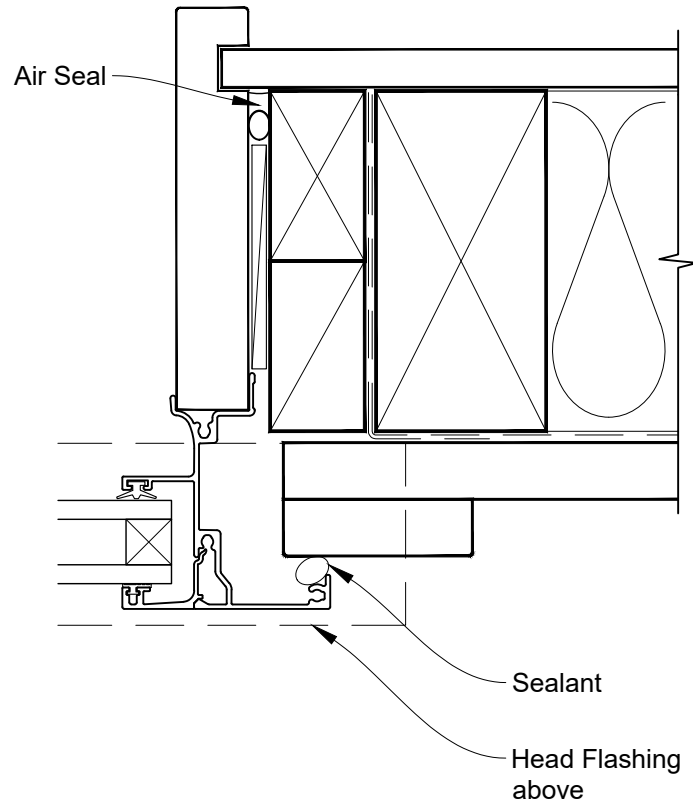


**INSTALLATION DETAIL - FIRST RESIDENTIAL
AWNING WINDOW ON BOARD & BATTEN
DIRECT FIXED CLADDING**

Date: 01.04.19

Scale: 1:2

CAD Ref.: FRAWBB-DJ

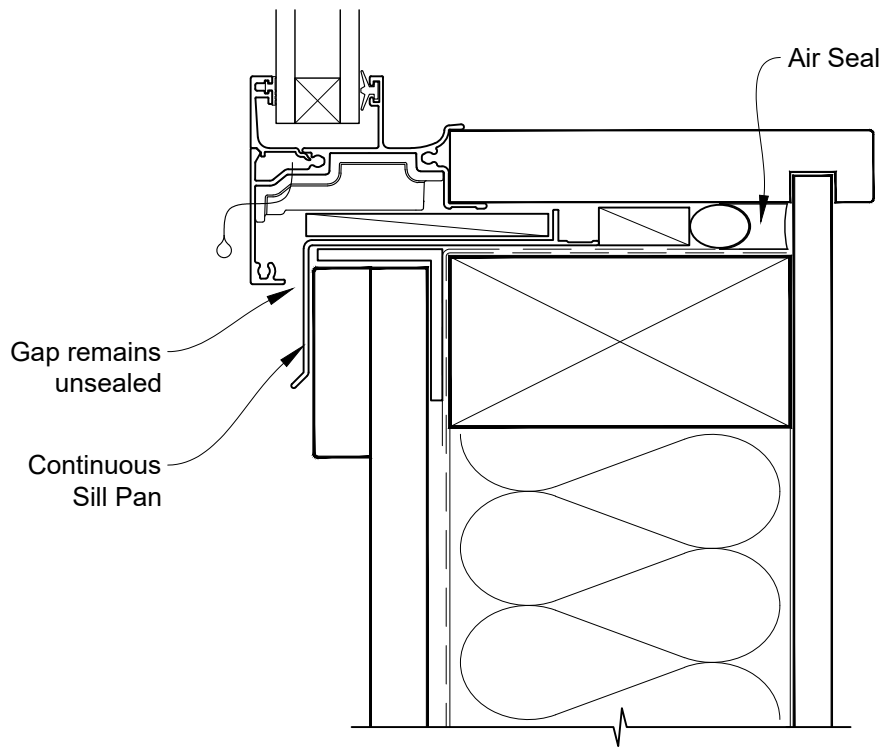


**INSTALLATION DETAIL - FIRST RESIDENTIAL
AWNING WINDOW ON BOARD & BATTEN
DIRECT FIXED CLADDING**

Date: 01.04.19

Scale: 1:2

CAD Ref.: FRAWBB-DS



**INSTALLATION DETAIL - FIRST RESIDENTIAL
AWNING WINDOW ON BOARD & BATTEN
DIRECT FIXED CLADDING**

Date: 01.04.19

Scale: 1:2

CAD Ref.: FRAWBB-DS2

