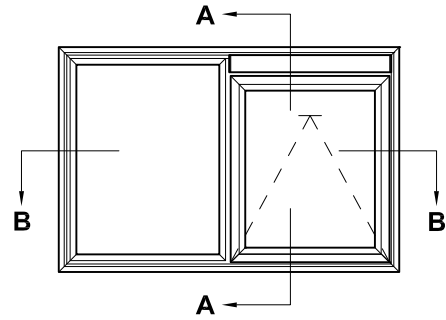
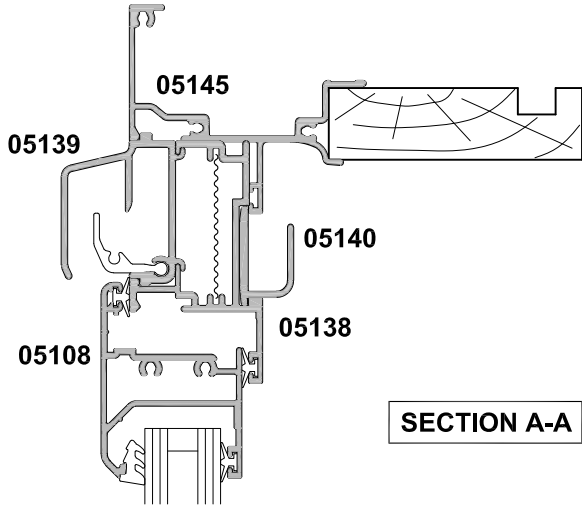


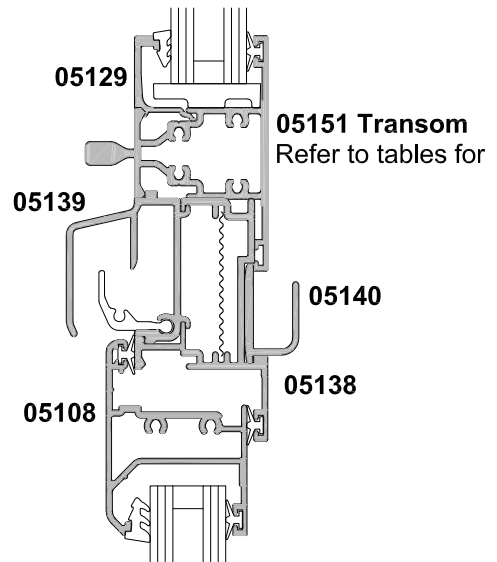
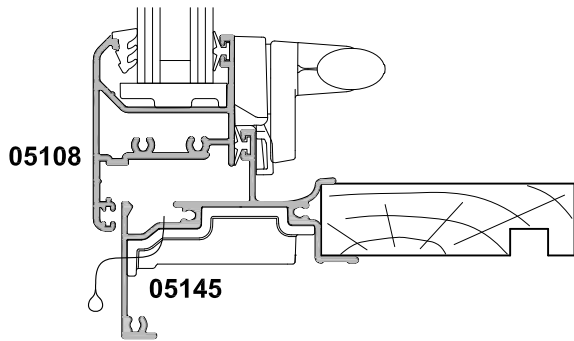
**AWNING WINDOW, DOUBLE GLAZED
VENTED SASH AND AEROVENT**

CROSS SECTION

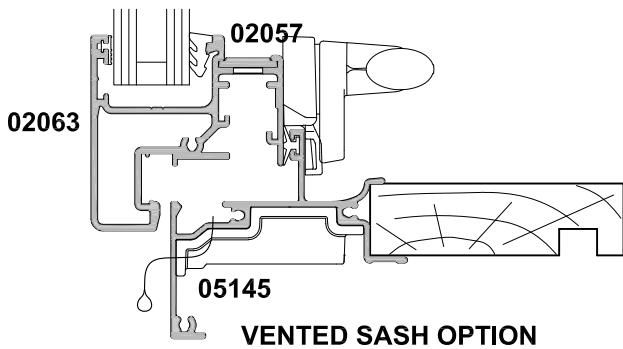
Date 01.04.19 Scale 1:2



Due to clearance issues it is not recommended to have casement sashes below Aerovent.



AEROVENT AT TRANSOM OPTION



VENTED SASH OPTION

