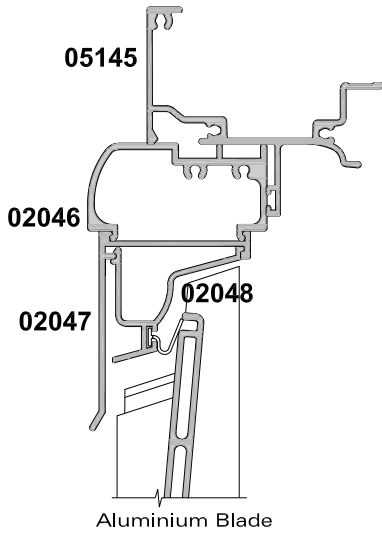


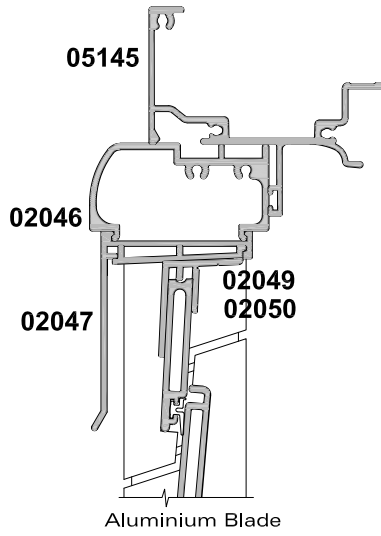
**ALTAIR LOUVRES**  
**HORIZONTAL & VERTICAL DETAILS WITH MULLIONS**

**CROSS SECTION**

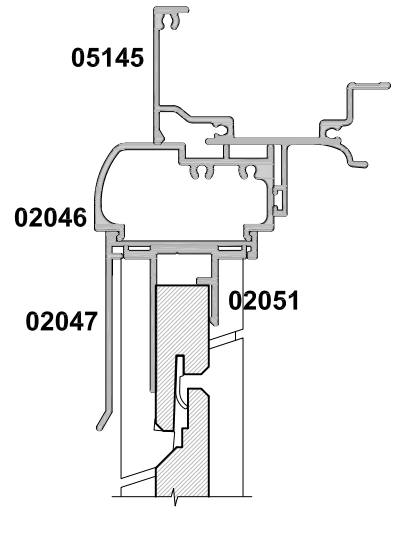
Date 18.03.21 Scale 1:2



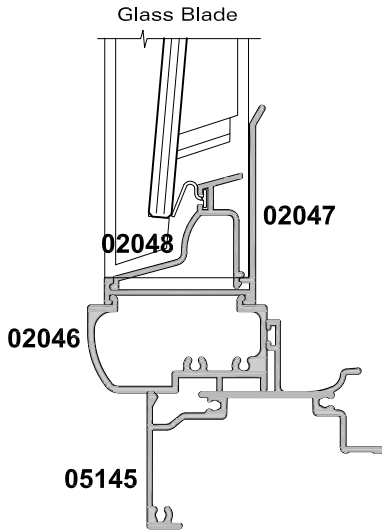
Aluminium Blade



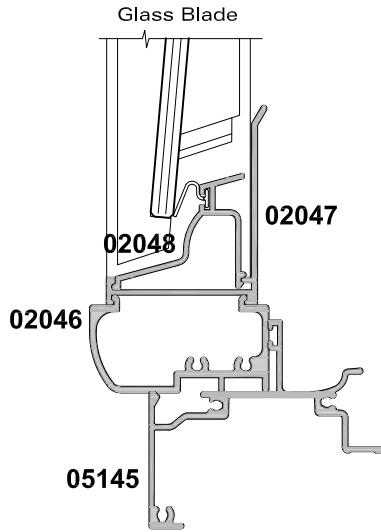
Aluminium Blade



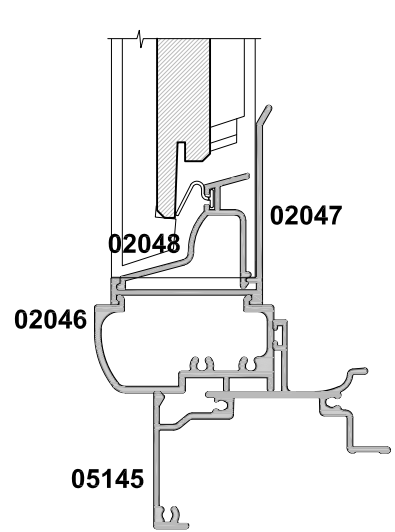
Timber Blade



**GLASS, ALUMINIUM & TIMBER BLADES**  
**STANDARD JAMB HEIGHT**



**GLASS & ALUMINIUM BLADES**  
**NON-STANDARD JAMB HEIGHT**



**TIMBER BLADES**  
**NON-STANDARD JAMB HEIGHT**

