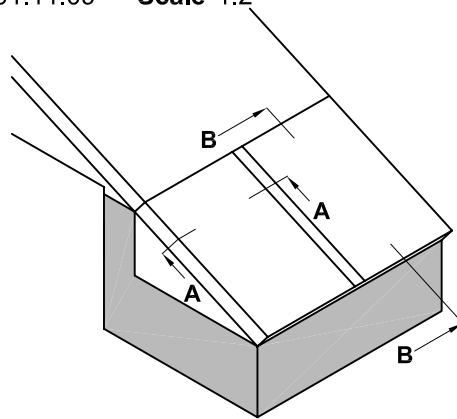


**F100GB GLAZING BARS**

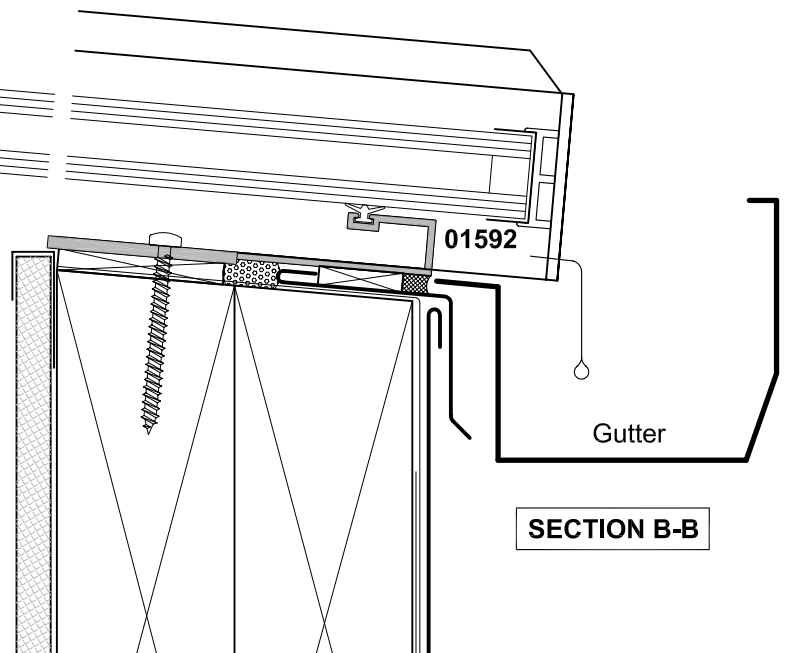
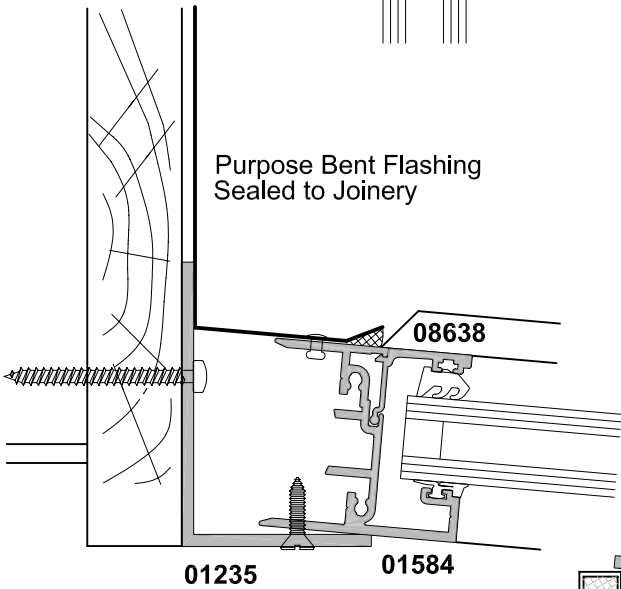
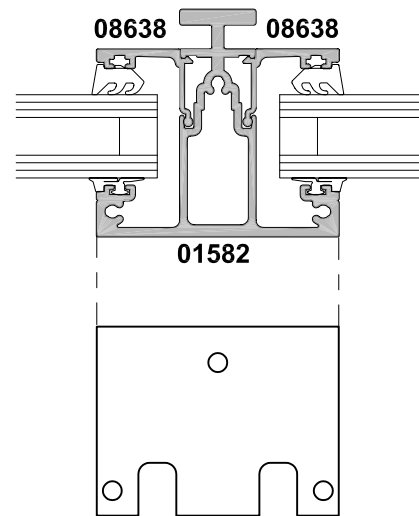
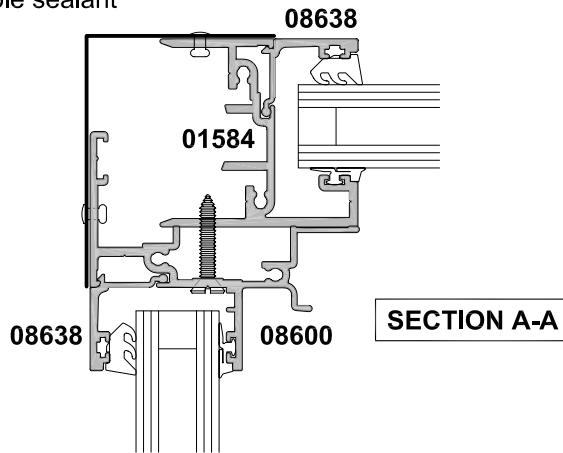
**GABLE GLAZING LEAN-TO, SMALL FIN RAFTER**

**CROSS SECTION**

Date 01.11.09 Scale 1:2



Folded flashing on bed of suitable sealant



Note:  
A Minimum Pitch of 5° (Double Glazing) is required to allow water to run off the glass.