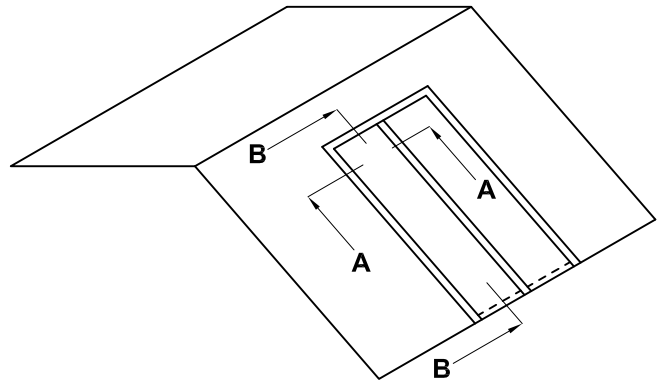
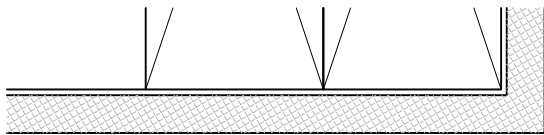
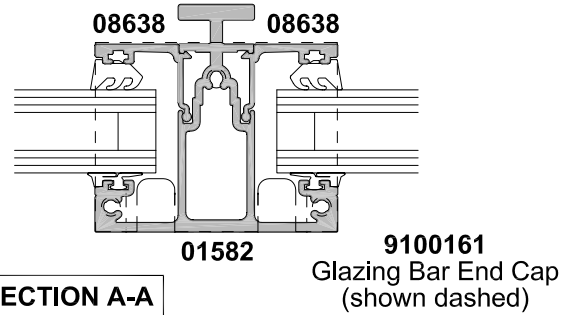
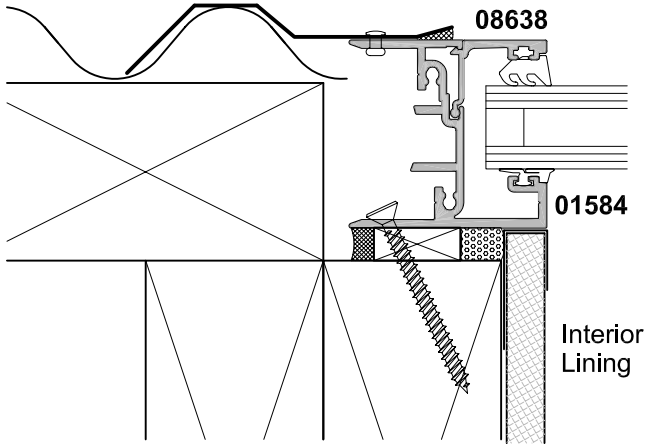


**F100GB GLAZING BARS
FIXED SKYLIGHT, SMALL FIN RAFTER**

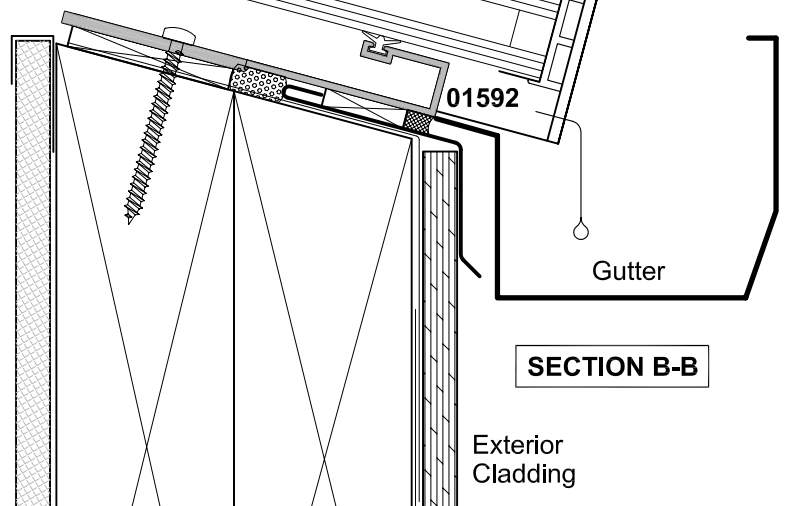
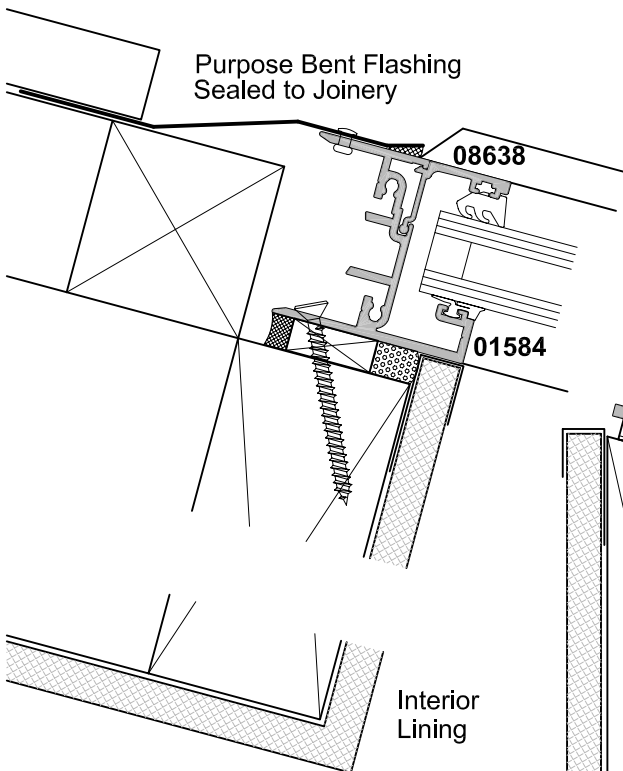
CROSS SECTION

Date 01.11.09 Scale 1:2

Purpose Bent Flashing
Sealed to Joinery



Purpose Bent Flashing
Sealed to Joinery



Note:
A Minimum Pitch of 5° (Double Glazing) is
required to allow water to run off the glass.