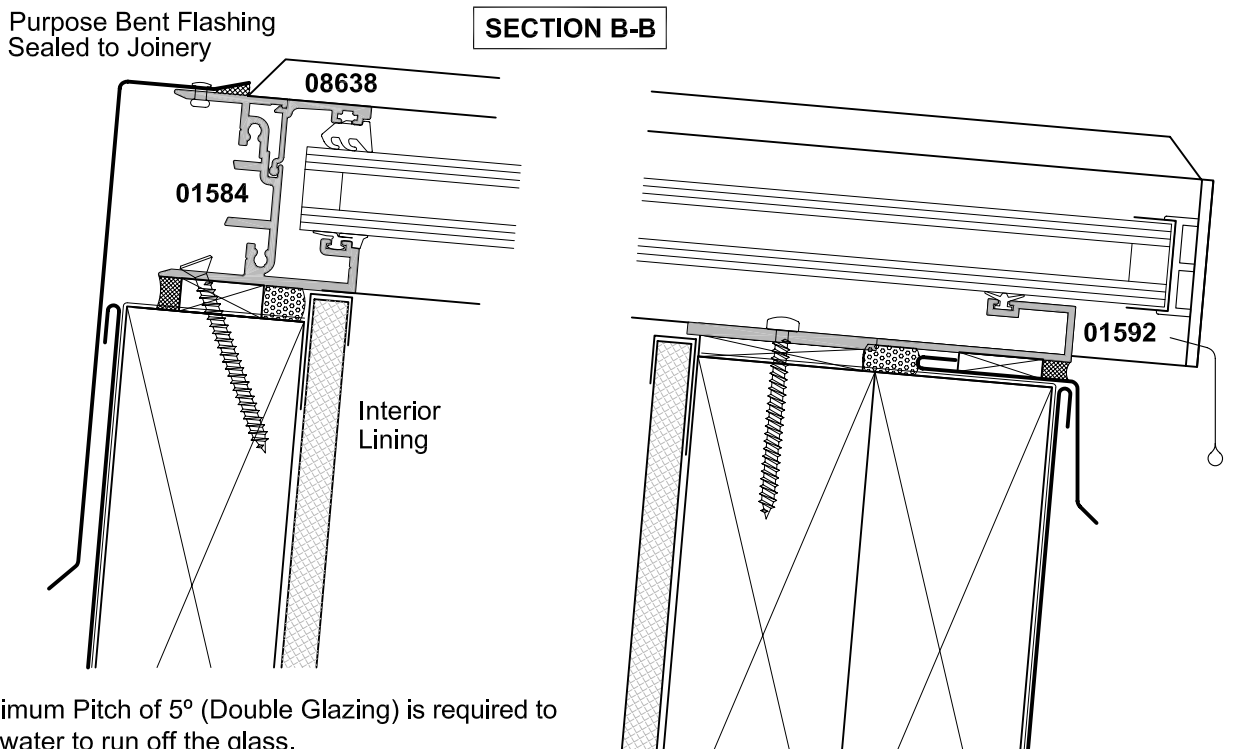
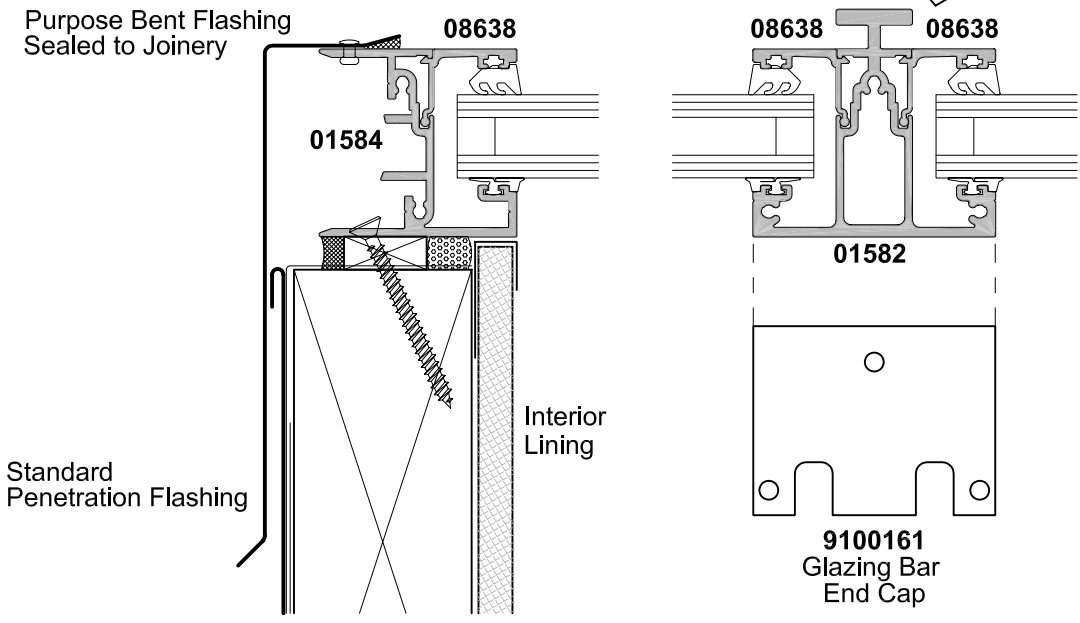
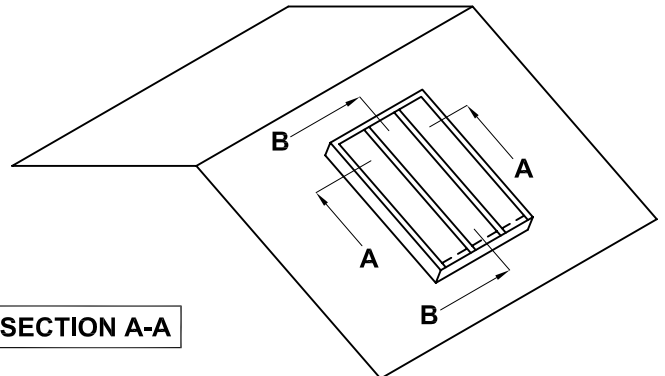


**F100GB GLAZING BARS
FIXED SKYLIGHT, SMALL FIN RAFTER**

CROSS SECTION

Date 01.11.09 Scale 1:2



Note:
A Minimum Pitch of 5° (Double Glazing) is required to allow water to run off the glass.