

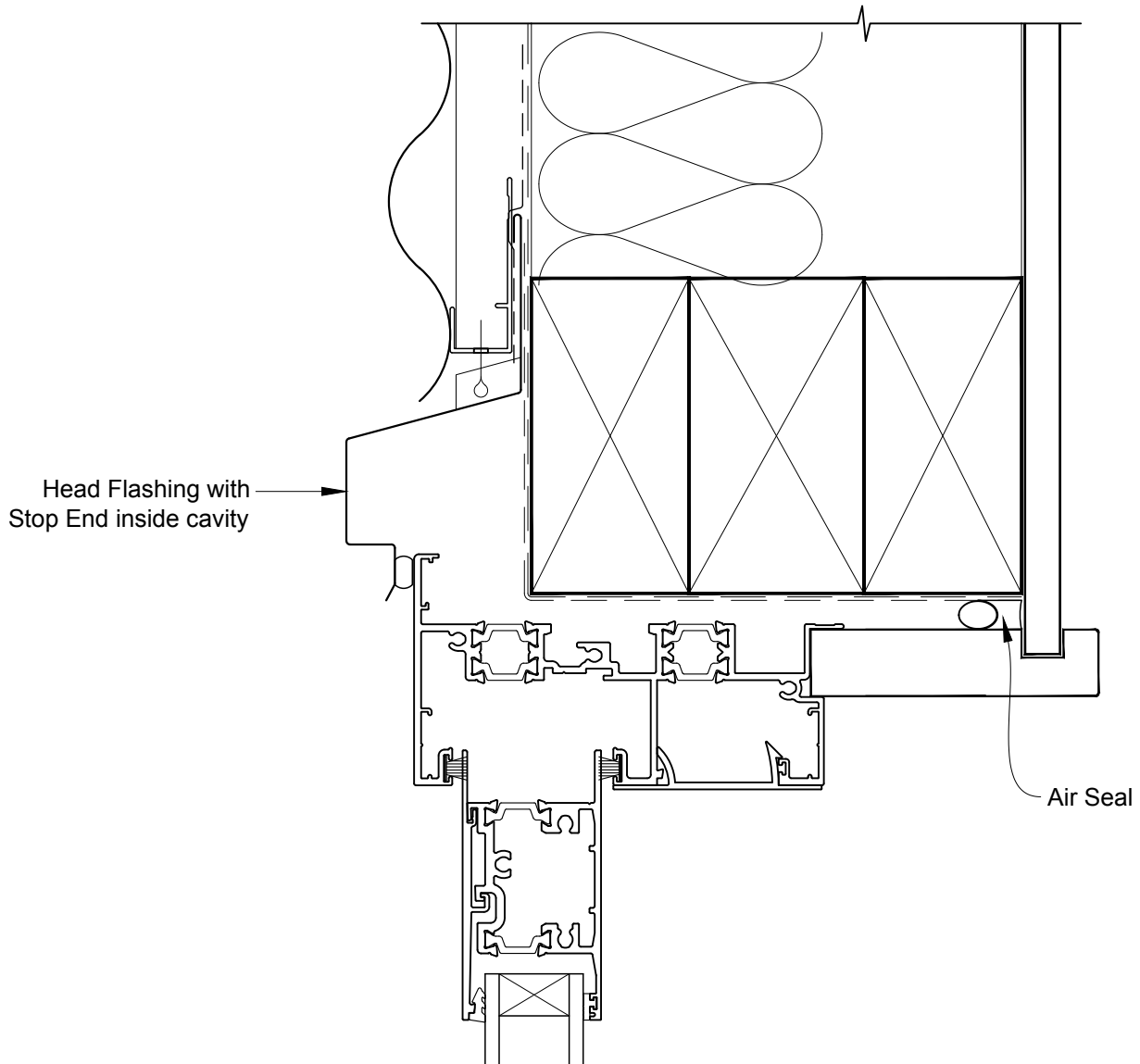


INSTALLATION DETAIL - METRO THERMAL HEART SLIDING WINDOW ON PROFILE METAL CAVITY CONSTRUCTION

Date: 01.09.16

Scale: 1:2

CAD Ref.: MTSWPM-CH



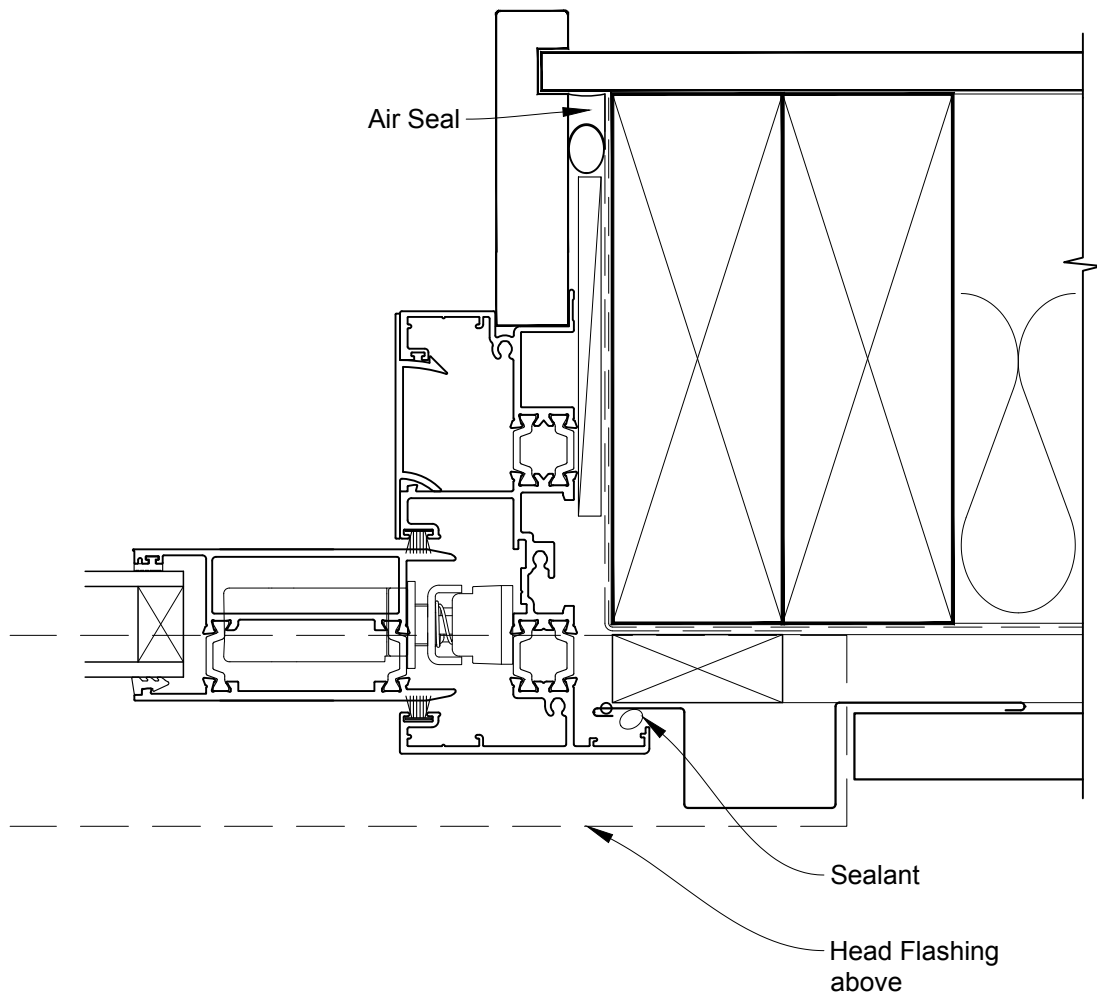


INSTALLATION DETAIL - METRO THERMAL HEART SLIDING WINDOW ON PROFILE METAL CAVITY CONSTRUCTION

Date: 01.09.16

Scale: 1:2

CAD Ref.: MTSWPM-CJ



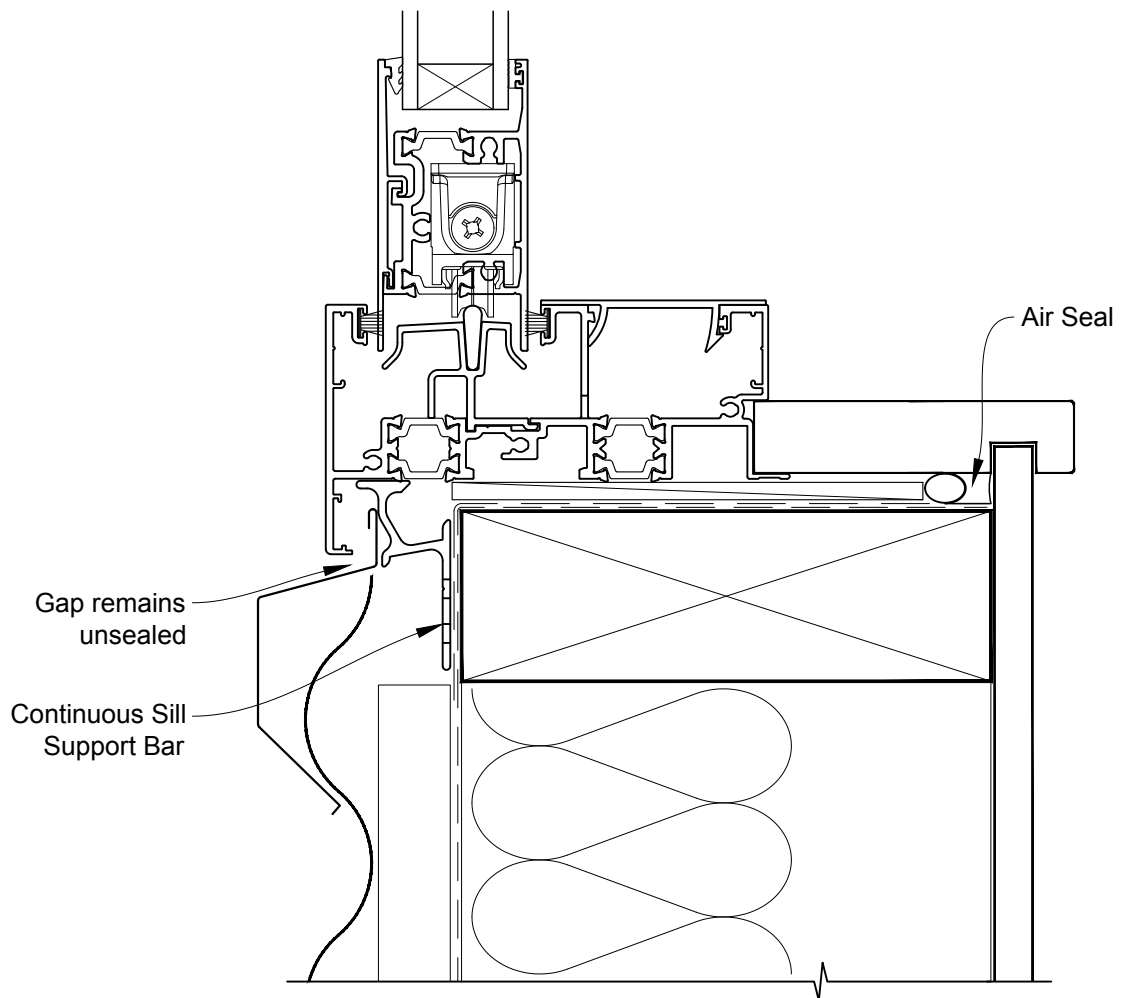


INSTALLATION DETAIL - METRO THERMAL HEART SLIDING WINDOW ON PROFILE METAL CAVITY CONSTRUCTION

Date: 01.09.16

Scale: 1:2

CAD Ref.: MTSWPM-CS



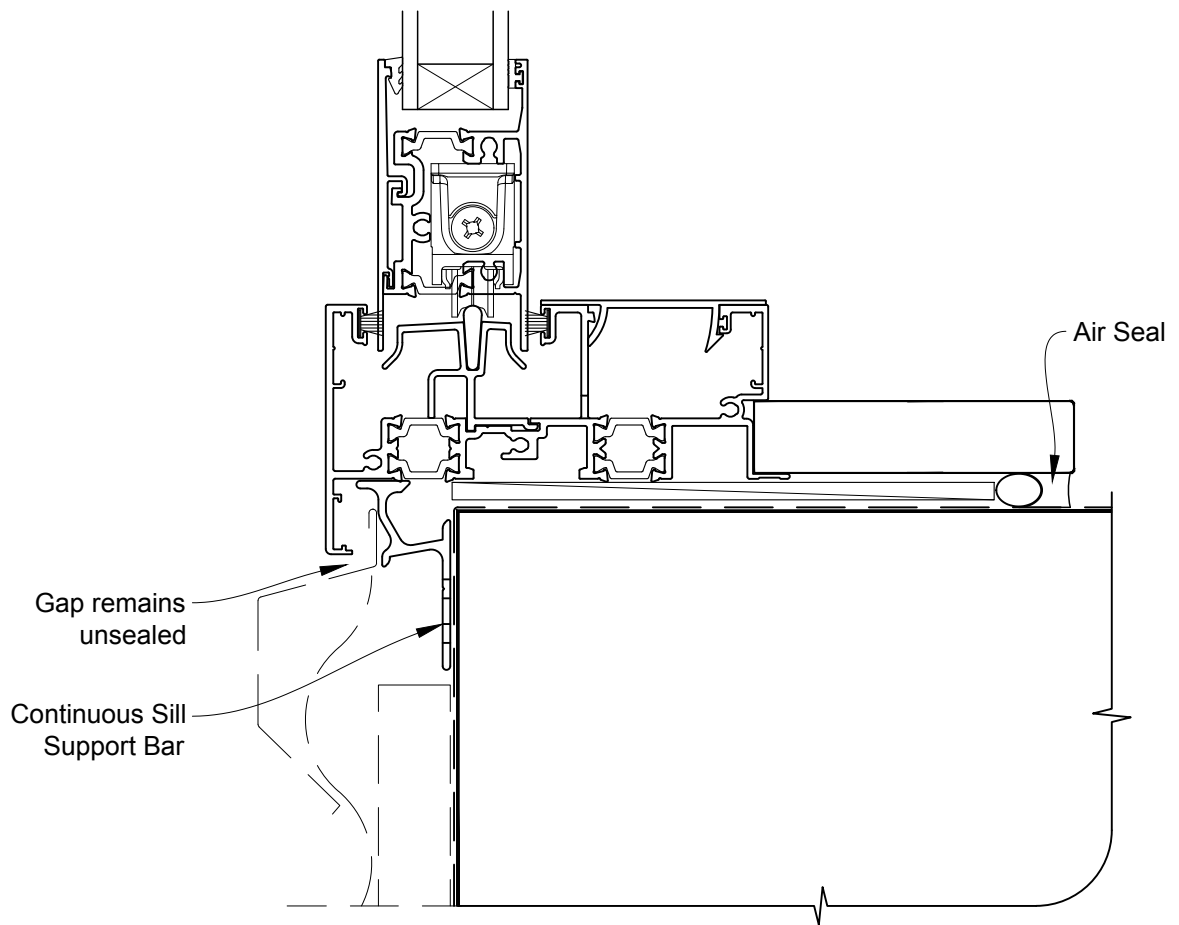


INSTALLATION DETAIL - METRO THERMAL HEART SLIDING WINDOW ON PROFILE METAL CAVITY CONSTRUCTION

Date: 01.09.16

Scale: 1:2

CAD Ref.: MTSWPM-CS2



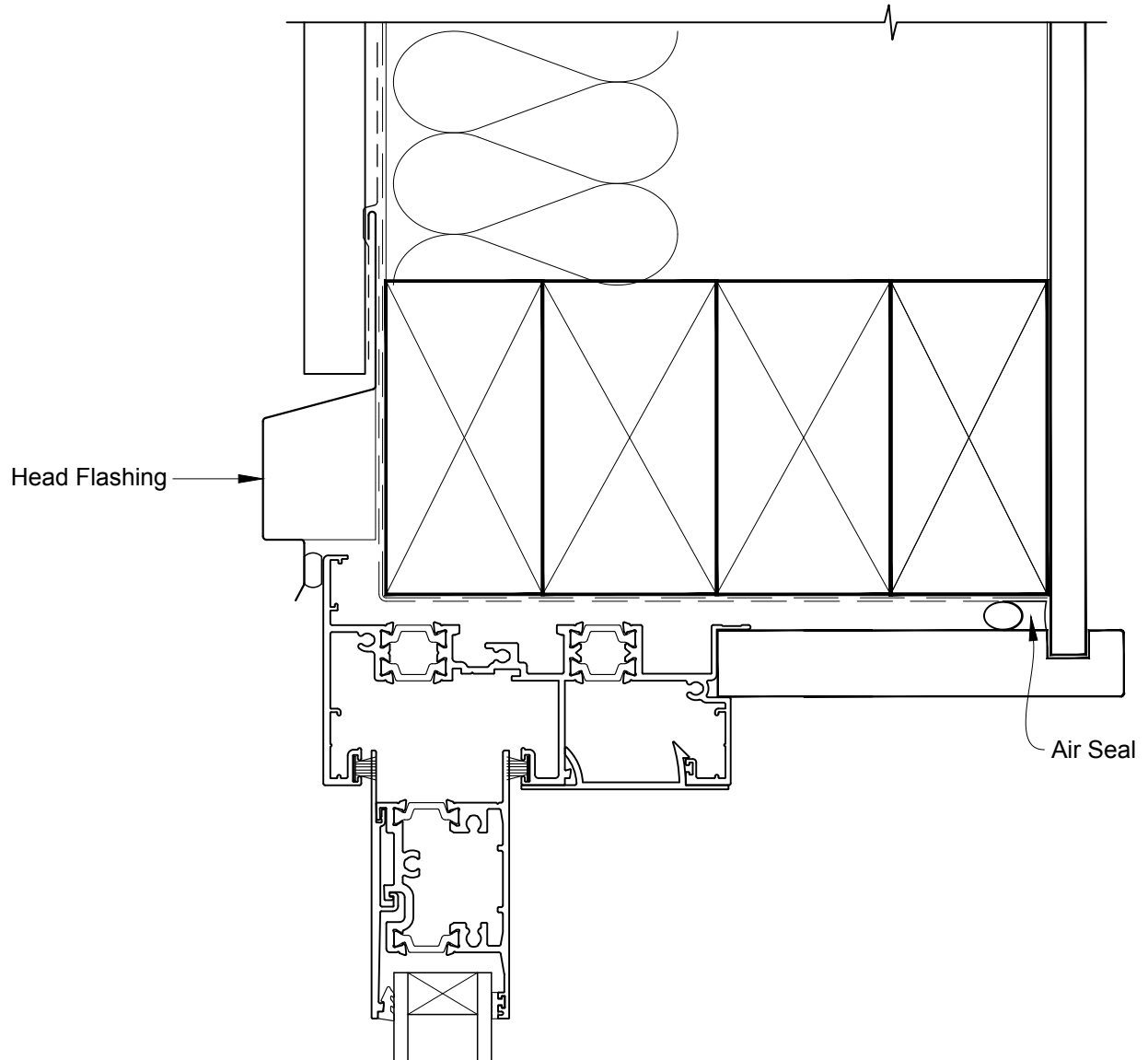


**INSTALLATION DETAIL - METRO THERMAL HEART
SLIDING WINDOW ON PROFILE METAL
DIRECT FIXED CLADDING**

Date: 01.09.16

Scale: 1:2

CAD Ref.: MTSWPM-DH



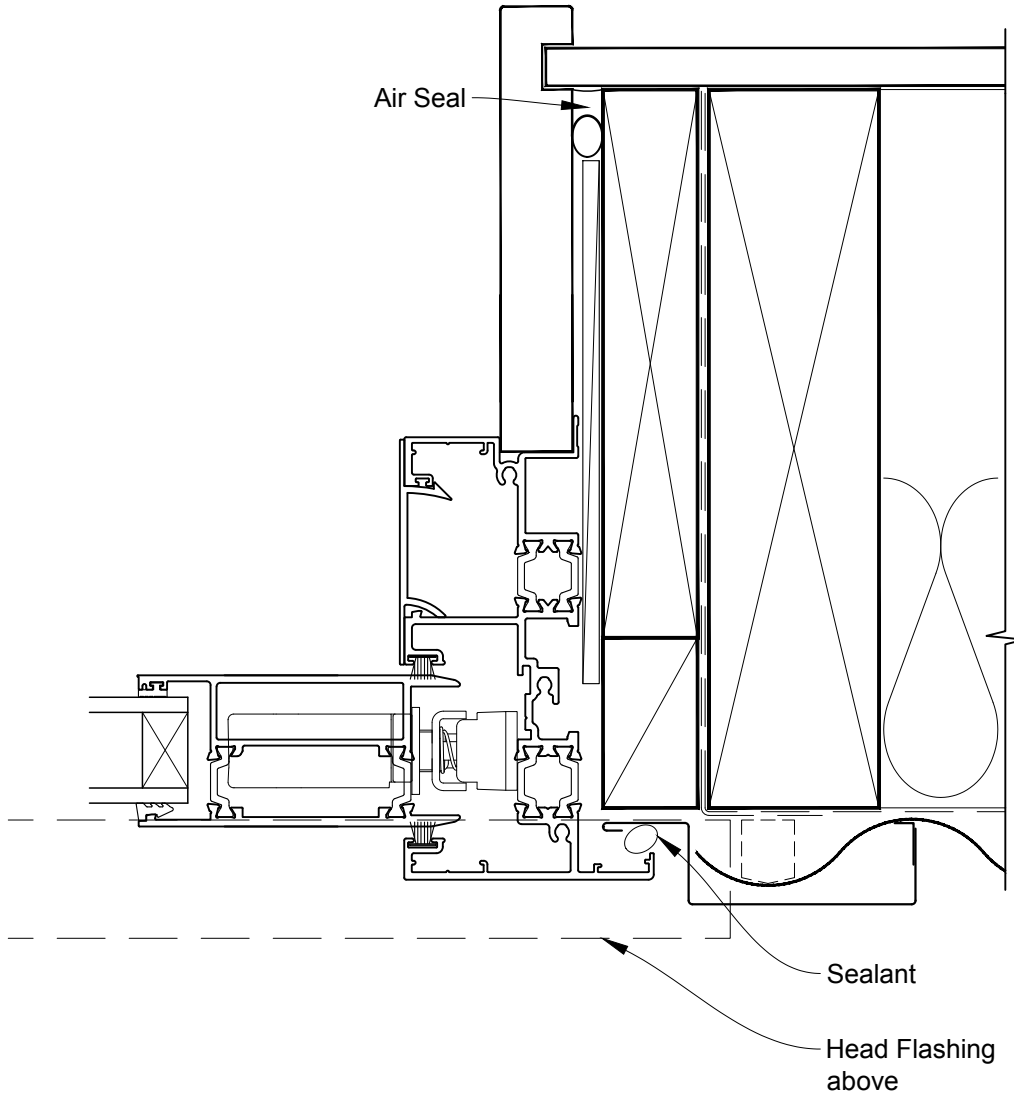


INSTALLATION DETAIL - METRO THERMAL HEART SLIDING WINDOW ON PROFILE METAL DIRECT FIXED CLADDING

Date: 01.09.16

Scale: 1:2

CAD Ref.: MTSWPM-DJ



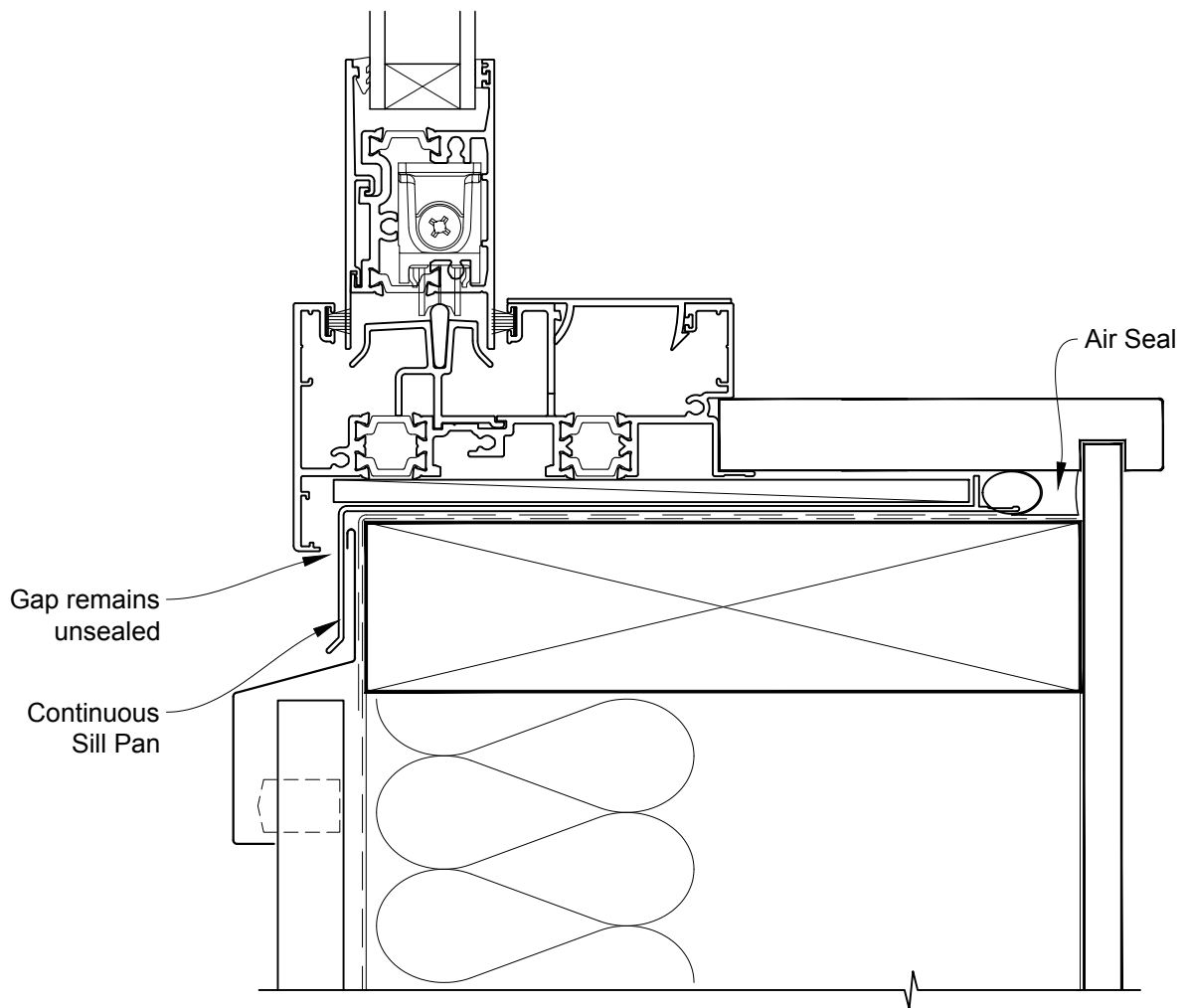


**INSTALLATION DETAIL - METRO THERMAL HEART
SLIDING WINDOW ON PROFILE METAL
DIRECT FIXED CLADDING**

Date: 01.09.16

Scale: 1:2

CAD Ref.: MTSWPM-DS





INSTALLATION DETAIL - METRO THERMAL HEART SLIDING WINDOW ON PROFILE METAL DIRECT FIXED CLADDING

Date: 01.09.16

Scale: 1:2

CAD Ref.: MTSWPM-DS2

