

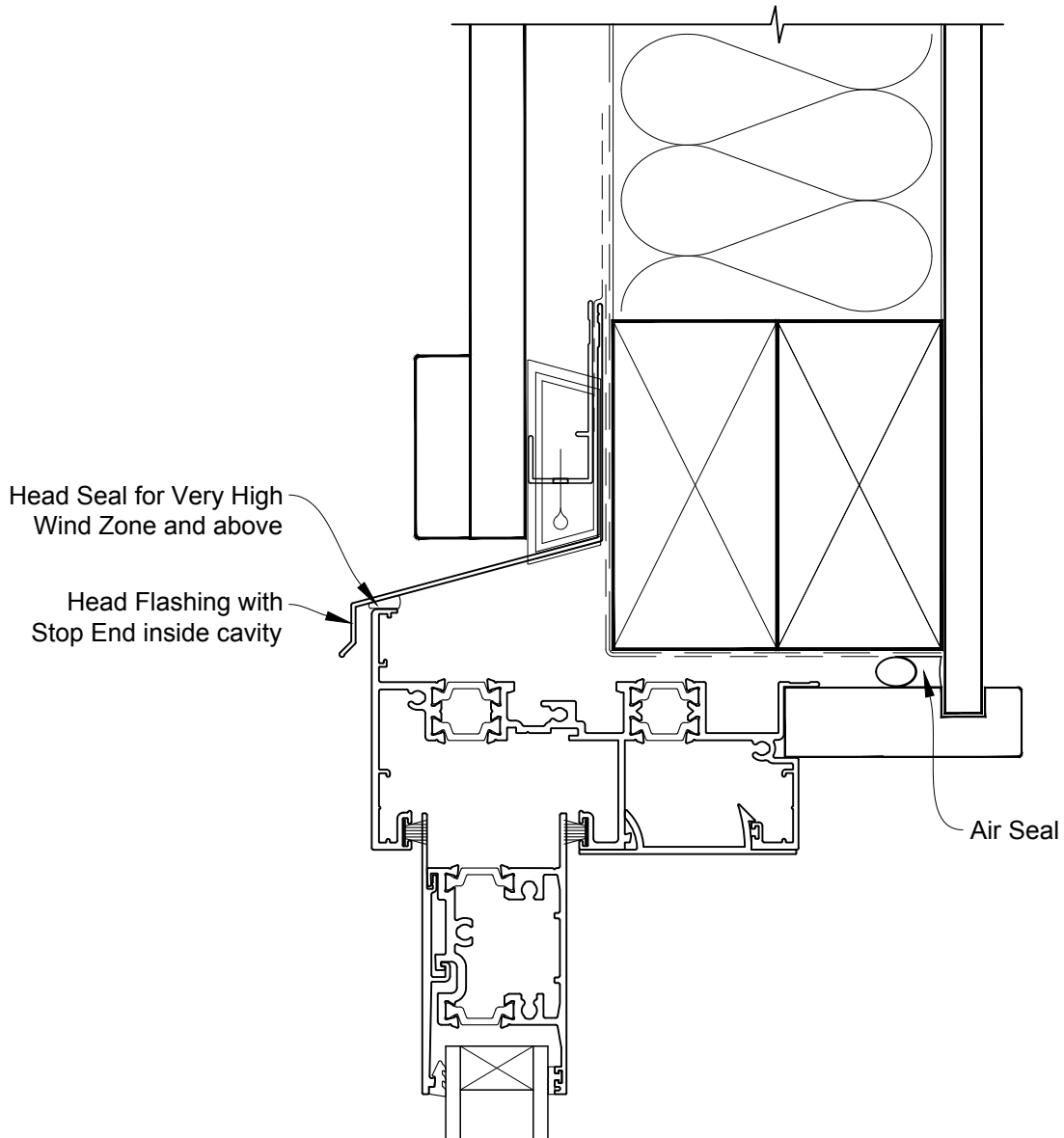


INSTALLATION DETAIL - METRO THERMAL HEART SLIDING WINDOW ON BOARD & BATTEN CAVITY CONSTRUCTION

Date: 01.09.16

Scale: 1:2

CAD Ref.: MTSWBB-CH



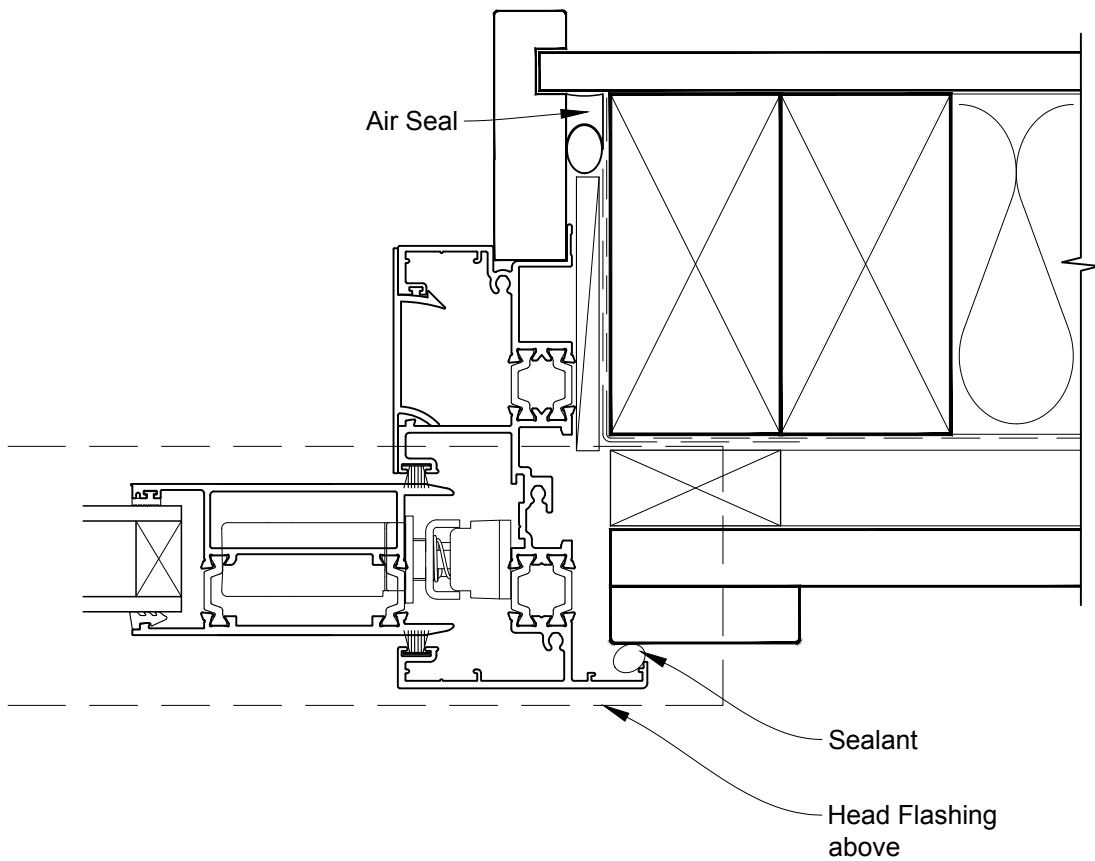


INSTALLATION DETAIL - METRO THERMAL HEART SLIDING WINDOW ON BOARD & BATTEN CAVITY CONSTRUCTION

Date: 01.09.16

Scale: 1:2

CAD Ref.: MTSWBB-CJ



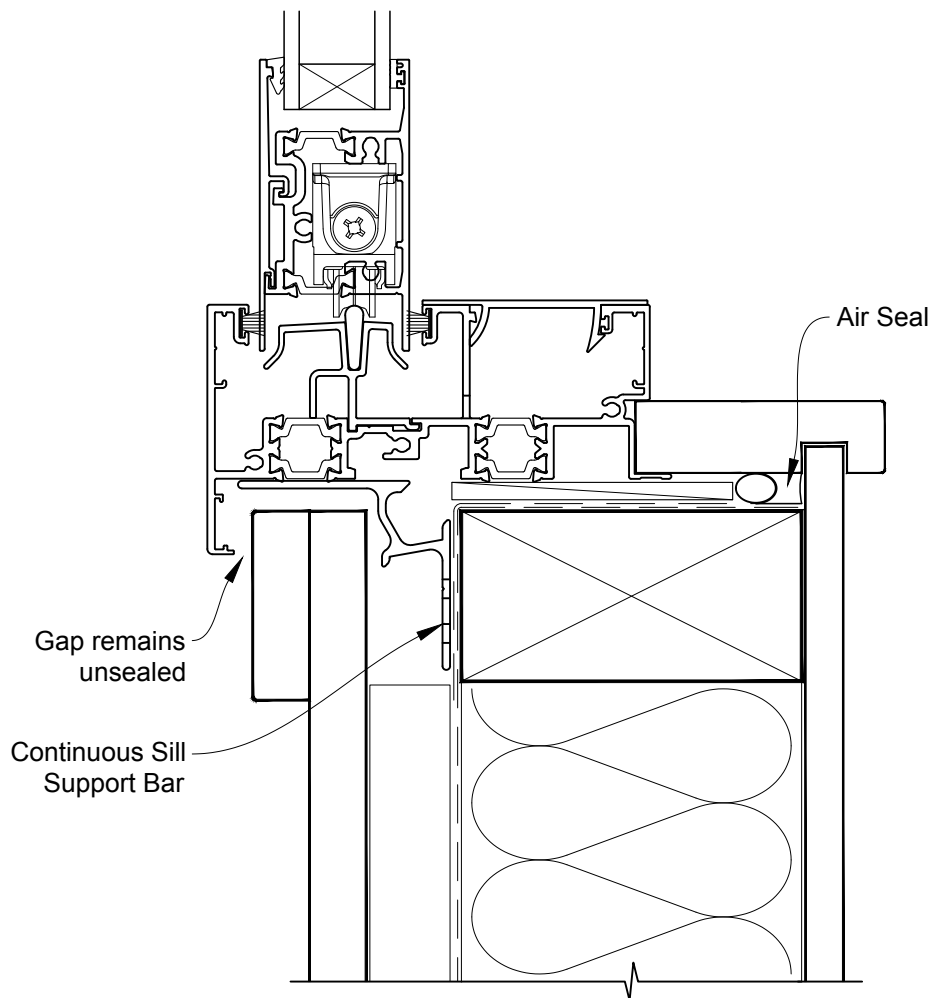


INSTALLATION DETAIL - METRO THERMAL HEART SLIDING WINDOW ON BOARD & BATTEN CAVITY CONSTRUCTION

Date: 01.09.16

Scale: 1:2

CAD Ref.: MTSWBB-CS



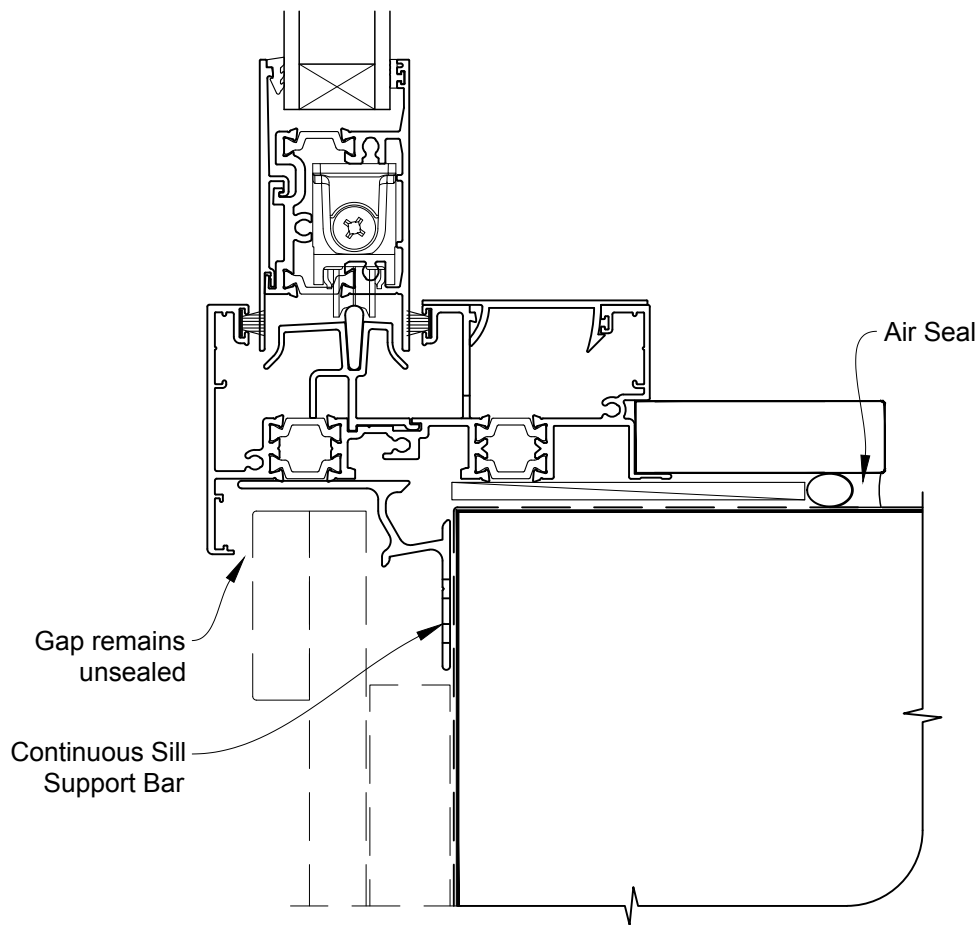


INSTALLATION DETAIL - METRO THERMAL HEART SLIDING WINDOW ON BOARD & BATTEN CAVITY CONSTRUCTION

Date: 01.09.16

Scale: 1:2

CAD Ref.: MTSWBB-CS2



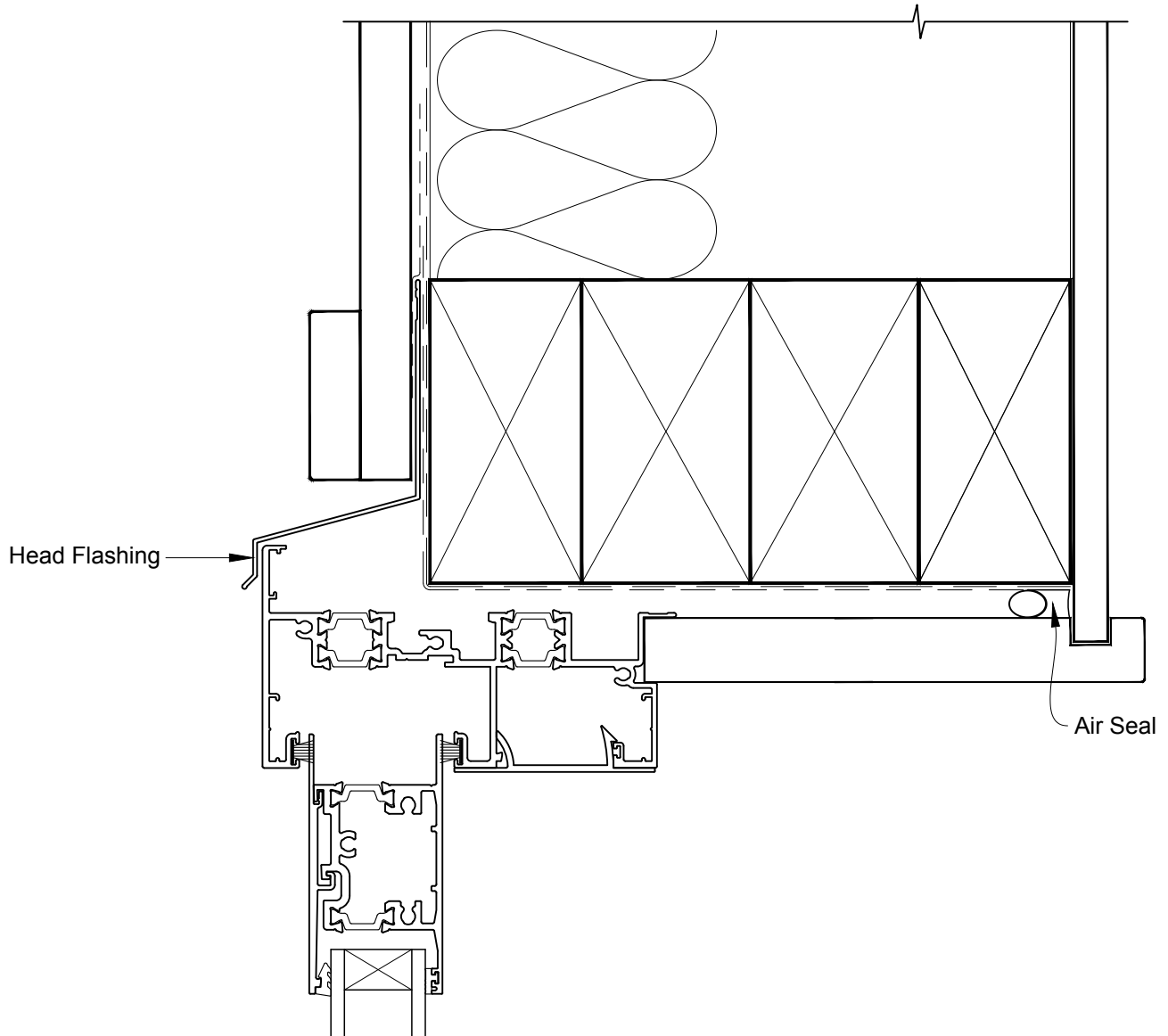


INSTALLATION DETAIL - METRO THERMAL HEART SLIDING WINDOW ON BOARD & BATTEN DIRECT FIXED CLADDING

Date: 01.09.16

Scale: 1:2

CAD Ref.: MTSWBB-DH



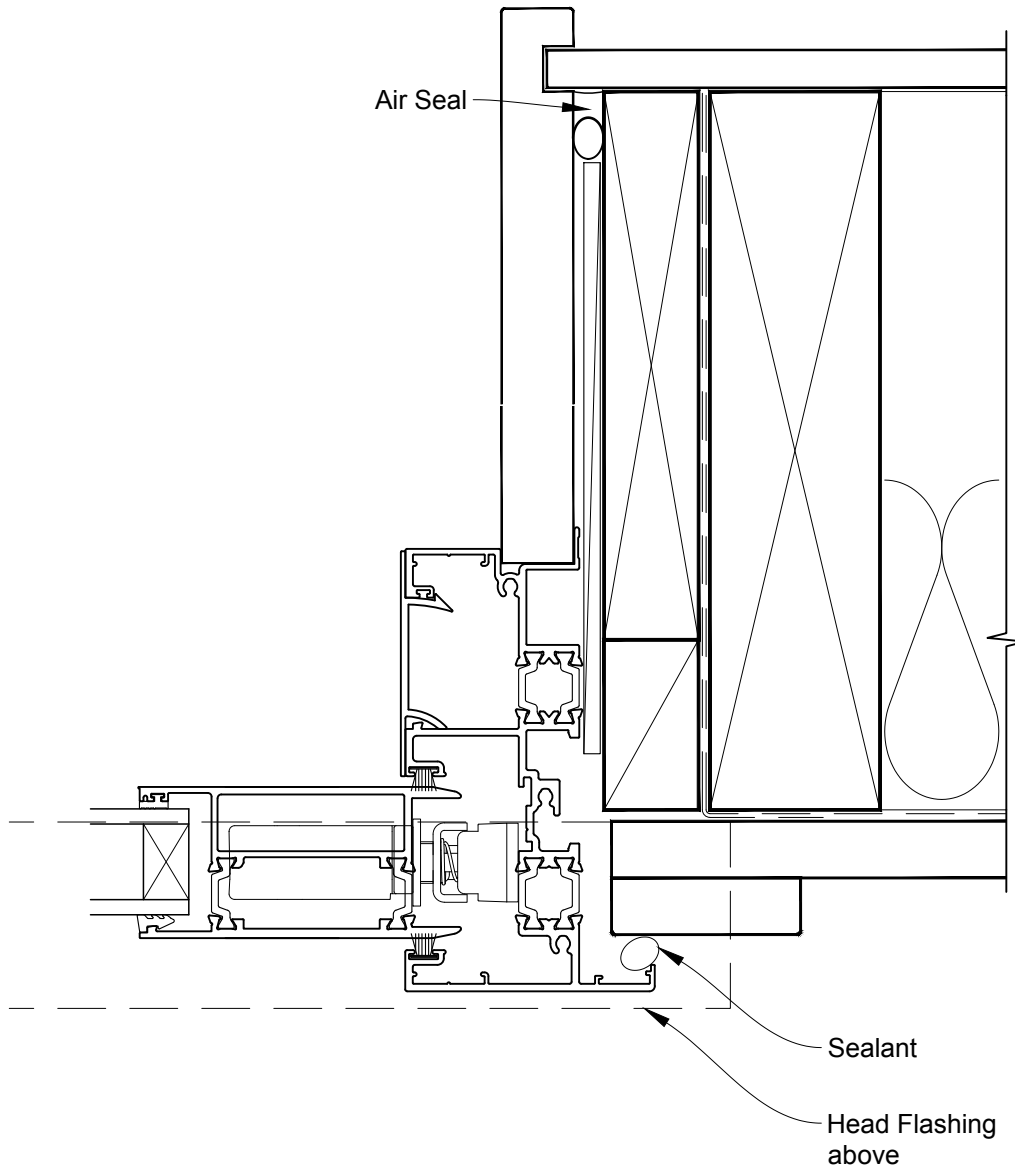


INSTALLATION DETAIL - METRO THERMAL HEART SLIDING WINDOW ON BOARD & BATTEN DIRECT FIXED CLADDING

Date: 01.09.16

Scale: 1:2

CAD Ref.: MTSWBB-DJ



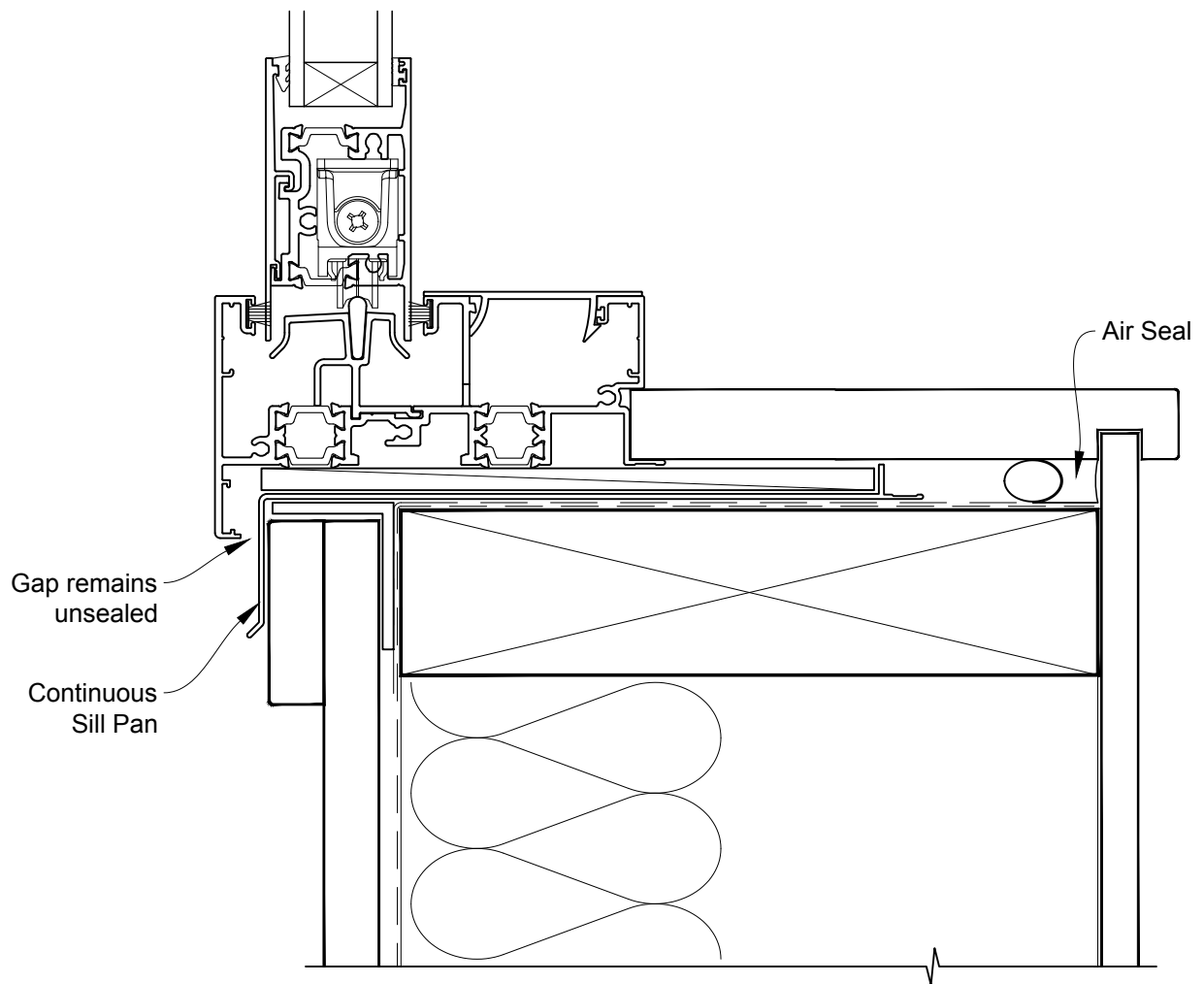


INSTALLATION DETAIL - METRO THERMAL HEART SLIDING WINDOW ON BOARD & BATTEN DIRECT FIXED CLADDING

Date: 01.09.16

Scale: 1:2

CAD Ref.: MTSWBB-DS





INSTALLATION DETAIL - METRO THERMAL HEART SLIDING WINDOW ON BOARD & BATTEN DIRECT FIXED CLADDING

Date: 01.09.16

Scale: 1:2

CAD Ref.: MTSWBB-DS2

