

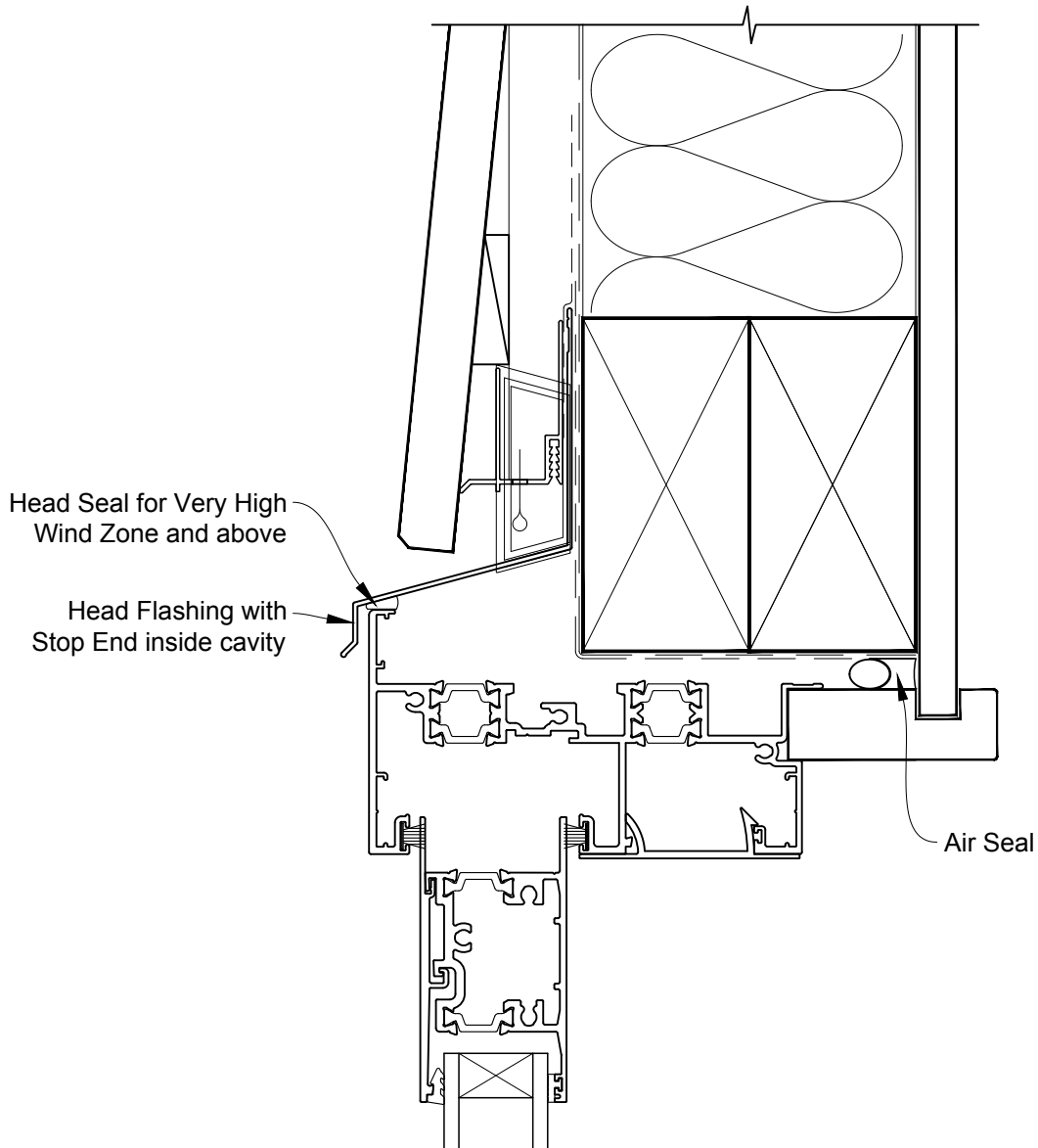


INSTALLATION DETAIL - METRO THERMAL HEART SLIDING DOOR ON BEVELBACK WEATHERBOARD CAVITY CONSTRUCTION

Date: 01.09.16

Scale: 1:2

CAD Ref.: MTSDBW-CH



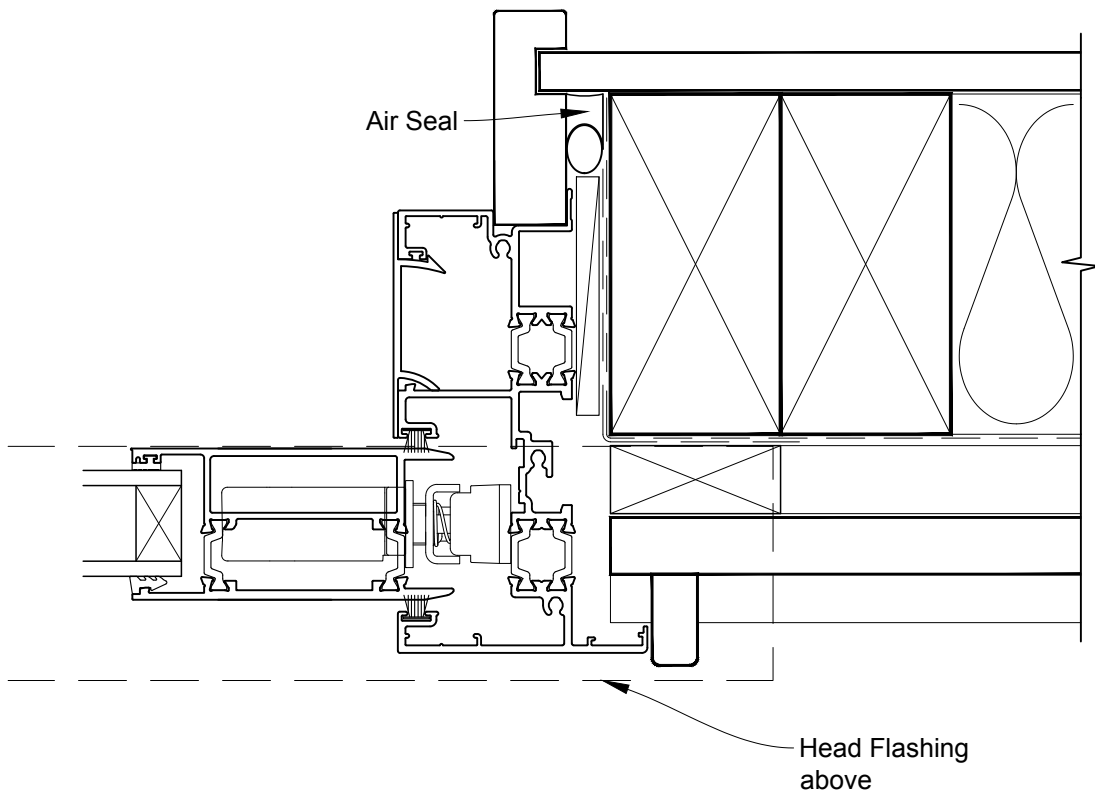


INSTALLATION DETAIL - METRO THERMAL HEART SLIDING DOOR ON BEVELBACK WEATHERBOARD CAVITY CONSTRUCTION

Date: 01.09.16

Scale: 1:2

CAD Ref.: MTSDBW-CJ



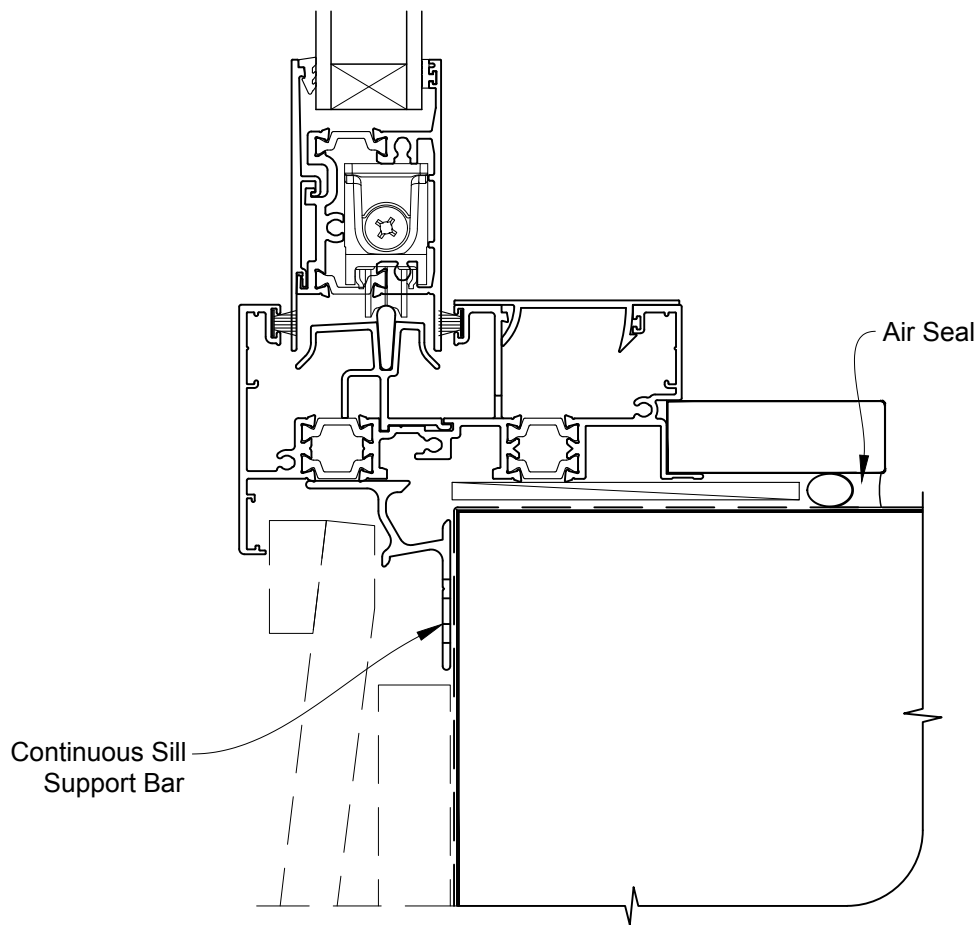


INSTALLATION DETAIL - METRO THERMAL HEART SLIDING DOOR ON BEVELBACK WEATHERBOARD CAVITY CONSTRUCTION

Date: 01.09.16

Scale: 1:2

CAD Ref.: MTSDBW-CS



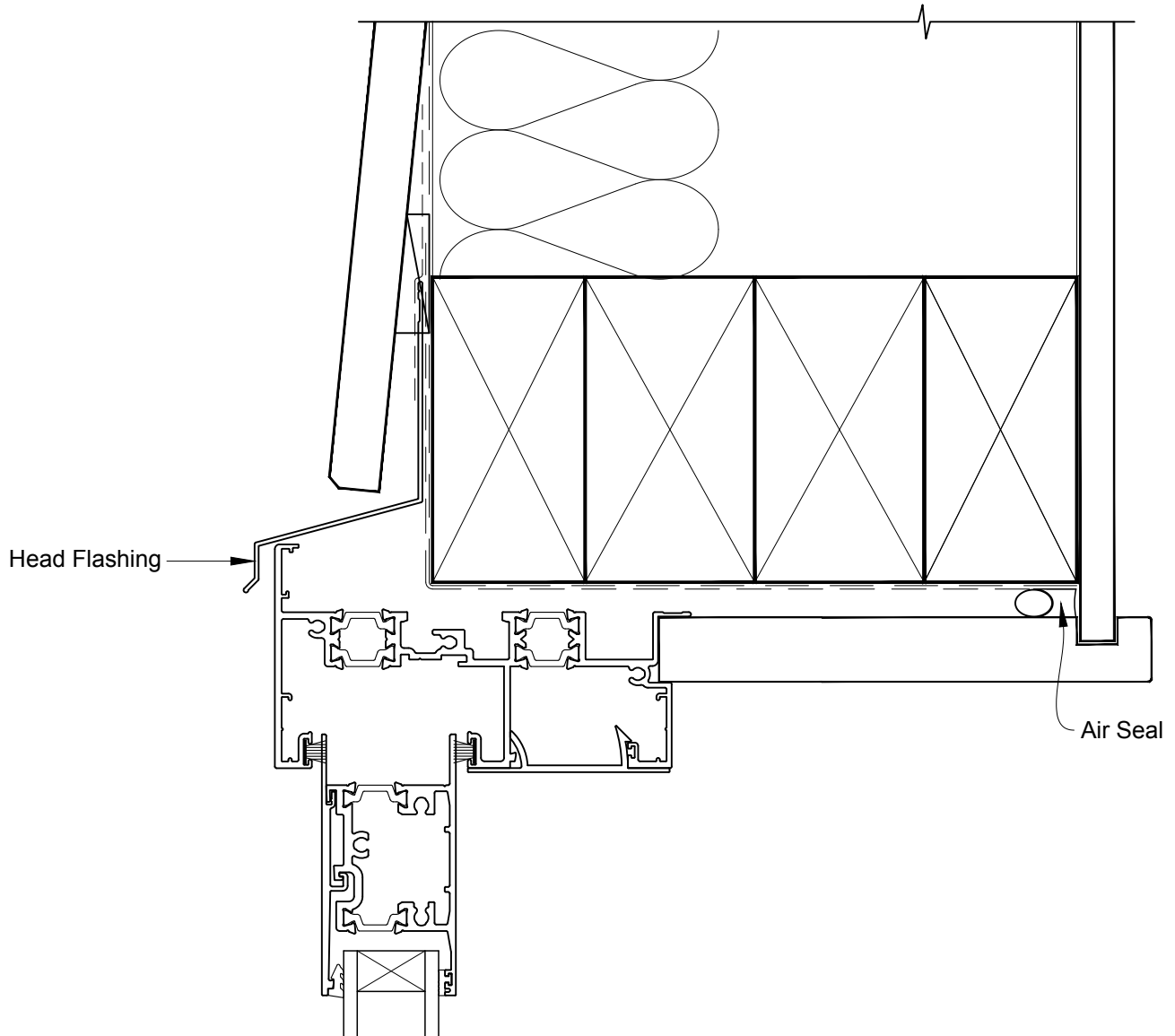


INSTALLATION DETAIL - METRO THERMAL HEART SLIDING DOOR ON BEVELBACK WEATHERBOARD DIRECT FIXED CLADDING

Date: 01.09.16

Scale: 1:2

CAD Ref.: MTSDBW-DH



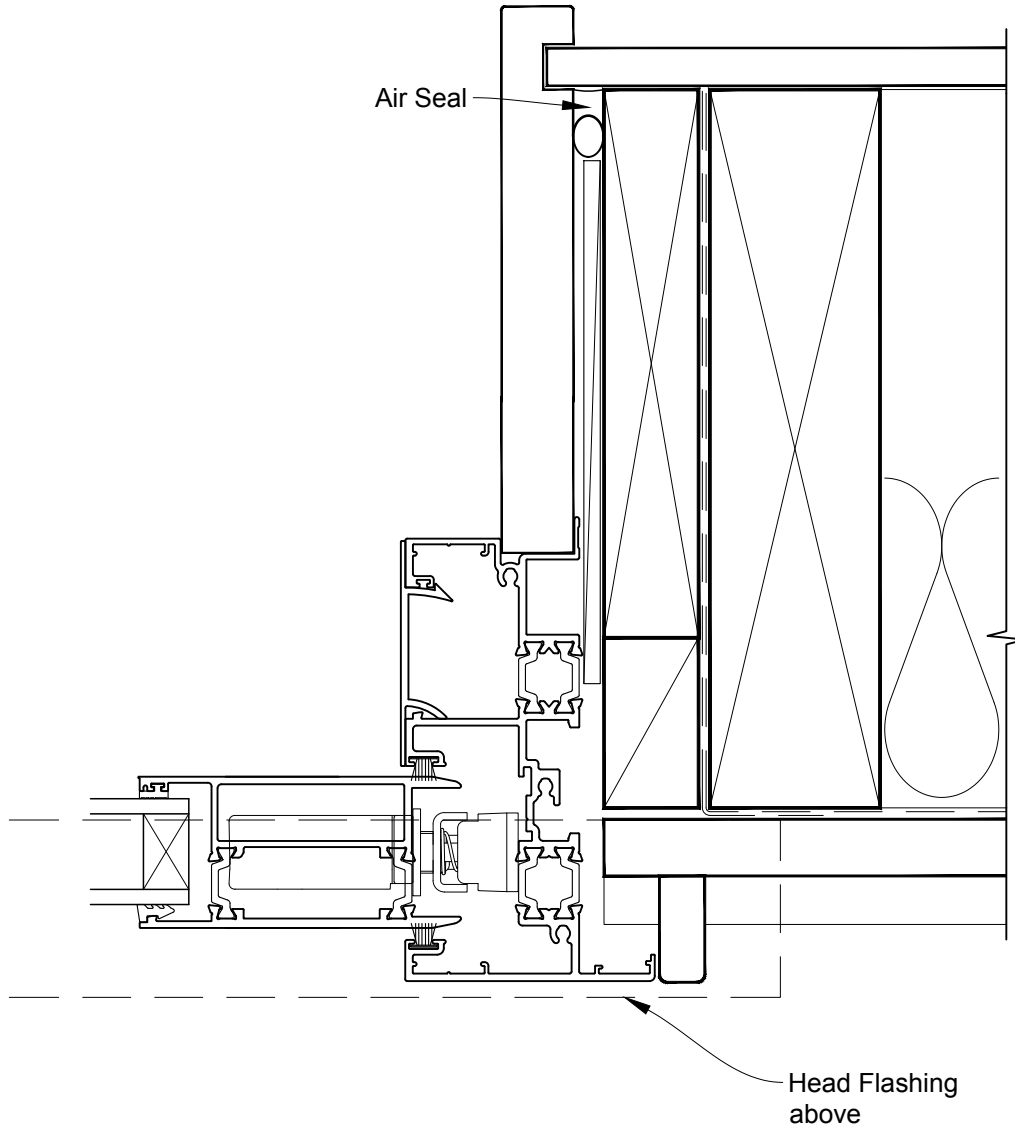


INSTALLATION DETAIL - METRO THERMAL HEART SLIDING DOOR ON BEVELBACK WEATHERBOARD DIRECT FIXED CLADDING

Date: 01.09.16

Scale: 1:2

CAD Ref.: MTSDBW-DJ





INSTALLATION DETAIL - METRO THERMAL HEART SLIDING DOOR ON BEVELBACK WEATHERBOARD DIRECT FIXED CLADDING

Date: 01.09.16

Scale: 1:2

CAD Ref.: MTSDBW-DS

