

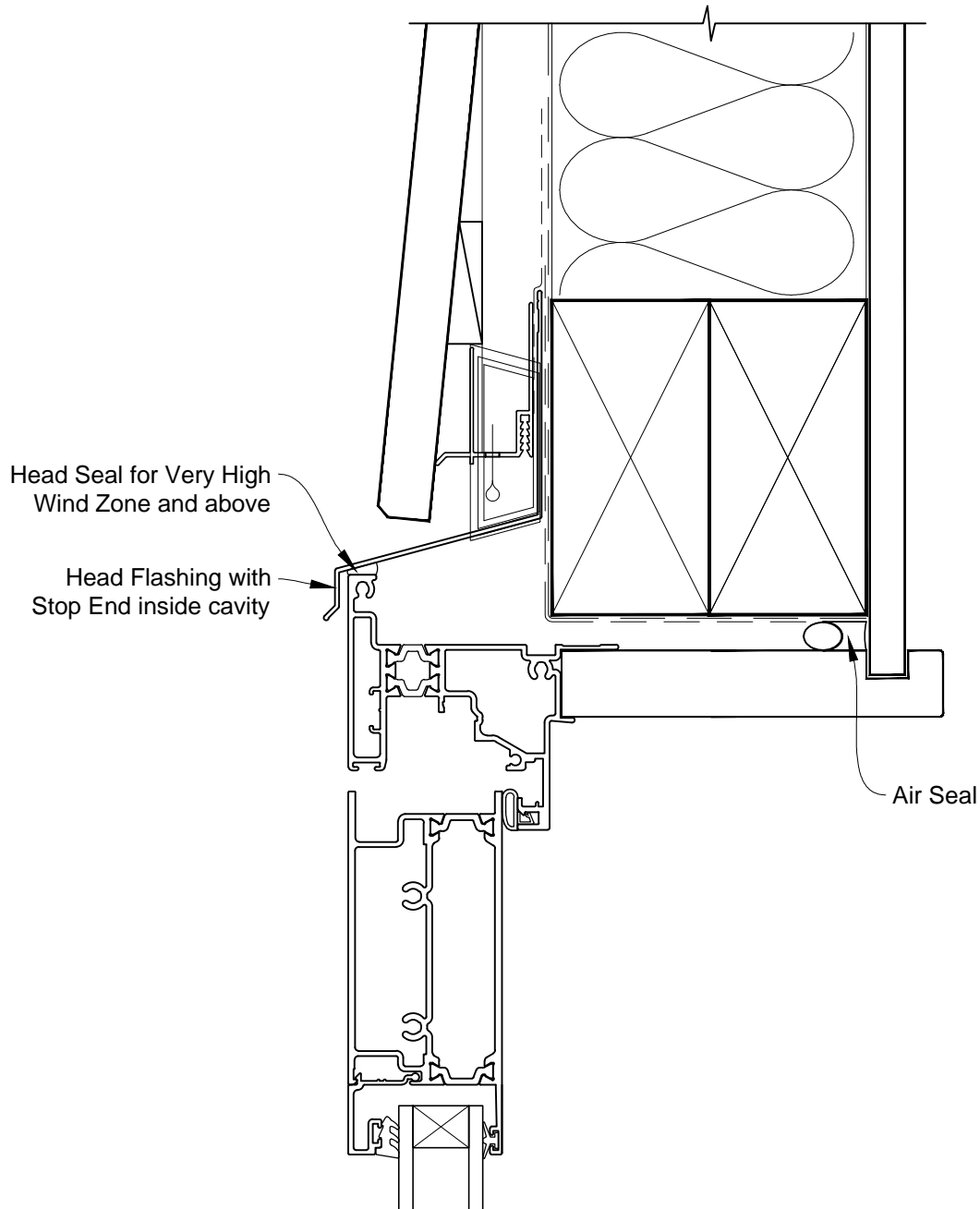


INSTALLATION DETAIL - METRO THERMAL HEART HINGED DOOR OPEN OUT ON BEVELBACK WEATHERBOARD CAVITY CONSTRUCTION

Date: 01.03.14

Scale: 1:2

CAD Ref.: MTHOBW-CH



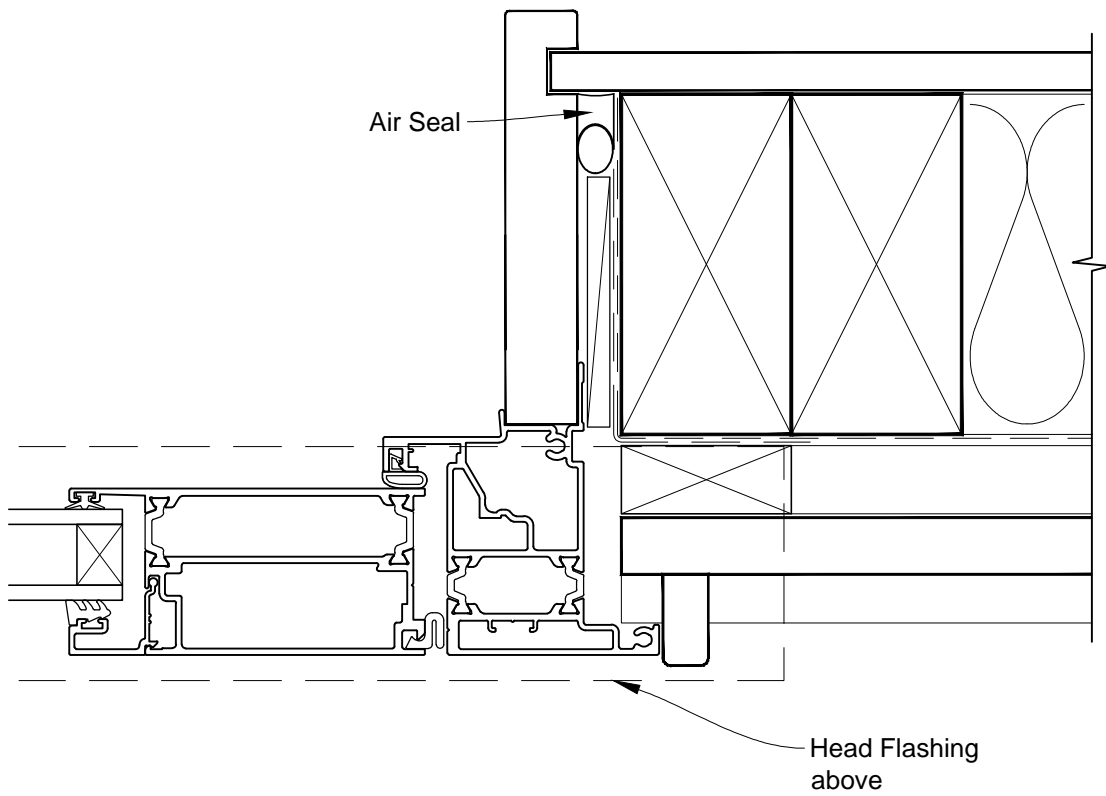


INSTALLATION DETAIL - METRO THERMAL HEART HINGED DOOR OPEN OUT ON BEVELBACK WEATHERBOARD CAVITY CONSTRUCTION

Date: 01.03.14

Scale: 1:2

CAD Ref.: MTHOBW-CJ



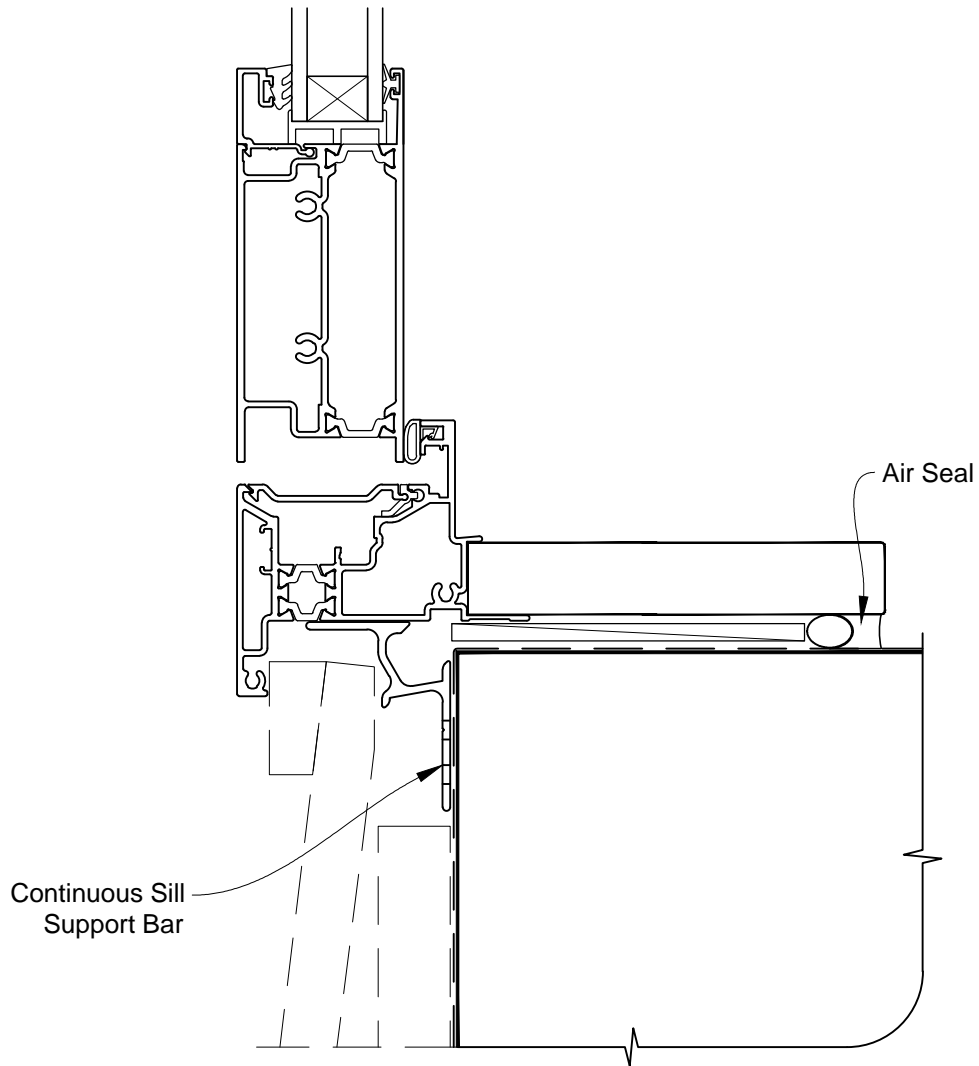


INSTALLATION DETAIL - METRO THERMAL HEART HINGED DOOR OPEN OUT ON BEVELBACK WEATHERBOARD CAVITY CONSTRUCTION

Date: 01.03.14

Scale: 1:2

CAD Ref.: MTHOBW-CS



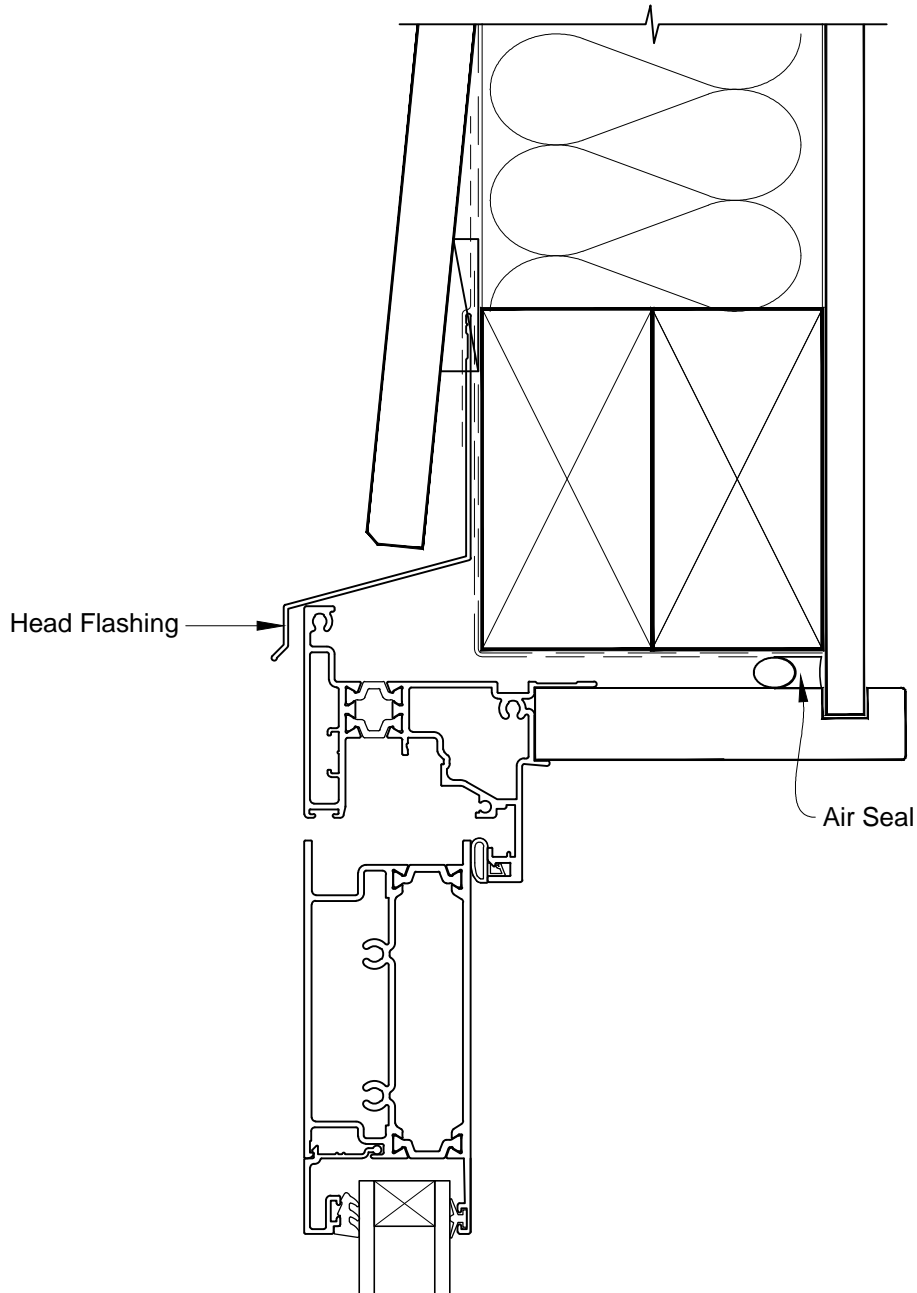


**INSTALLATION DETAIL - METRO THERMAL HEART
HINGED DOOR OPEN OUT ON BEVELBACK WEATHERBOARD
DIRECT FIXED CLADDING**

Date: 01.03.14

Scale: 1:2

CAD Ref.: MTHOBW-DH



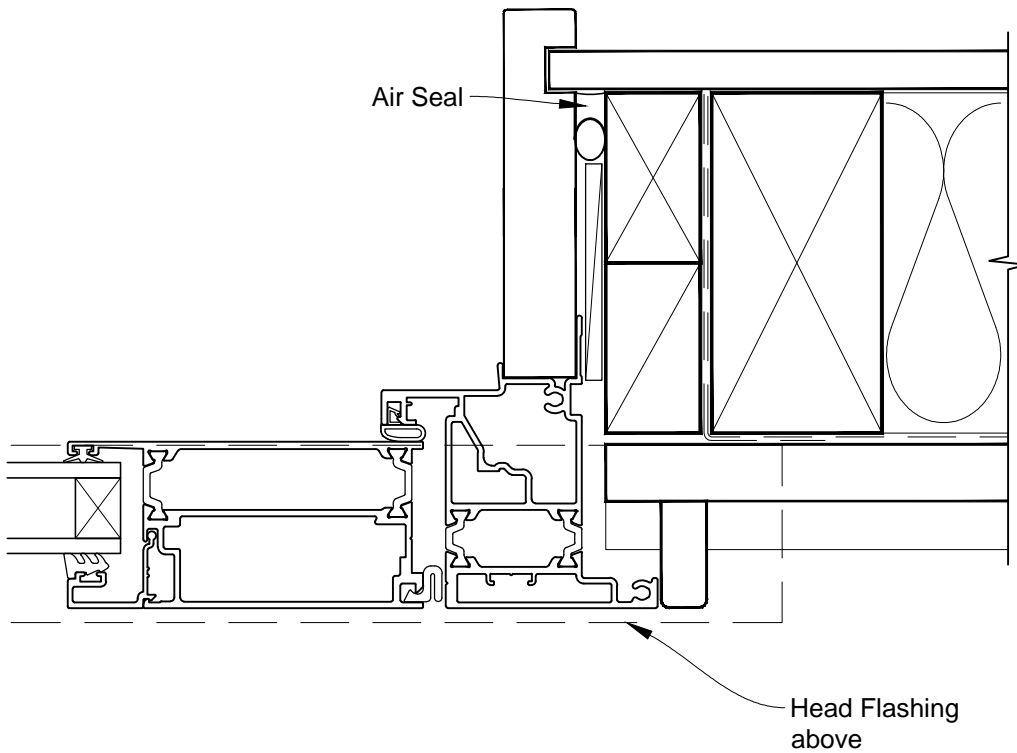


**INSTALLATION DETAIL - METRO THERMAL HEART
HINGED DOOR OPEN OUT ON BEVELBACK WEATHERBOARD
DIRECT FIXED CLADDING**

Date: 01.03.14

Scale: 1:2

CAD Ref.: MTHOBW-DJ





INSTALLATION DETAIL - METRO THERMAL HEART HINGED DOOR OPEN OUT ON BEVELBACK WEATHERBOARD DIRECT FIXED CLADDING

Date: 01.03.14

Scale: 1:2

CAD Ref.: MTHOBW-DS

