

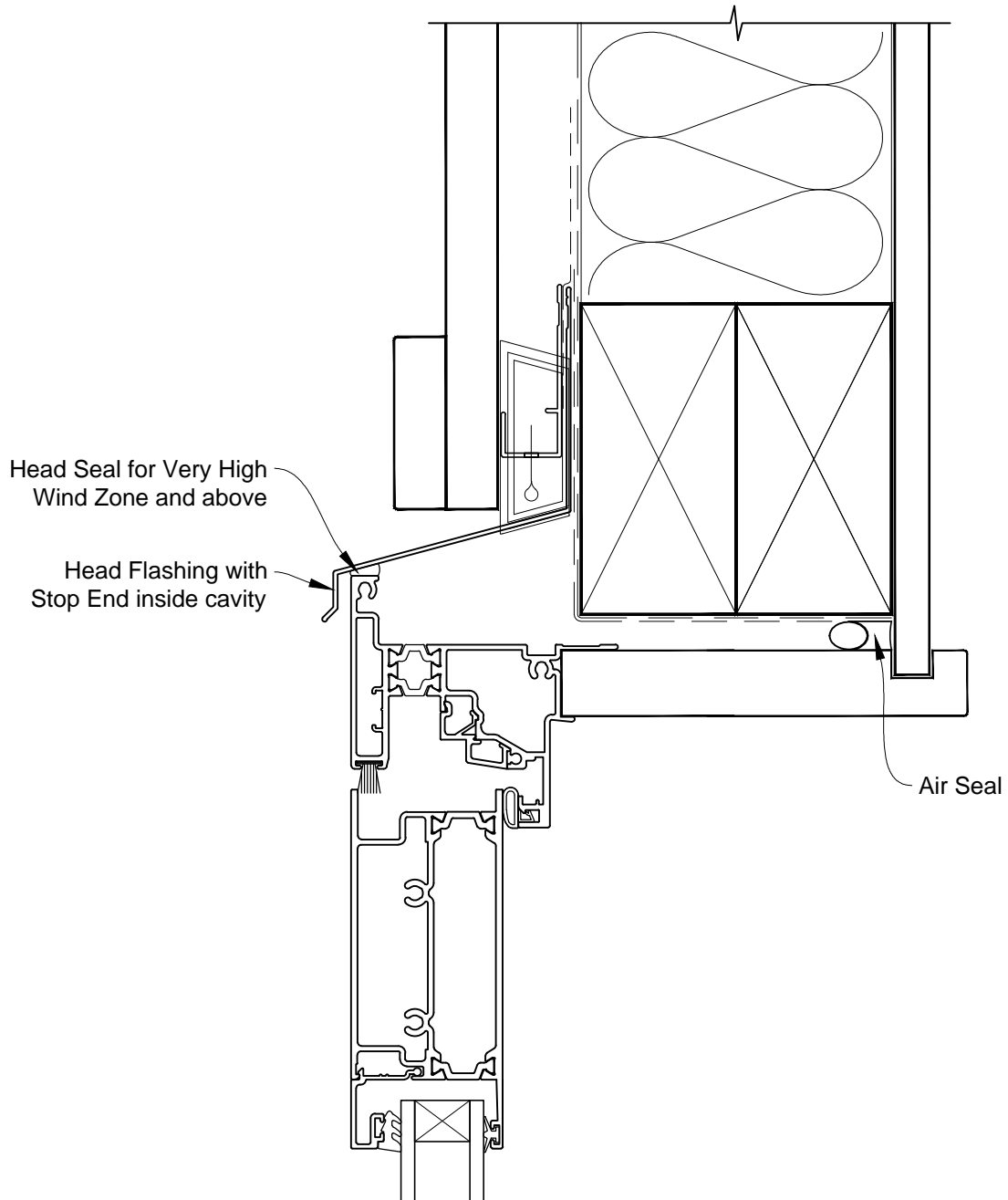


# INSTALLATION DETAIL - METRO THERMAL HEART BIFOLD DOOR OPEN OUT ON BOARD & BATTEN CAVITY CONSTRUCTION

Date: 01.03.14

Scale: 1:2

CAD Ref.: MTBOBB-CH



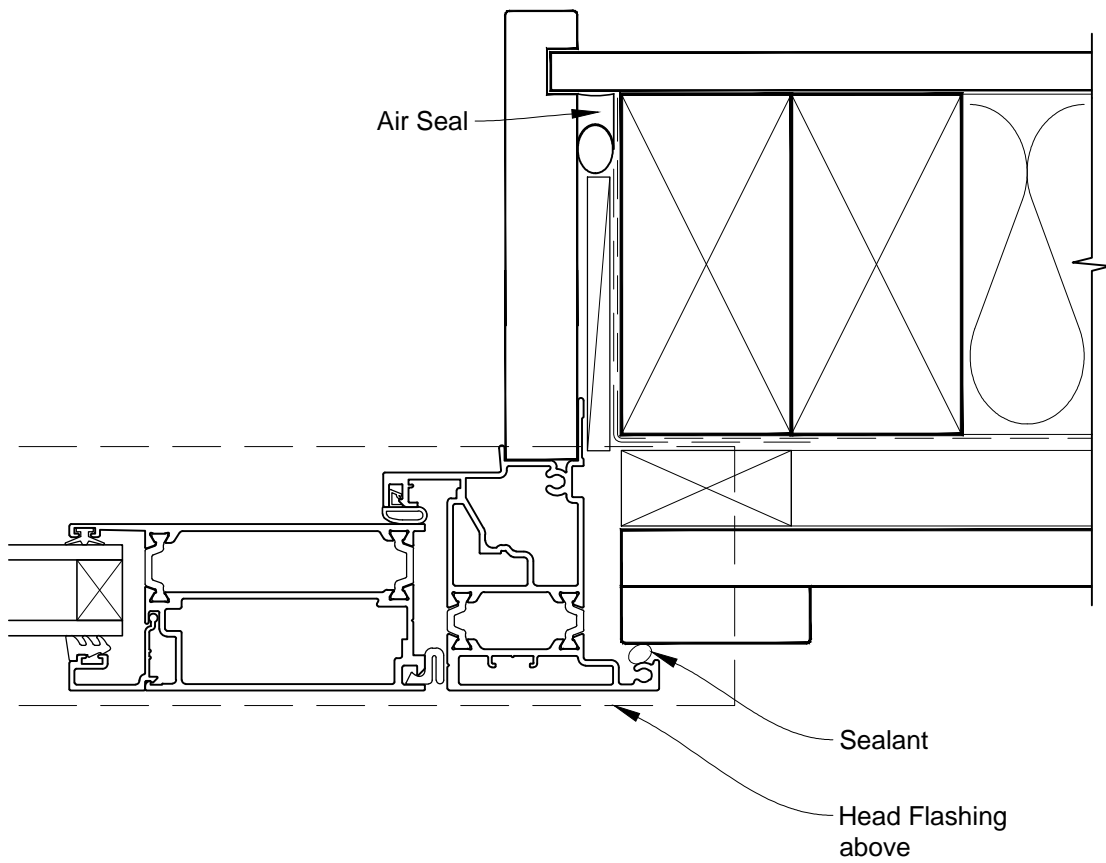


# INSTALLATION DETAIL - METRO THERMAL HEART BIFOLD DOOR OPEN OUT ON BOARD & BATTEN CAVITY CONSTRUCTION

Date: 01.03.14

Scale: 1:2

CAD Ref.: MTBOBB-CJ



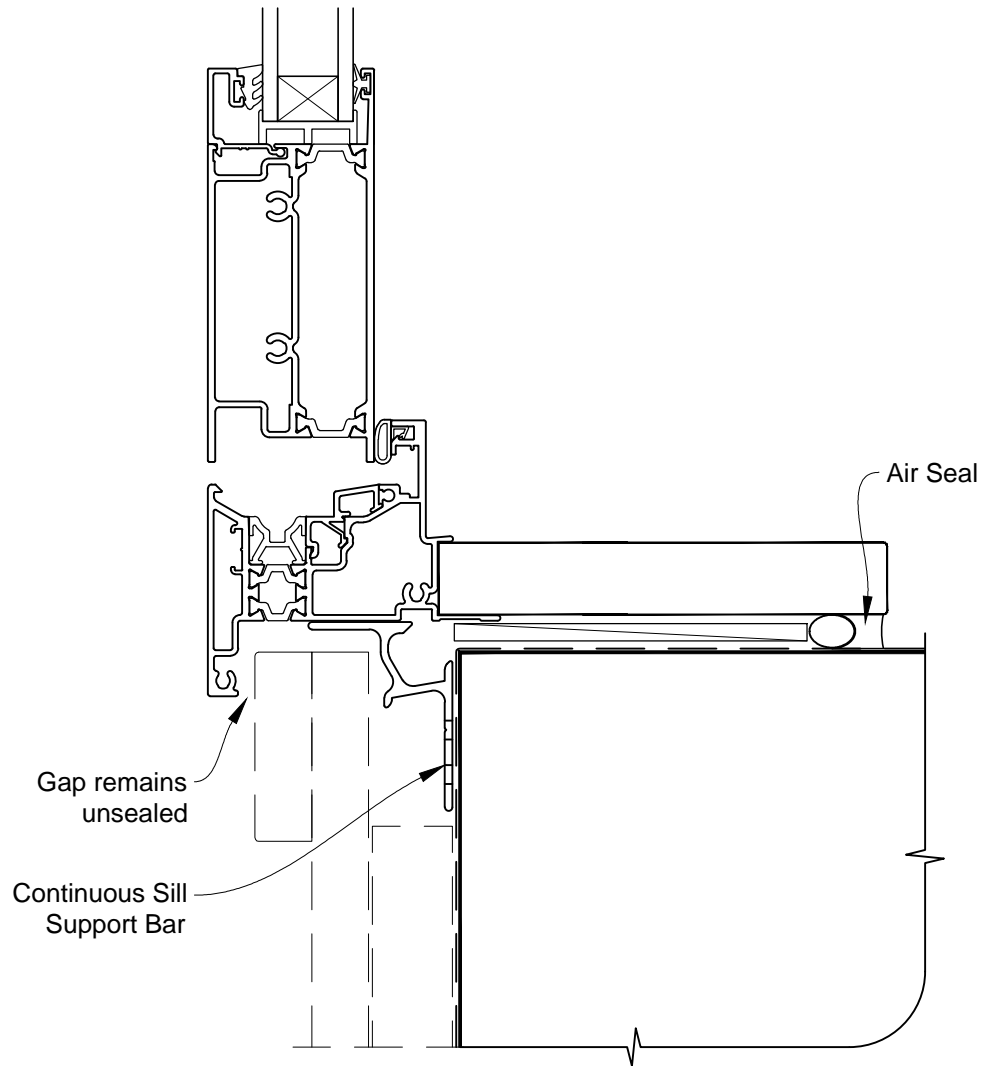


# INSTALLATION DETAIL - METRO THERMAL HEART BIFOLD DOOR OPEN OUT ON BOARD & BATTEN CAVITY CONSTRUCTION

Date: 01.03.14

Scale: 1:2

CAD Ref.: MTBOBB-CS



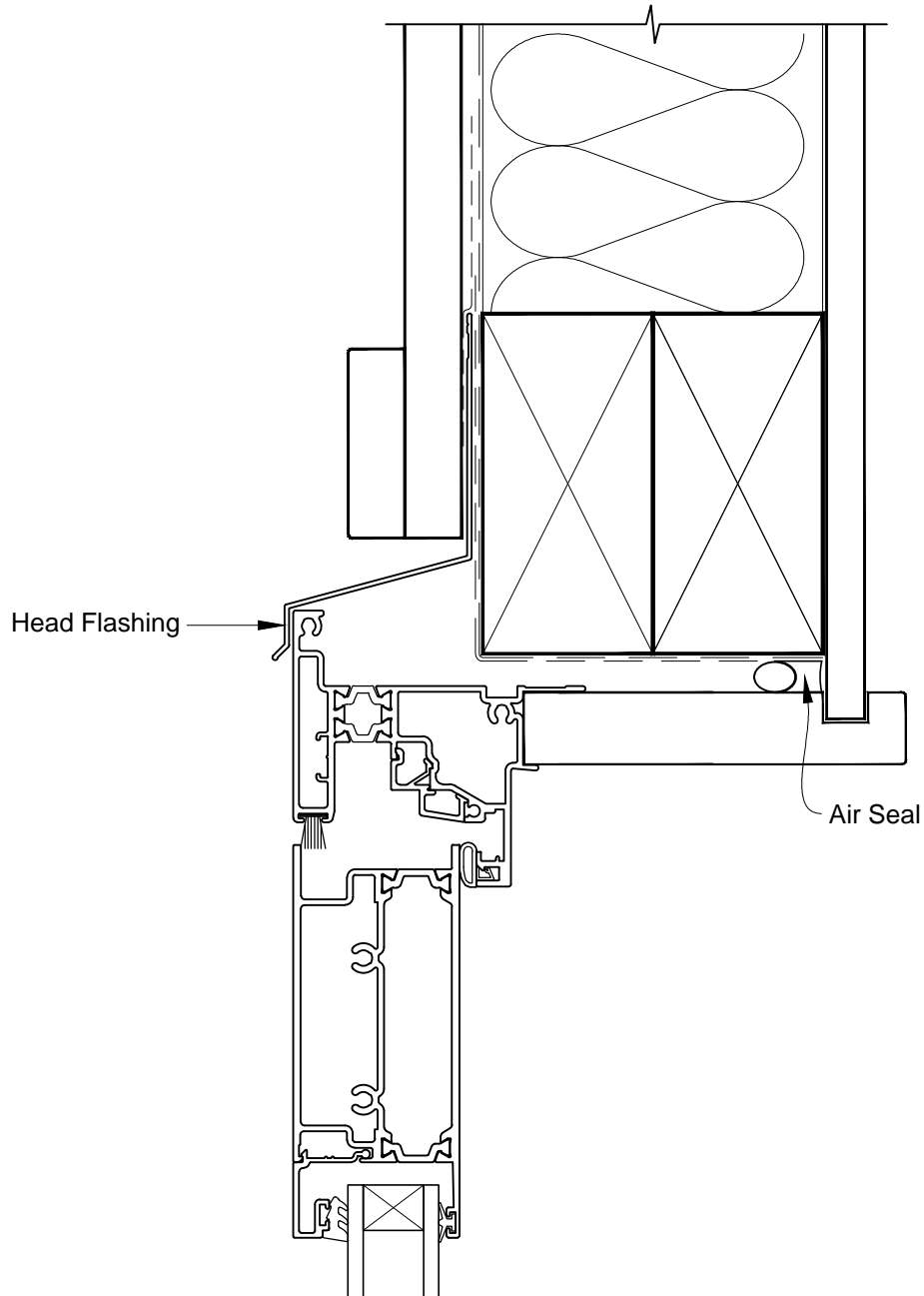


# INSTALLATION DETAIL - METRO THERMAL HEART BIFOLD DOOR OPEN OUT ON BOARD & BATTEN DIRECT FIXED CLADDING

Date: 01.03.14

Scale: 1:2

CAD Ref.: MTBOBB-DH



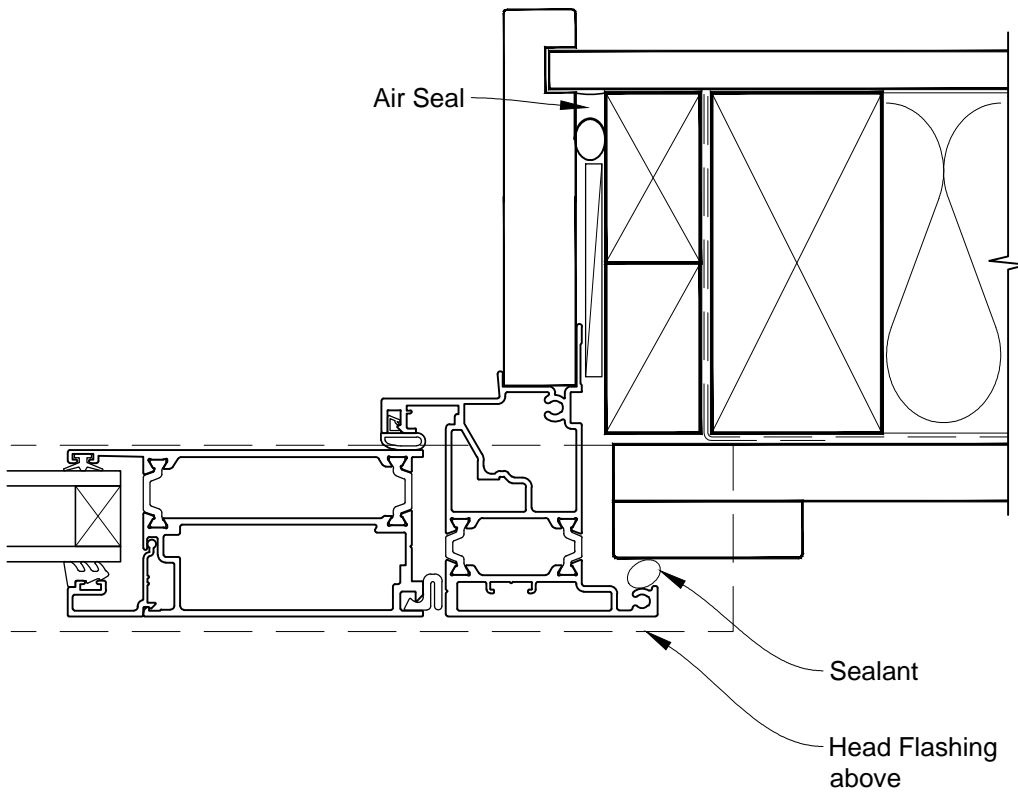


# INSTALLATION DETAIL - METRO THERMAL HEART BIFOLD DOOR OPEN OUT ON BOARD & BATTEN DIRECT FIXED CLADDING

Date: 01.03.14

Scale: 1:2

CAD Ref.: MTBOBB-DJ





# INSTALLATION DETAIL - METRO THERMAL HEART BIFOLD DOOR OPEN OUT ON BOARD & BATTEN DIRECT FIXED CLADDING

Date: 01.03.14

Scale: 1:2

CAD Ref.: MTBOBB-DS

