

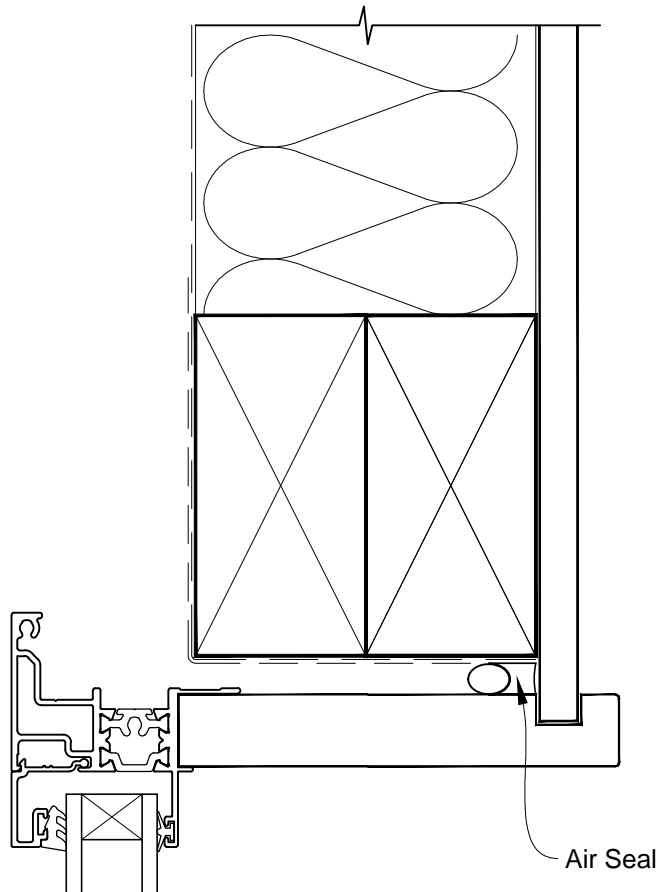


# INSTALLATION DETAIL - METRO THERMAL HEART AWNING WINDOW ON NO CLADDING CAVITY CONSTRUCTION

Date: 01.03.14

Scale: 1:2

CAD Ref.: MTAWNC-CH



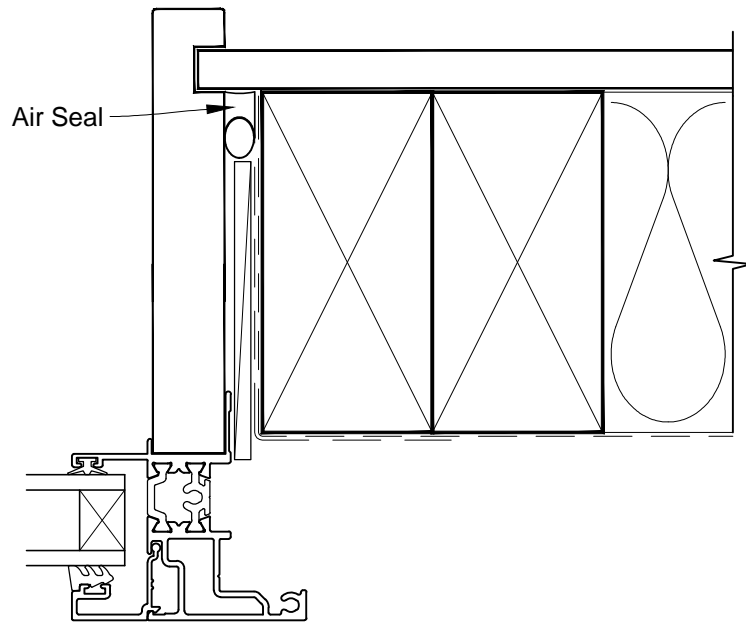


# INSTALLATION DETAIL - METRO THERMAL HEART AWNING WINDOW ON NO CLADDING CAVITY CONSTRUCTION

Date: 01.03.14

Scale: 1:2

CAD Ref.: MTAWNC-CJ



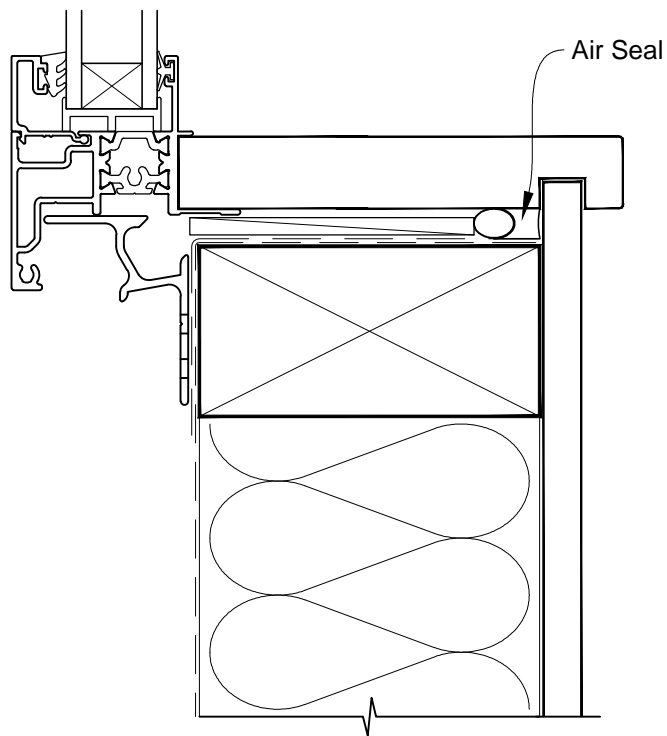


# INSTALLATION DETAIL - METRO THERMAL HEART AWNING WINDOW ON NO CLADDING CAVITY CONSTRUCTION

Date: 01.03.14

Scale: 1:2

CAD Ref.: MTAWNC-CS



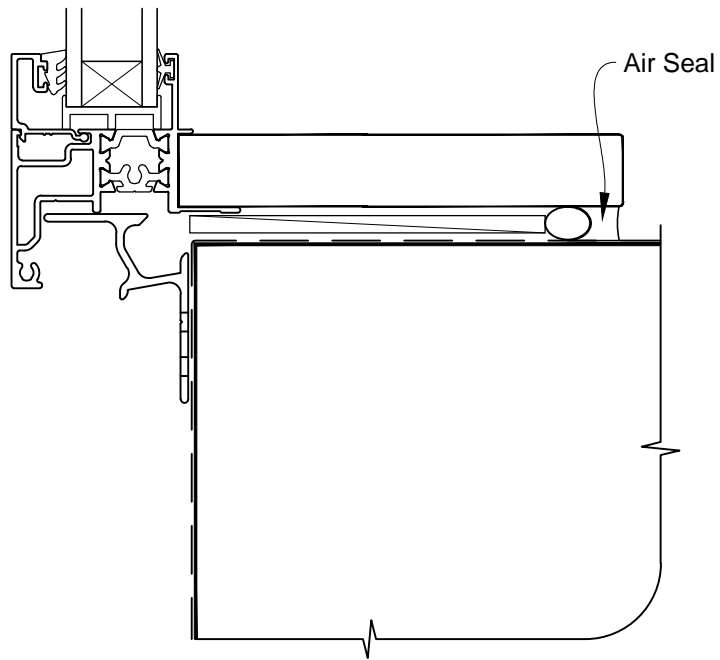


# INSTALLATION DETAIL - METRO THERMAL HEART AWNING WINDOW ON NO CLADDING CAVITY CONSTRUCTION

Date: 01.03.14

Scale: 1:2

CAD Ref.: MTAWNC-CS2



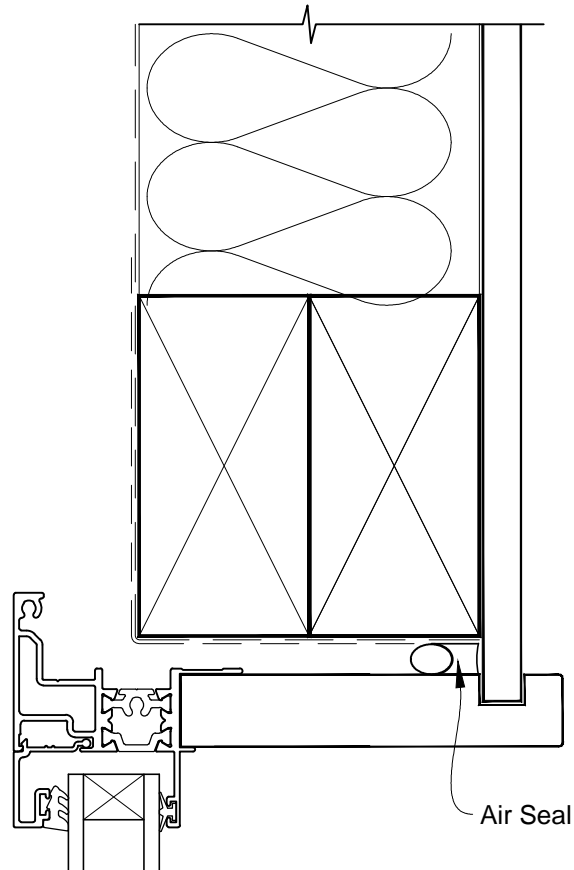


**INSTALLATION DETAIL - METRO THERMAL HEART  
AWNING WINDOW ON NO CLADDING  
DIRECT FIXED CLADDING**

Date: 01.03.14

Scale: 1:2

CAD Ref.: MTAWNC-DH



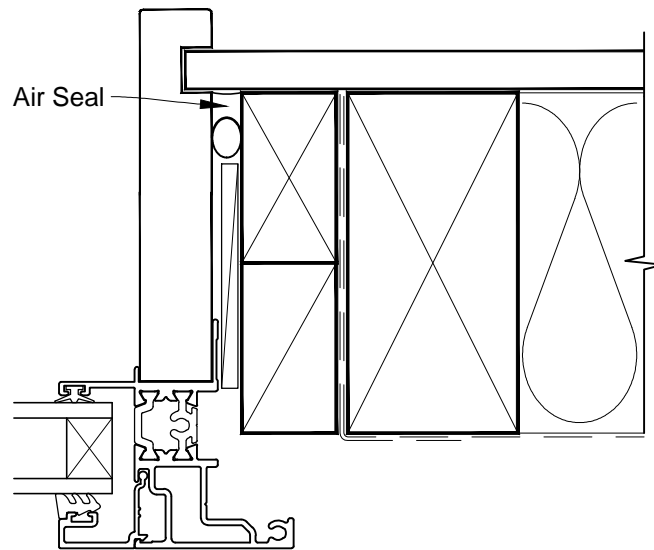


**INSTALLATION DETAIL - METRO THERMAL HEART  
AWNING WINDOW ON NO CLADDING  
DIRECT FIXED CLADDING**

Date: 01.03.14

Scale: 1:2

CAD Ref.: MTAWNC-DJ



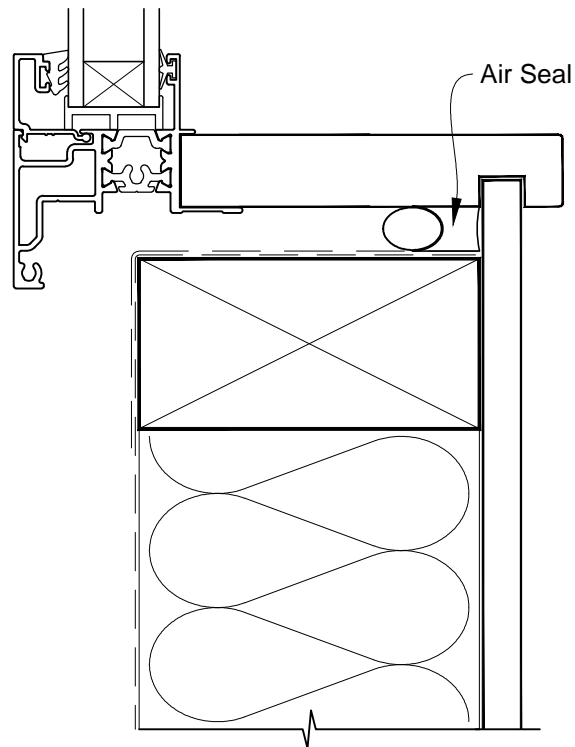


**INSTALLATION DETAIL - METRO THERMAL HEART  
AWNING WINDOW ON NO CLADDING  
DIRECT FIXED CLADDING**

Date: 01.03.14

Scale: 1:2

CAD Ref.: MTAWNC-DS





**INSTALLATION DETAIL - METRO THERMAL HEART  
AWNING WINDOW ON NO CLADDING  
DIRECT FIXED CLADDING**

Date: 01.03.14

Scale: 1:2

CAD Ref.: MTAWNC-DS2

