

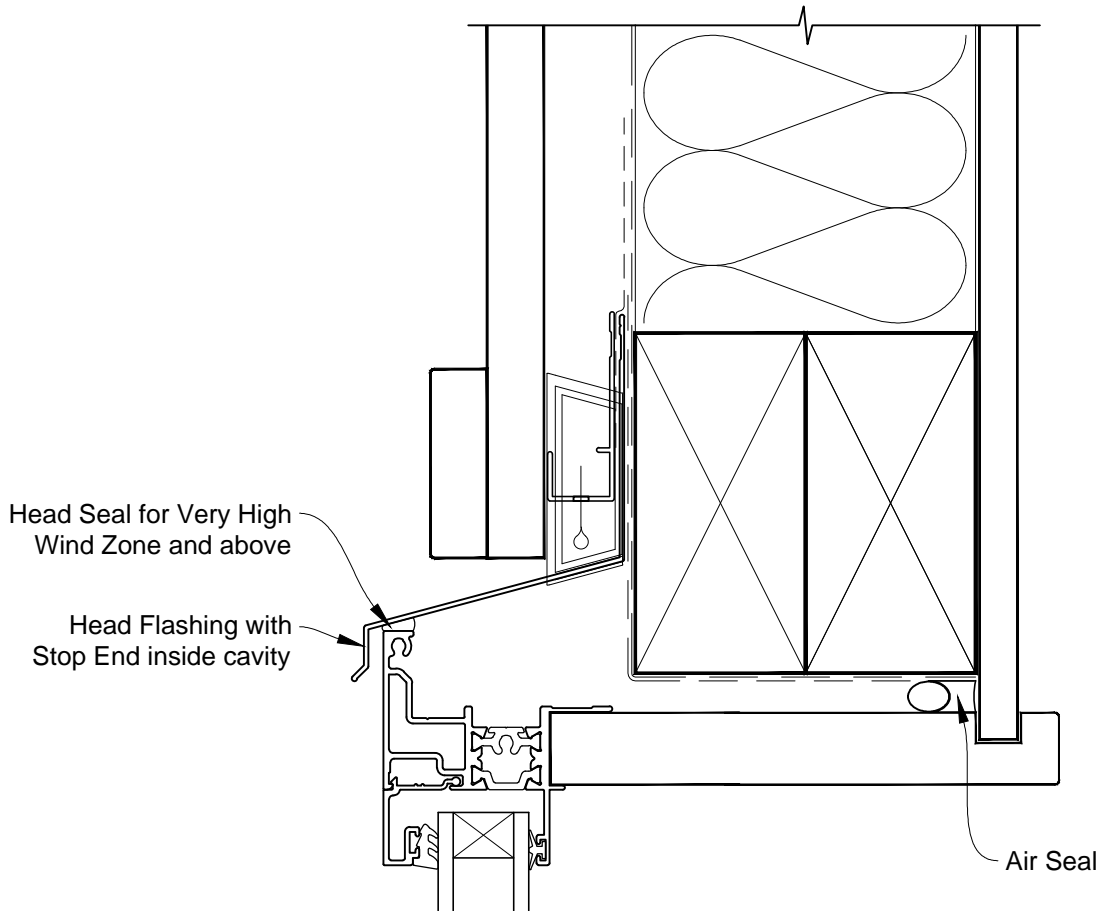


INSTALLATION DETAIL - METRO THERMAL HEART AWNING WINDOW ON BOARD & BATTEN CAVITY CONSTRUCTION

Date: 01.03.14

Scale: 1:2

CAD Ref.: MTAWBB-CH



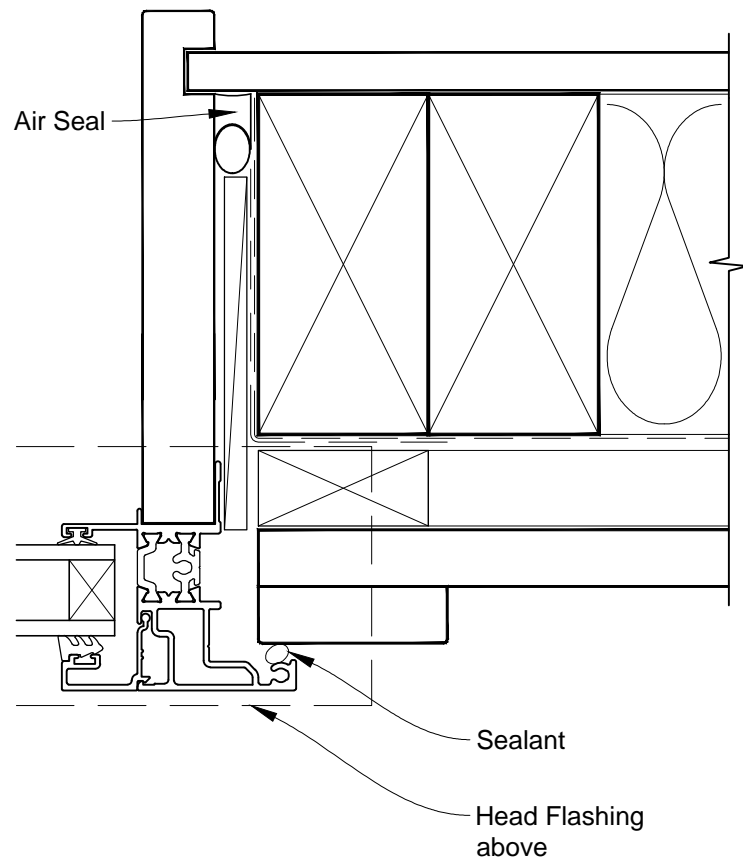


INSTALLATION DETAIL - METRO THERMAL HEART AWNING WINDOW ON BOARD & BATTEN CAVITY CONSTRUCTION

Date: 01.03.14

Scale: 1:2

CAD Ref.: MTAWBB-CJ



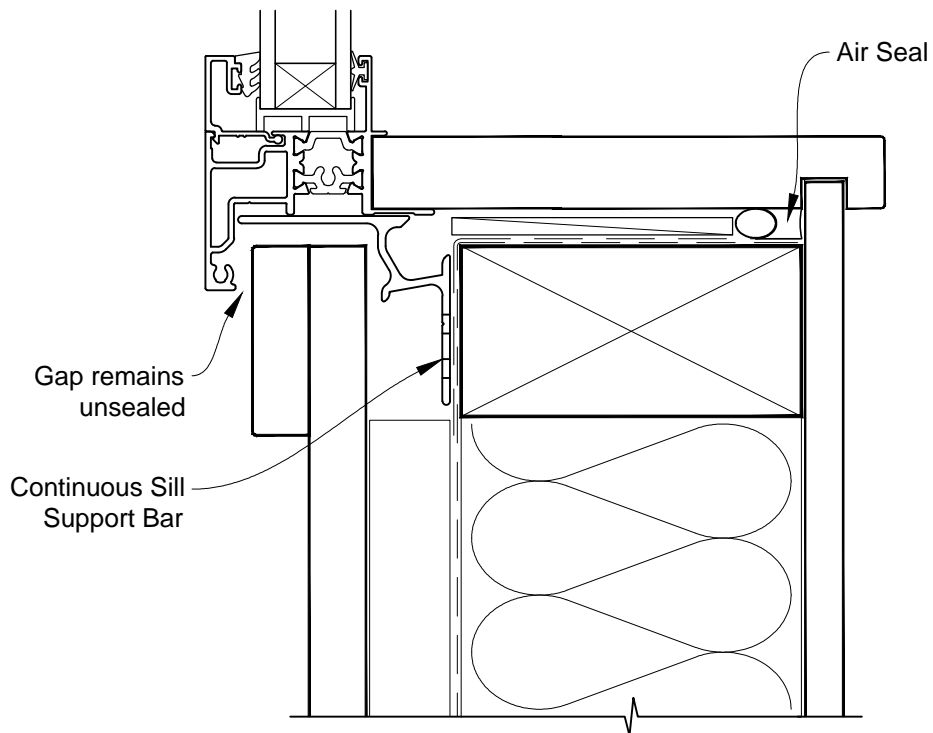


INSTALLATION DETAIL - METRO THERMAL HEART AWNING WINDOW ON BOARD & BATTEN CAVITY CONSTRUCTION

Date: 01.03.14

Scale: 1:2

CAD Ref.: MTAWBB-CS



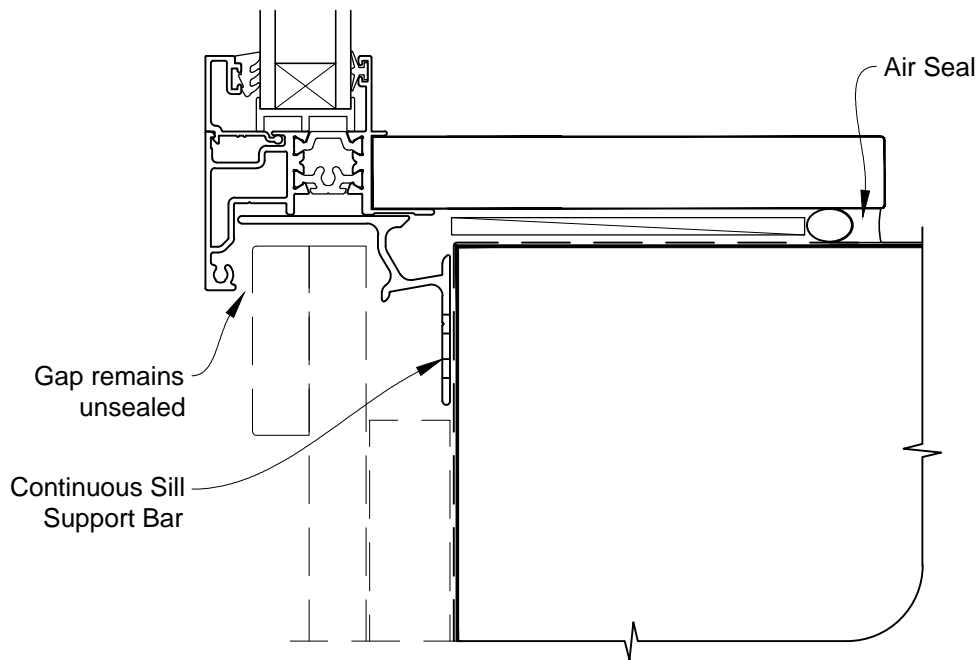


INSTALLATION DETAIL - METRO THERMAL HEART AWNING WINDOW ON BOARD & BATTEN CAVITY CONSTRUCTION

Date: 01.03.14

Scale: 1:2

CAD Ref.: MTAWBB-CS2



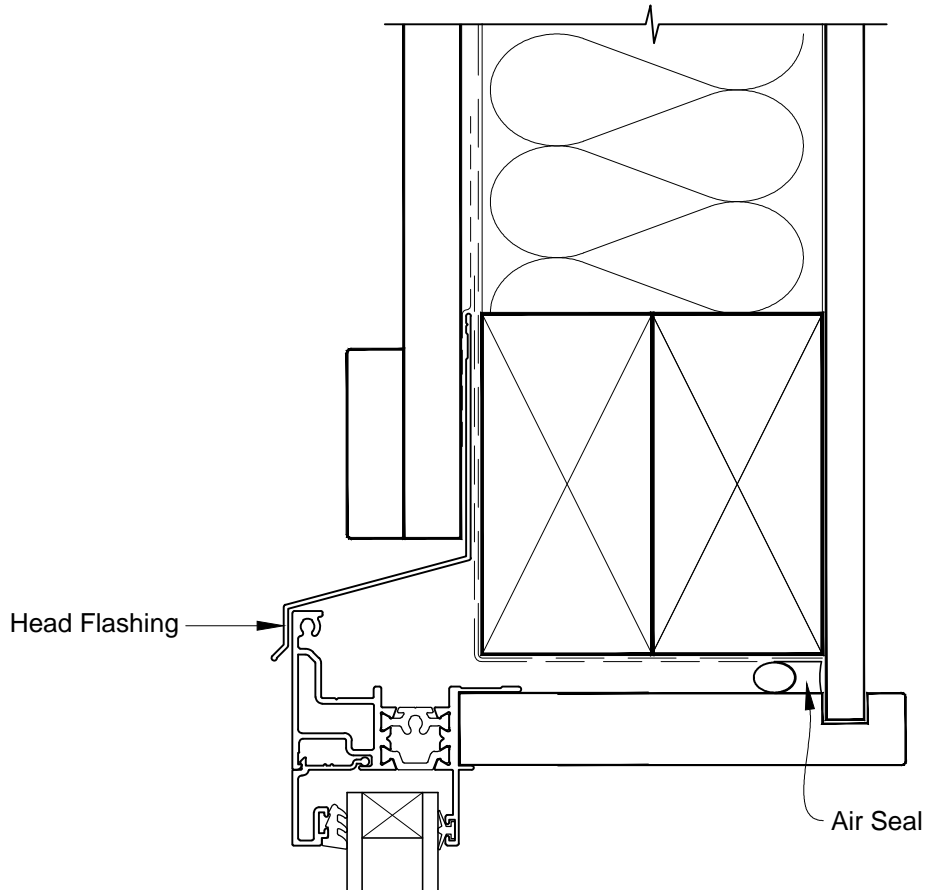


INSTALLATION DETAIL - METRO THERMAL HEART AWNING WINDOW ON BOARD & BATTEN DIRECT FIXED CLADDING

Date: 01.03.14

Scale: 1:2

CAD Ref.: MTAWBB-DH



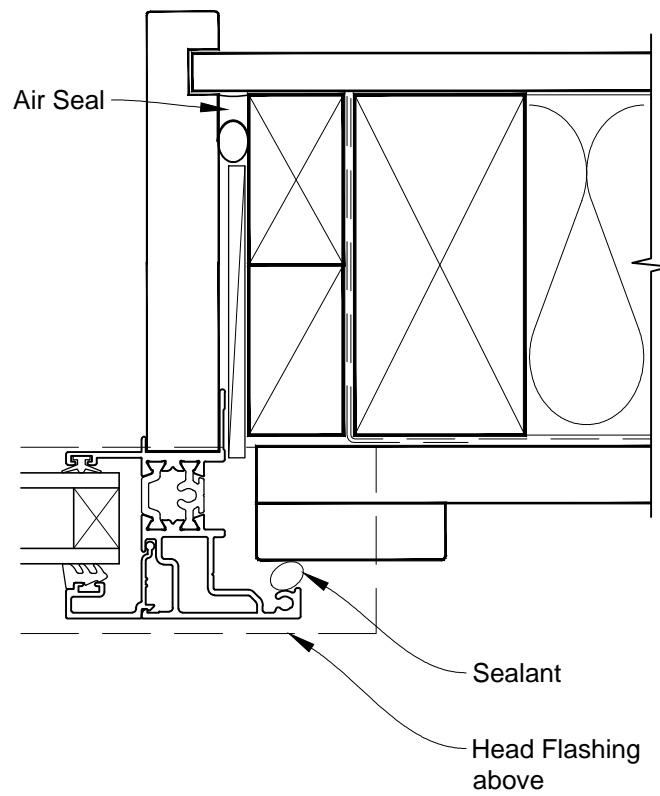


INSTALLATION DETAIL - METRO THERMAL HEART AWNING WINDOW ON BOARD & BATTEN DIRECT FIXED CLADDING

Date: 01.03.14

Scale: 1:2

CAD Ref.: MTAWBB-DJ



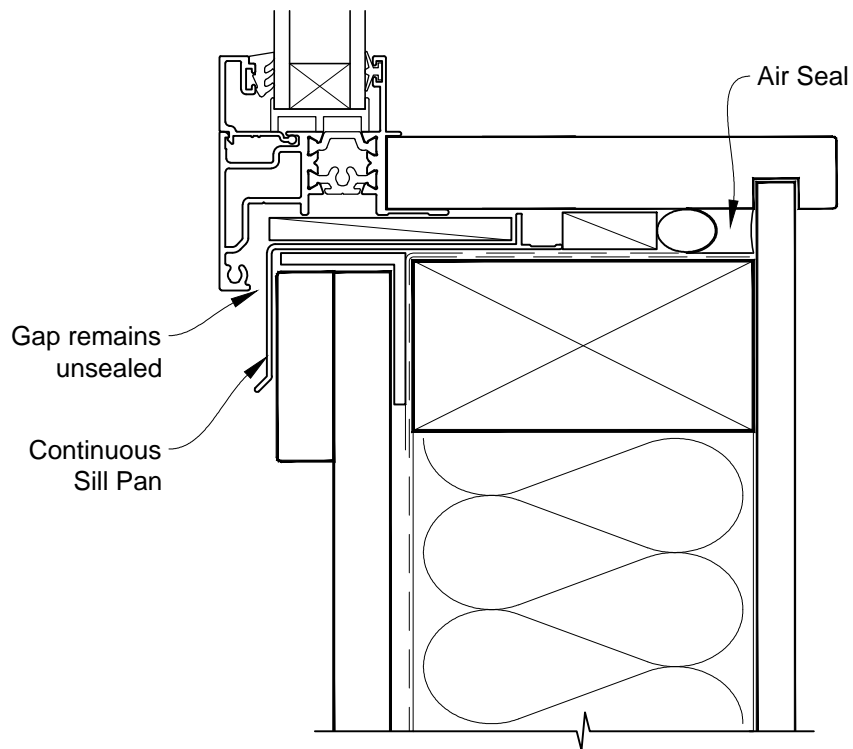


**INSTALLATION DETAIL - METRO THERMAL HEART
AWNING WINDOW ON BOARD & BATTEN
DIRECT FIXED CLADDING**

Date: 01.03.14

Scale: 1:2

CAD Ref.: MTAWBB-DS





INSTALLATION DETAIL - METRO THERMAL HEART AWNING WINDOW ON BOARD & BATTEN DIRECT FIXED CLADDING

Date: 01.03.14

Scale: 1:2

CAD Ref.: MTAWBB-DS2

