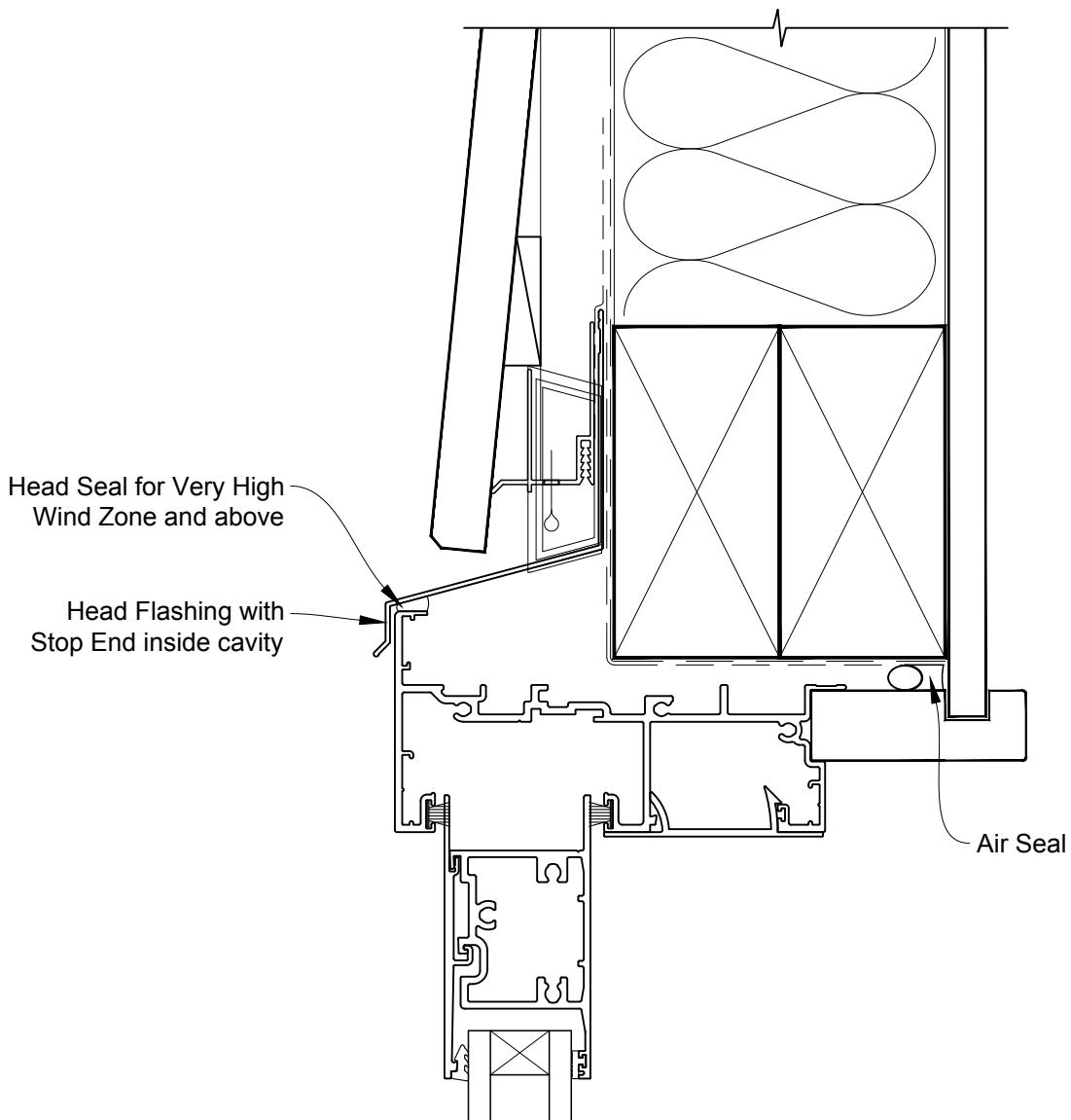


INSTALLATION DETAIL - METRO SERIES SLIDING WINDOW ON BEVELBACK WEATHERBOARD CAVITY CONSTRUCTION

Date: 01.10.16

Scale: 1:2

CAD Ref.: MSSWBW-CH

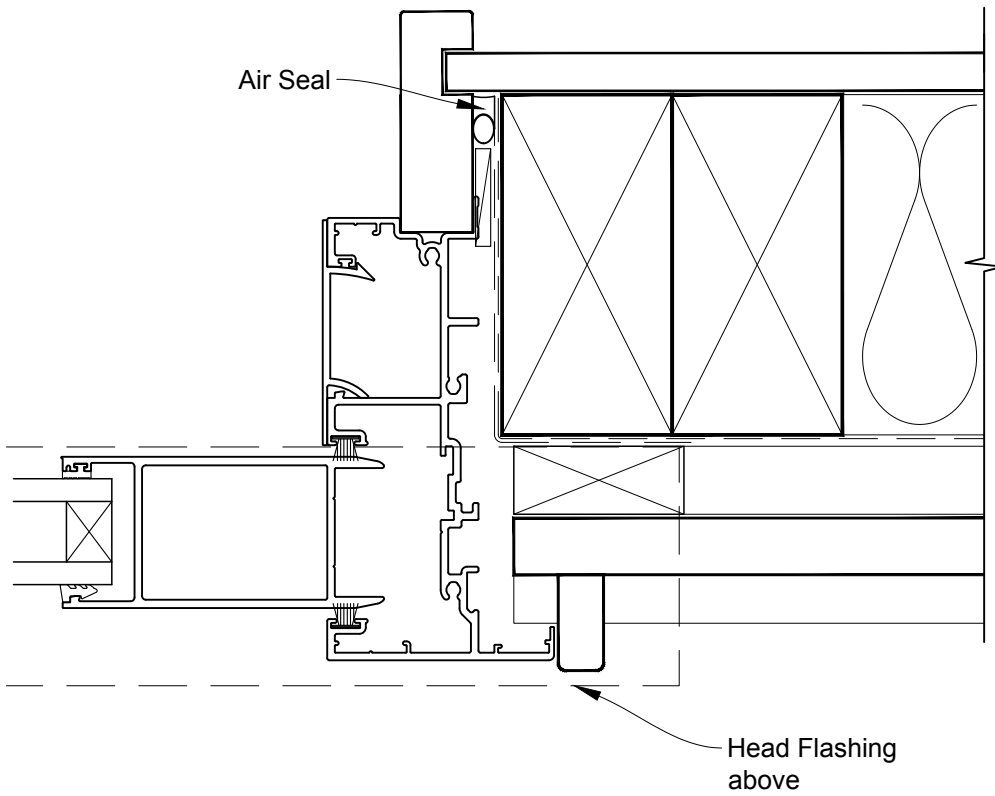


**INSTALLATION DETAIL - METRO SERIES
SLIDING WINDOW ON BEVELBACK WEATHERBOARD
CAVITY CONSTRUCTION**

Date: 01.10.16

Scale: 1:2

CAD Ref.: MSSWBW-CJ

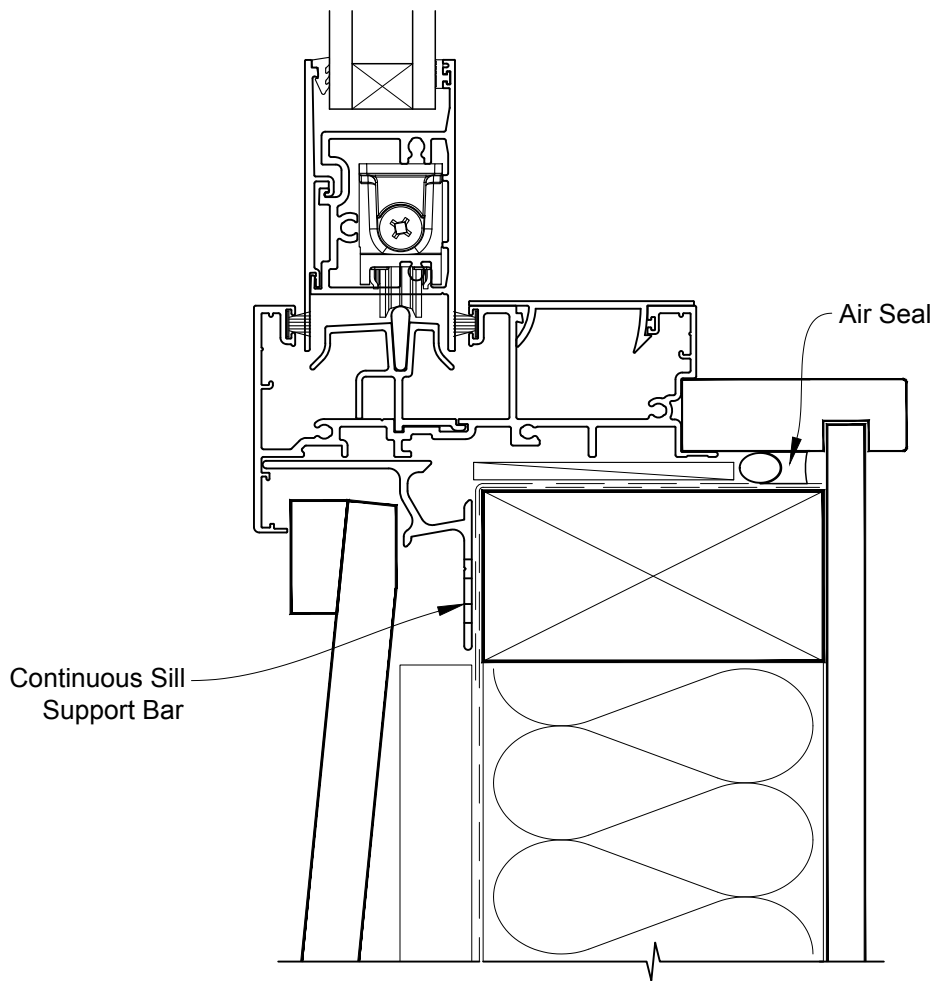


**INSTALLATION DETAIL - METRO SERIES
SLIDING WINDOW ON BEVELBACK WEATHERBOARD
CAVITY CONSTRUCTION**

Date: 01.10.16

Scale: 1:2

CAD Ref.: MSSWBW-CS

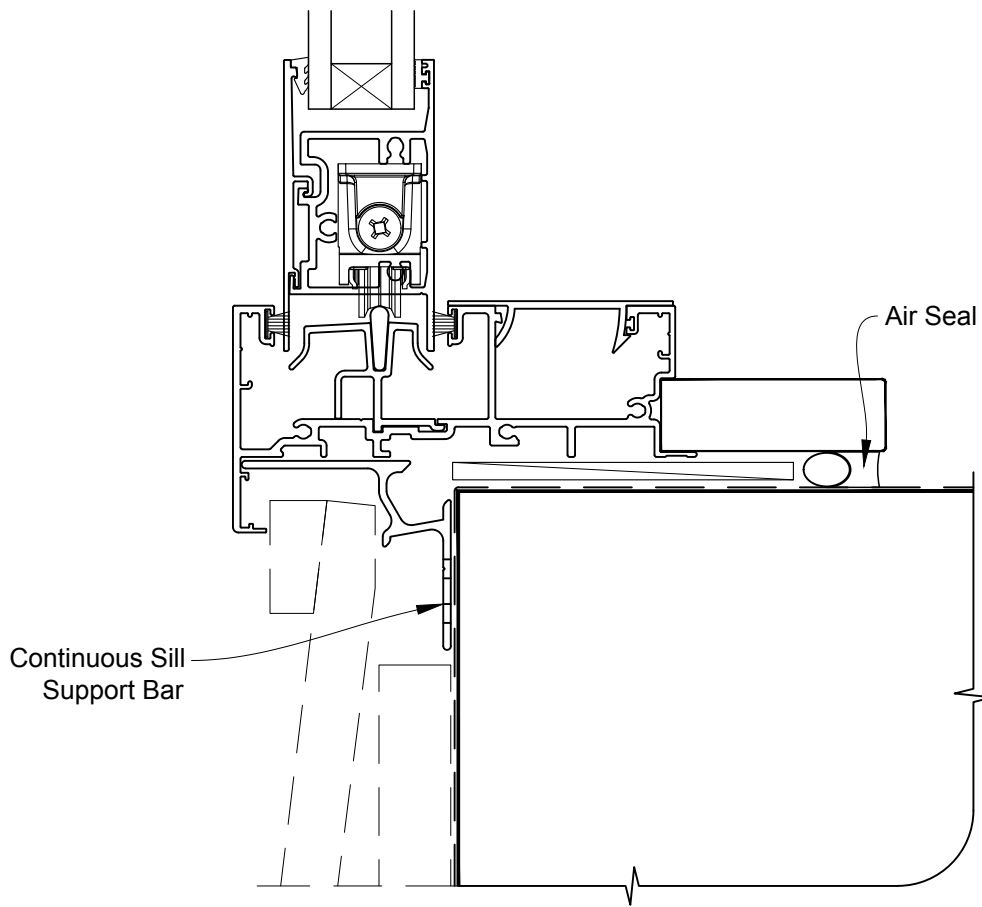


**INSTALLATION DETAIL - METRO SERIES
SLIDING WINDOW ON BEVELBACK WEATHERBOARD
CAVITY CONSTRUCTION**

Date: 01.10.16

Scale: 1:2

CAD Ref.: MSSWBW-CS2

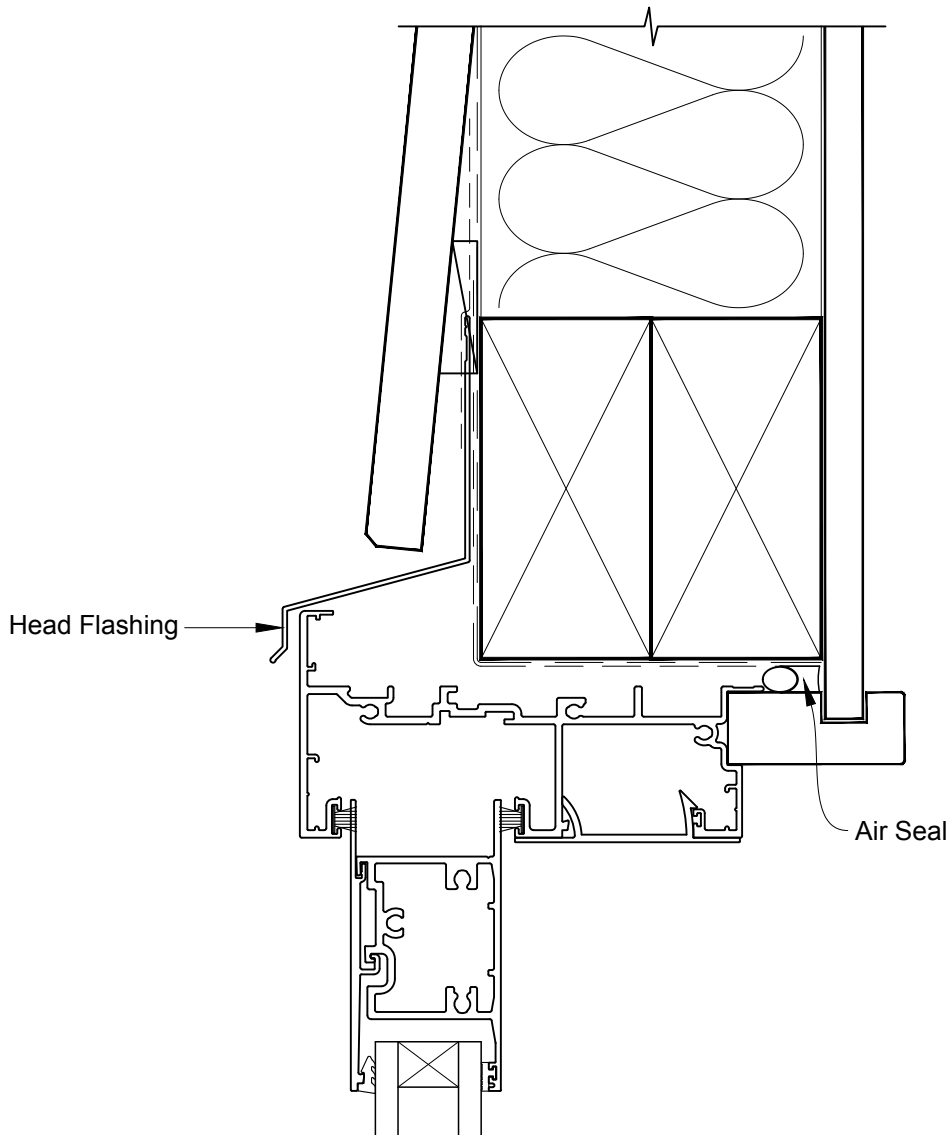


**INSTALLATION DETAIL - METRO SERIES
SLIDING WINDOW ON BEVELBACK WEATHERBOARD
DIRECT FIXED CLADDING**

Date: 01.10.16

Scale: 1:2

CAD Ref.: MSSWBW-DH

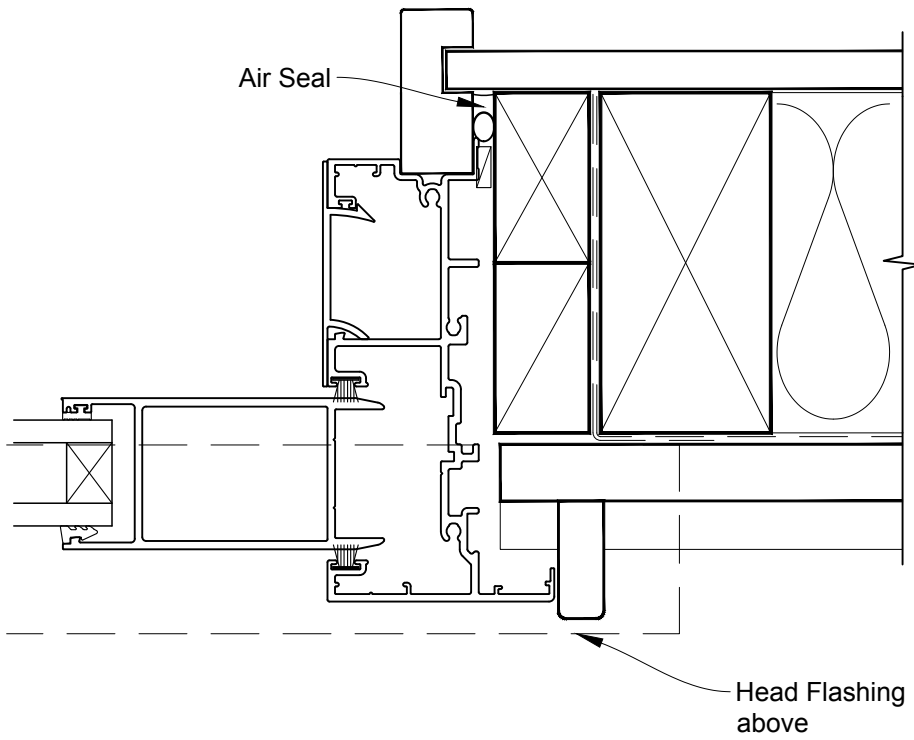


**INSTALLATION DETAIL - METRO SERIES
SLIDING WINDOW ON BEVELBACK WEATHERBOARD
DIRECT FIXED CLADDING**

Date: 01.10.16

Scale: 1:2

CAD Ref.: MSSWBW-DJ

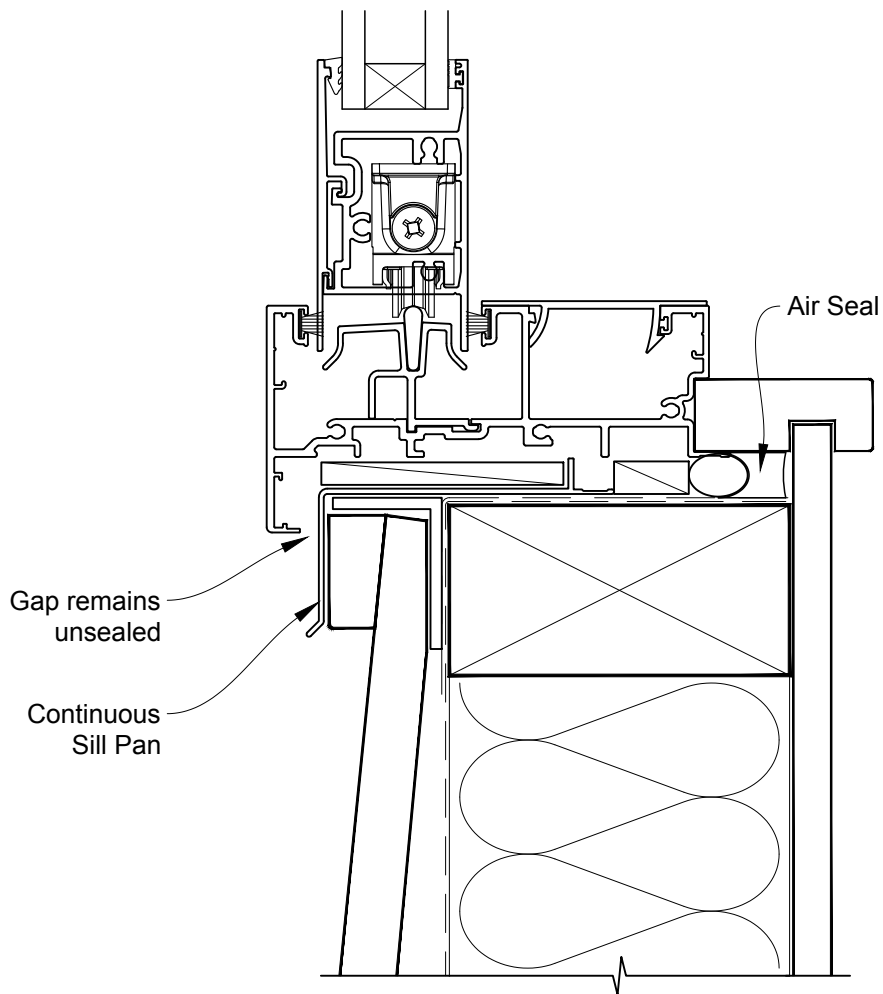


**INSTALLATION DETAIL - METRO SERIES
SLIDING WINDOW ON BEVELBACK WEATHERBOARD
DIRECT FIXED CLADDING**

Date: 01.10.16

Scale: 1:2

CAD Ref.: MSSWBW-DS



**INSTALLATION DETAIL - METRO SERIES
SLIDING WINDOW ON BEVELBACK WEATHERBOARD
DIRECT FIXED CLADDING**

Date: 01.10.16

Scale: 1:2

CAD Ref.: MSSWBW-DS2

