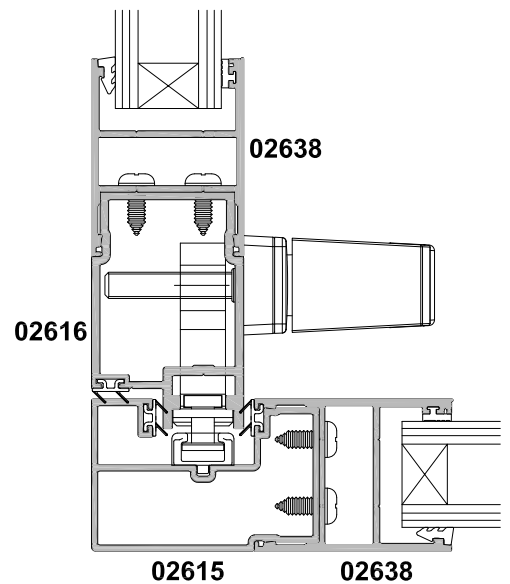
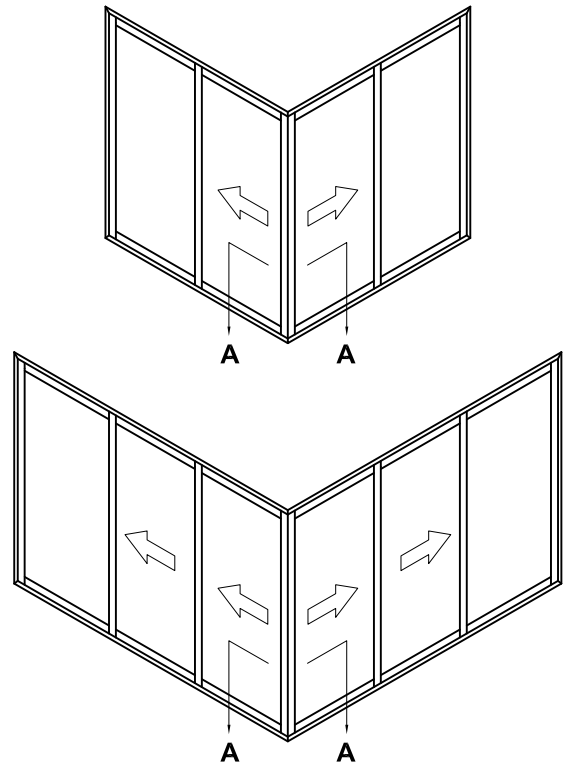


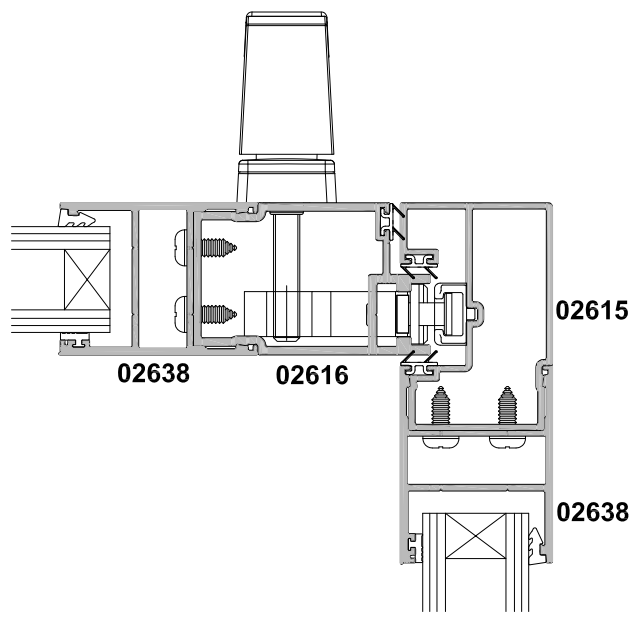
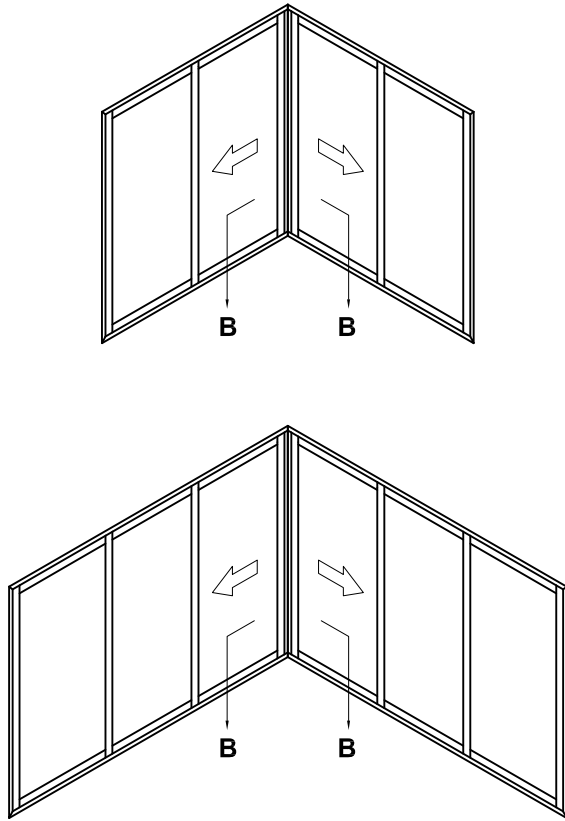
CROSS SECTION

Date 01.07.16 Scale 1:2



SECTION A-A

90° EXTERNAL CORNER



SECTION B-B

90° INTERNAL CORNER

Contact APL Technical Advisory Service for more information