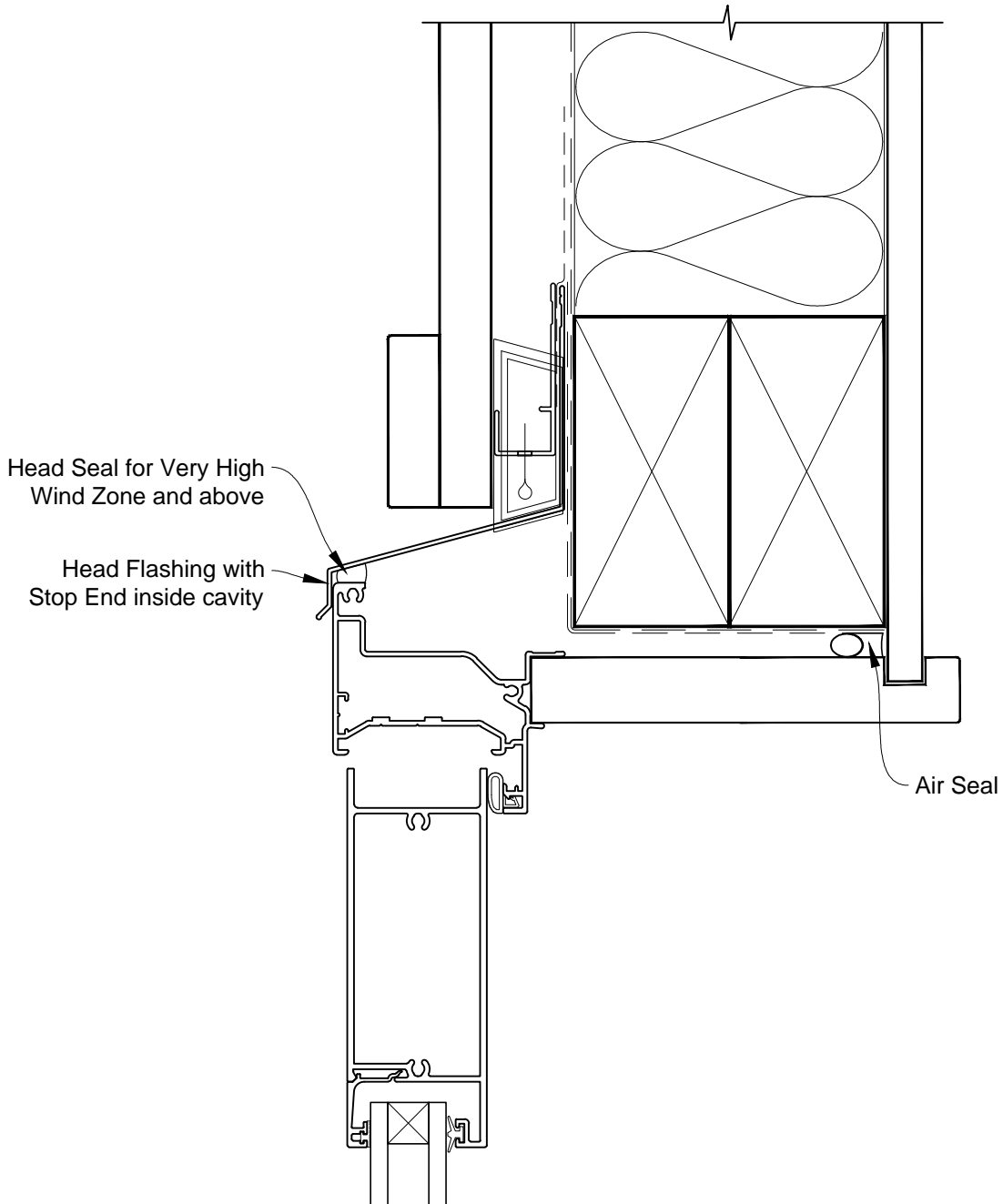


**INSTALLATION DETAIL - METRO SERIES
HINGED DOOR OPEN OUT ON BOARD & BATTEN
CAVITY CONSTRUCTION**

Date: 01.03.14

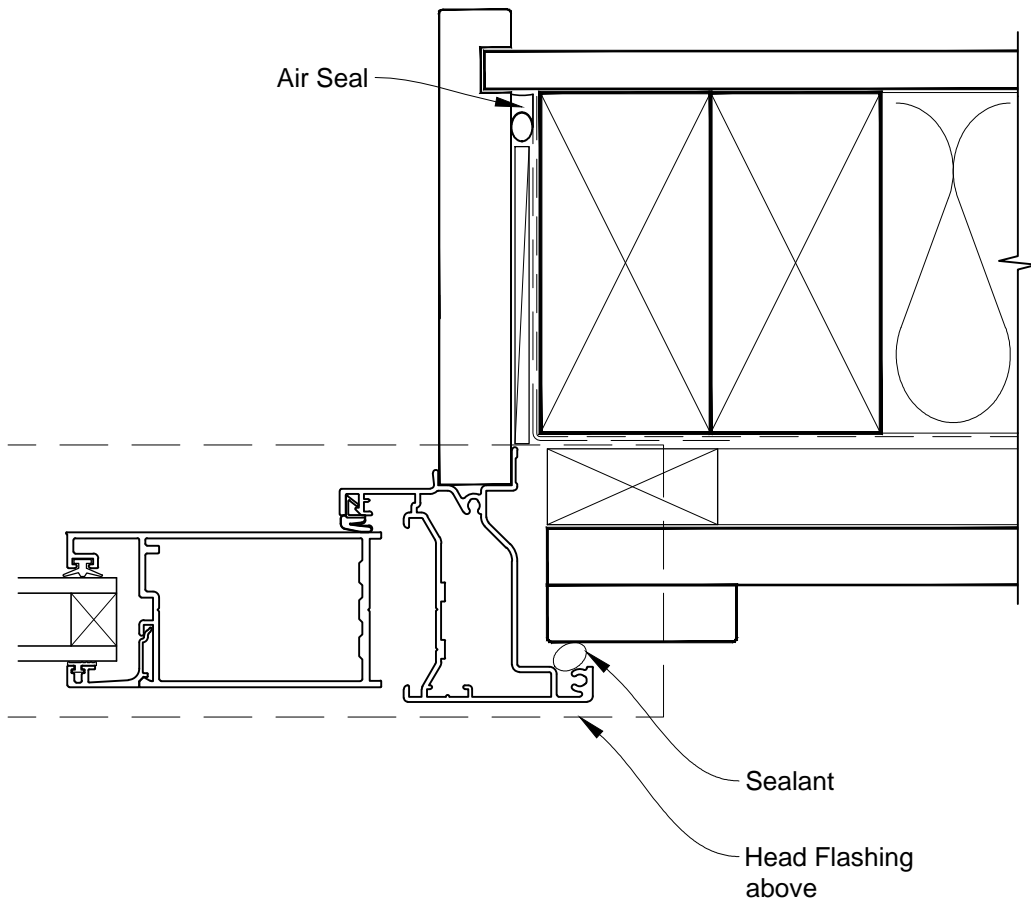
Scale: 1:2

CAD Ref.: MSHOBB-CH



**INSTALLATION DETAIL - METRO SERIES
HINGED DOOR OPEN OUT ON BOARD & BATTEN
CAVITY CONSTRUCTION**

Date: 01.03.14 Scale: 1:2 CAD Ref.: MSHOBB-CJ

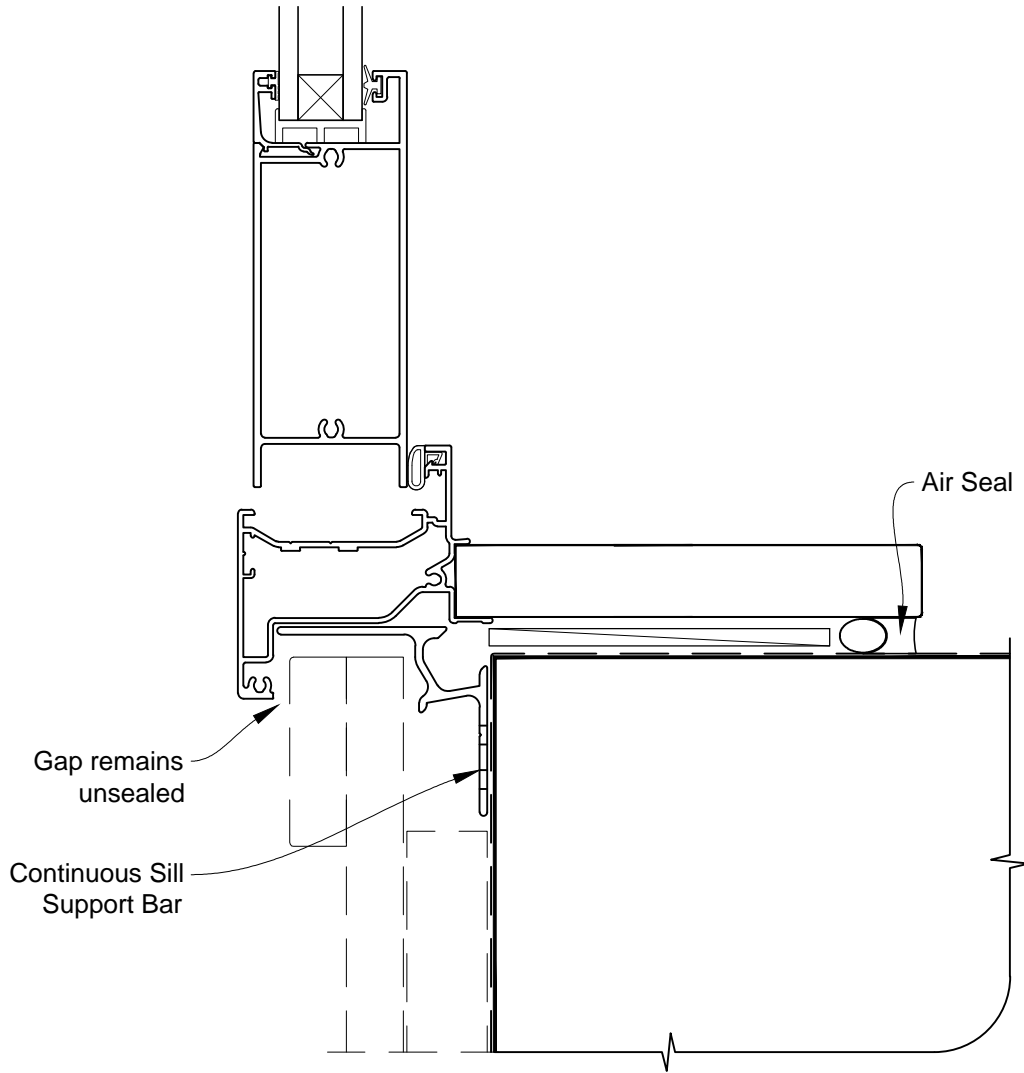


**INSTALLATION DETAIL - METRO SERIES
HINGED DOOR OPEN OUT ON BOARD & BATTEN
CAVITY CONSTRUCTION**

Date: 01.03.14

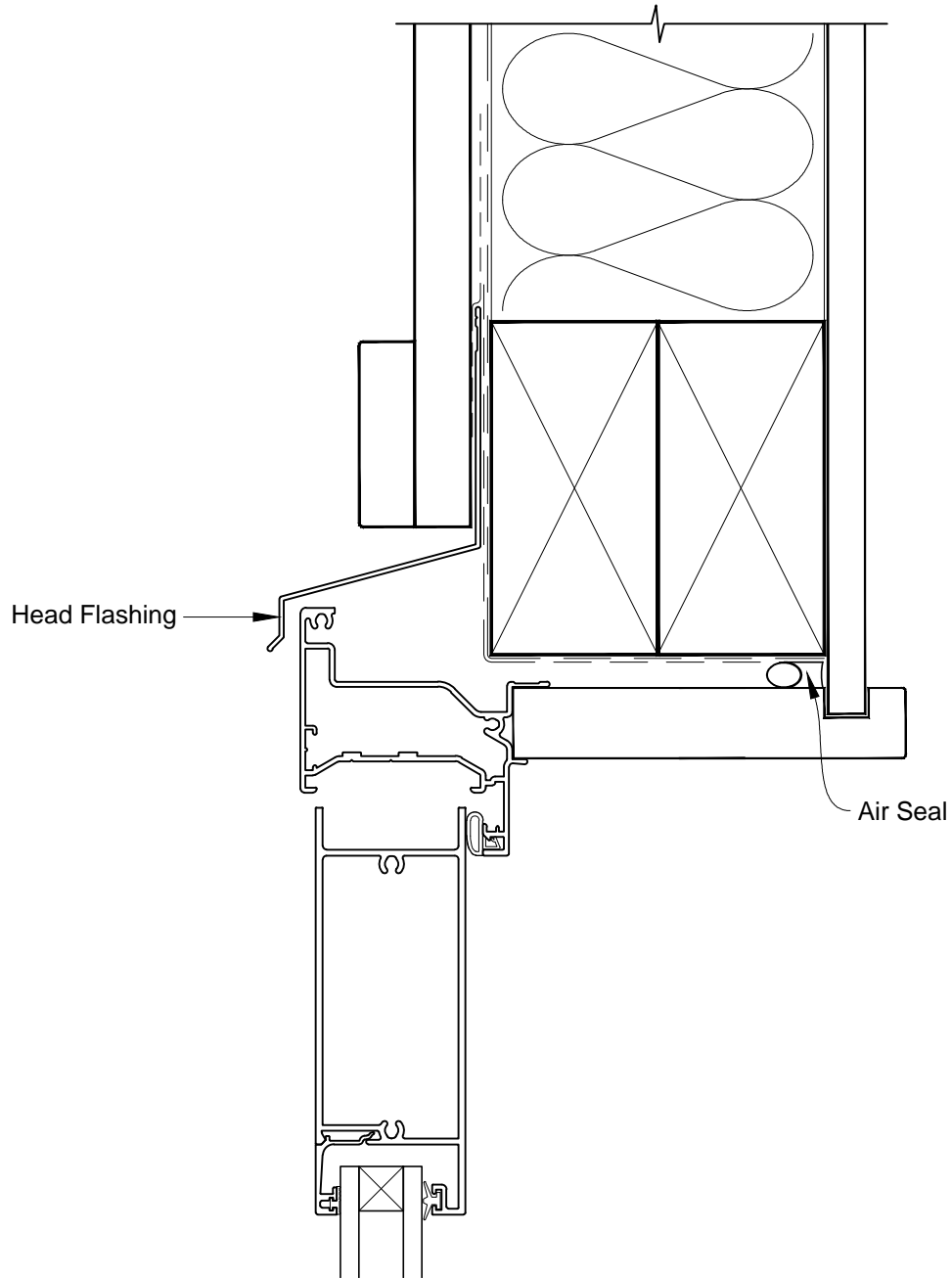
Scale: 1:2

CAD Ref.: MSHOBB-CS



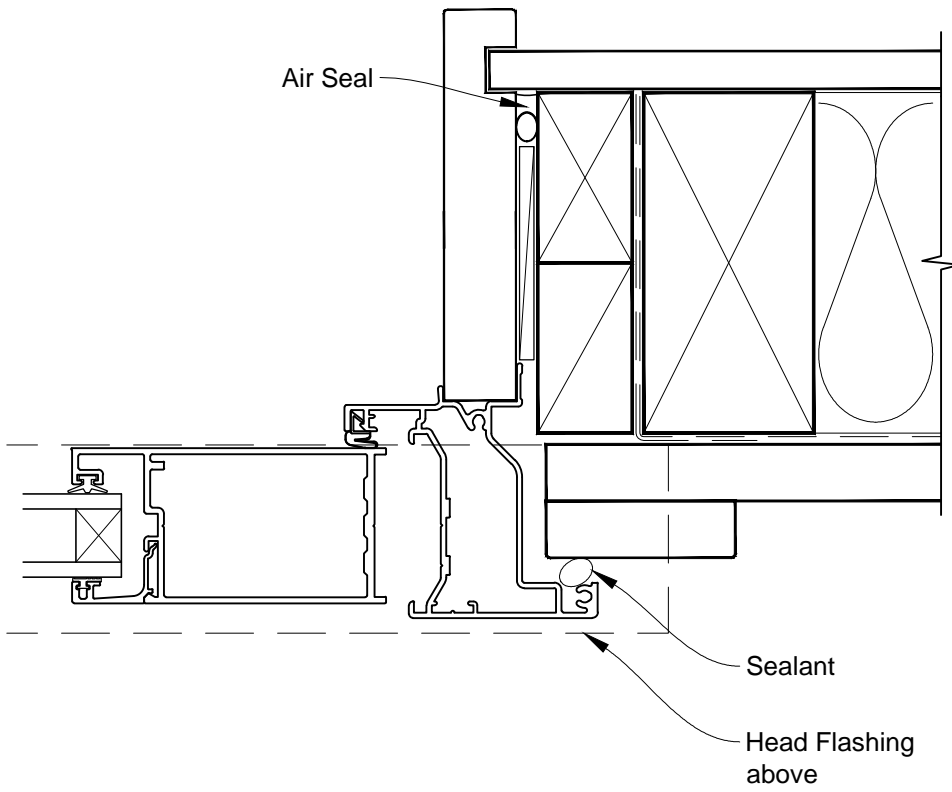
**INSTALLATION DETAIL - METRO SERIES
HINGED DOOR OPEN OUT ON BOARD & BATTEN
DIRECT FIXED CLADDING**

Date: 01.03.14 Scale: 1:2 CAD Ref.: MSHOBB-DH



**INSTALLATION DETAIL - METRO SERIES
HINGED DOOR OPEN OUT ON BOARD & BATTEN
DIRECT FIXED CLADDING**

Date: 01.03.14 Scale: 1:2 CAD Ref.: MSHOBB-DJ



**INSTALLATION DETAIL - METRO SERIES
HINGED DOOR OPEN OUT ON BOARD & BATTEN
DIRECT FIXED CLADDING**

Date: 01.03.14 Scale: 1:2 CAD Ref.: MSHOBB-DS

