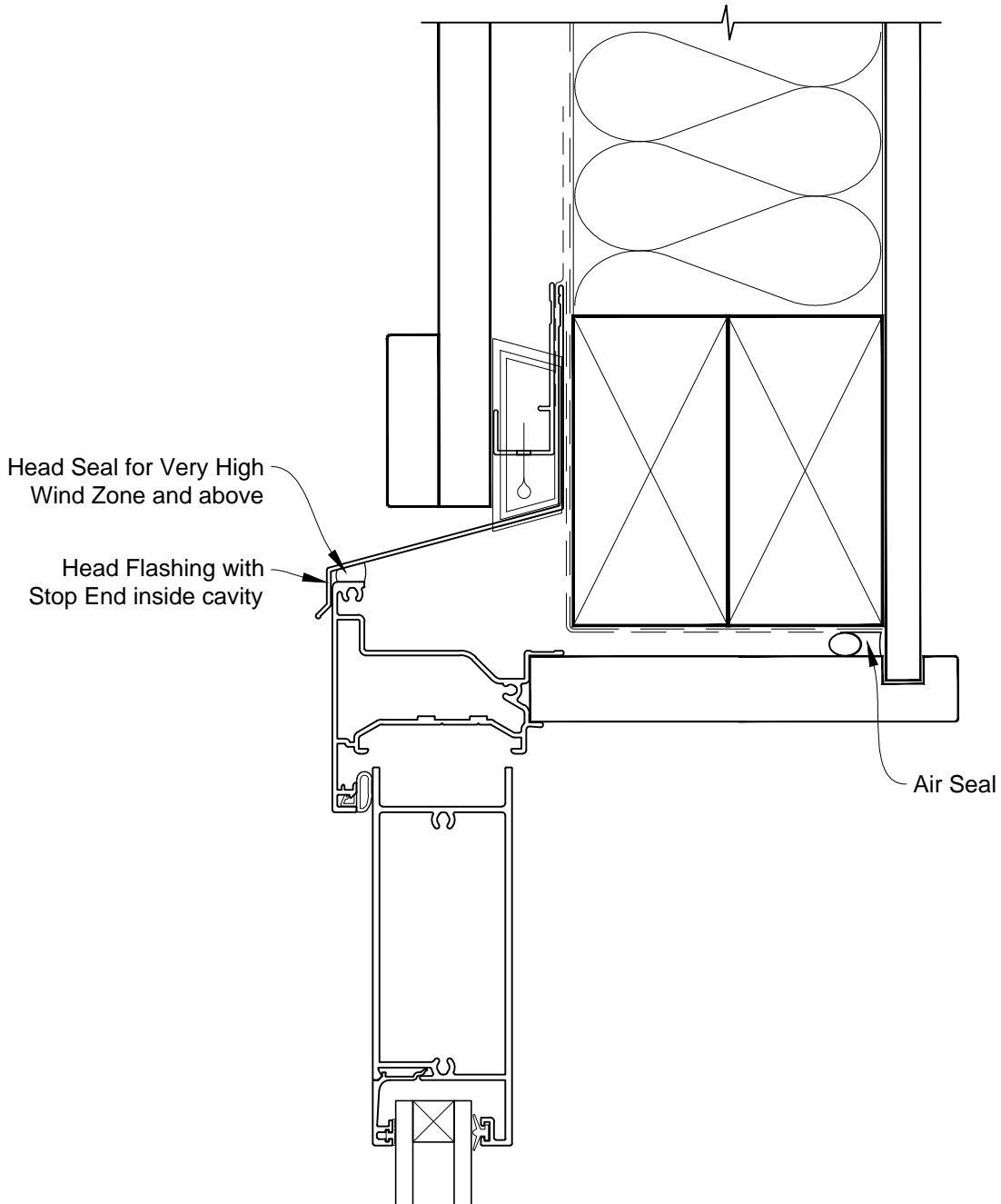


**INSTALLATION DETAIL - METRO SERIES  
HINGED DOOR OPEN IN ON BOARD & BATTEN  
CAVITY CONSTRUCTION**

Date: 01.03.14

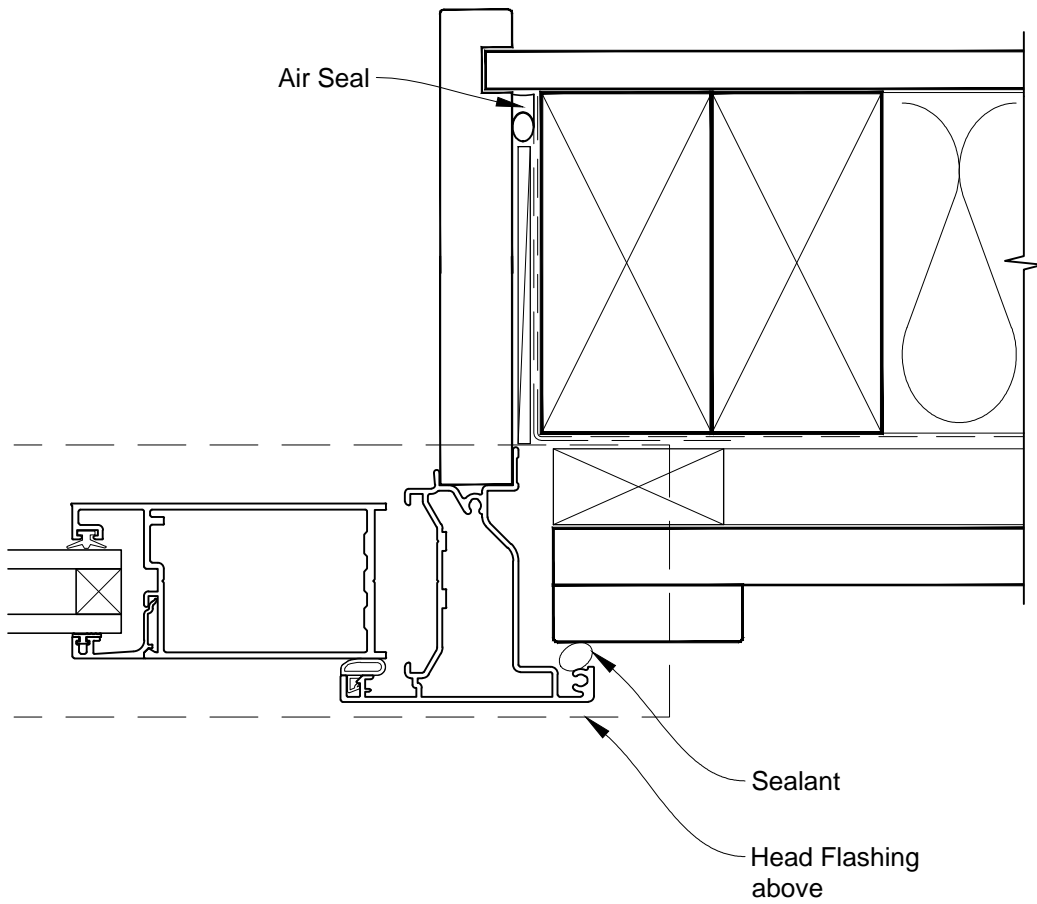
Scale: 1:2

CAD Ref.: MSHIBB-CH



**INSTALLATION DETAIL - METRO SERIES  
HINGED DOOR OPEN IN ON BOARD & BATTEN  
CAVITY CONSTRUCTION**

Date: 01.03.14      Scale: 1:2      CAD Ref.: MSHIBB-CJ

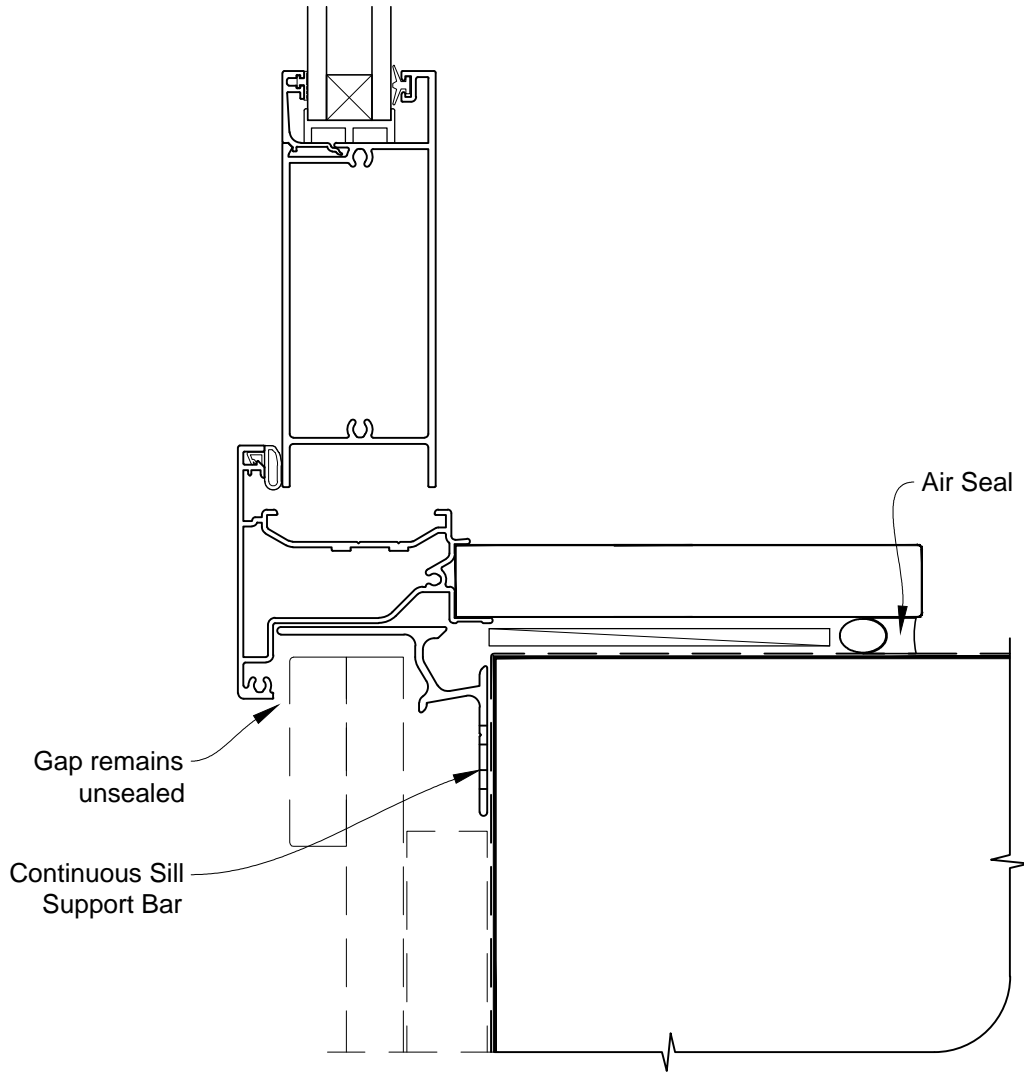


**INSTALLATION DETAIL - METRO SERIES  
HINGED DOOR OPEN IN ON BOARD & BATTEN  
CAVITY CONSTRUCTION**

Date: 01.03.14

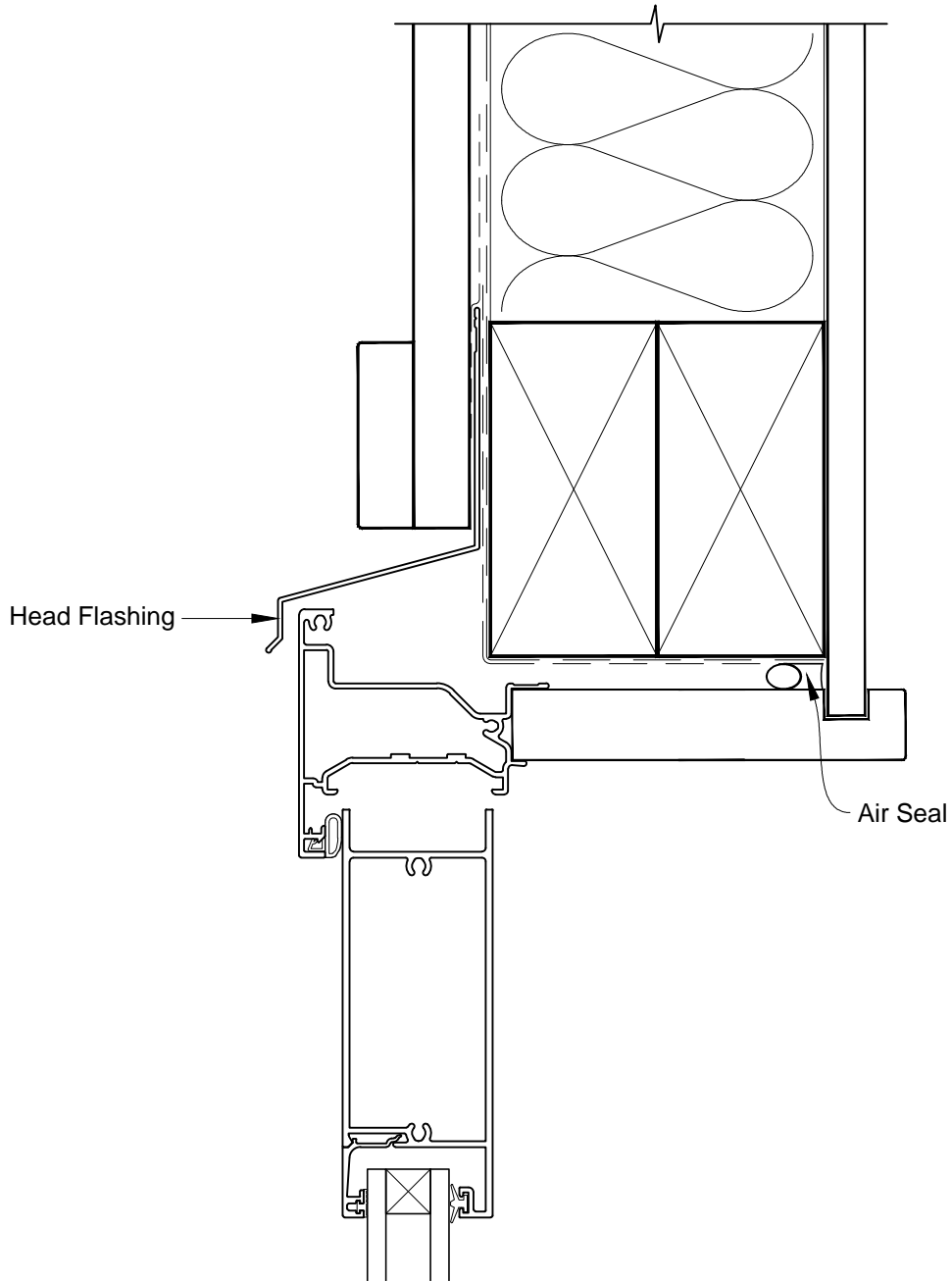
Scale: 1:2

CAD Ref.: MSHIBB-CS



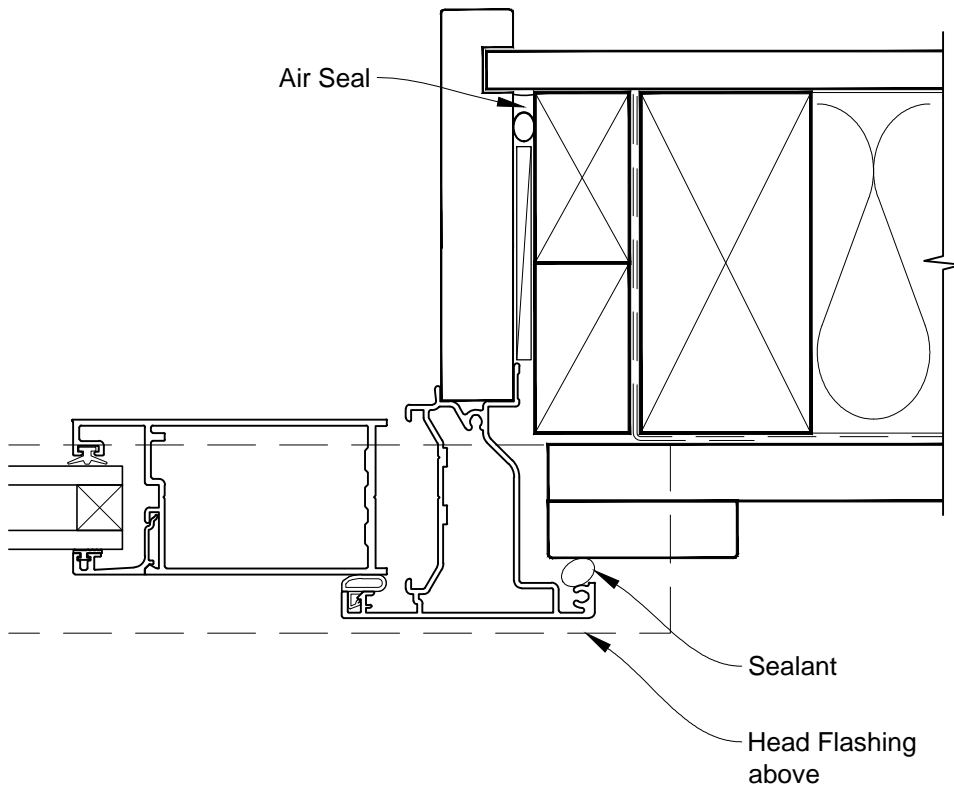
**INSTALLATION DETAIL - METRO SERIES  
HINGED DOOR OPEN IN ON BOARD & BATTEN  
DIRECT FIXED CLADDING**

Date: 01.03.14      Scale: 1:2      CAD Ref.: MSHIBB-DH



**INSTALLATION DETAIL - METRO SERIES  
HINGED DOOR OPEN IN ON BOARD & BATTEN  
DIRECT FIXED CLADDING**

Date: 01.03.14      Scale: 1:2      CAD Ref.: MSHIBB-DJ



**INSTALLATION DETAIL - METRO SERIES  
HINGED DOOR OPEN IN ON BOARD & BATTEN  
DIRECT FIXED CLADDING**

Date: 01.03.14      Scale: 1:2      CAD Ref.: MSHIBB-DS

