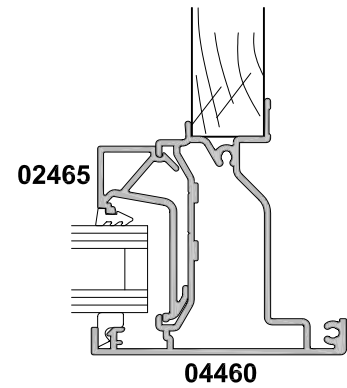
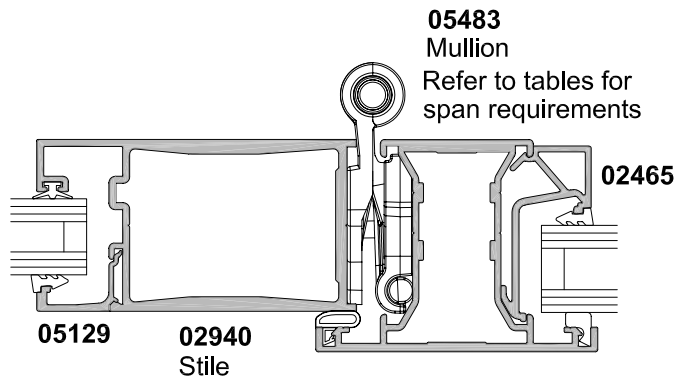
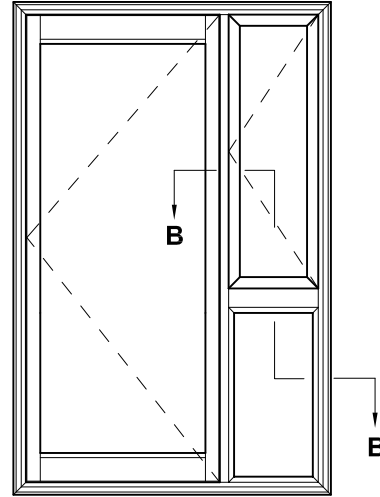
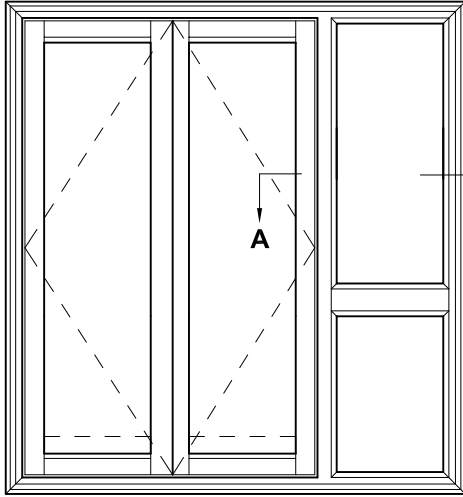


METRO SERIES
F520MS OPEN IN & F500MS OPEN OUT
MULLION SIDELIGHT

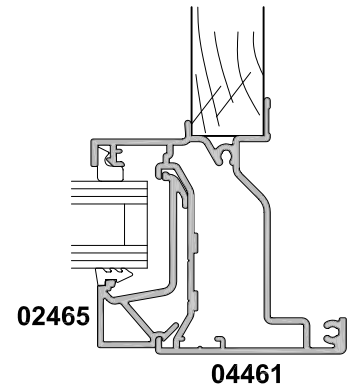
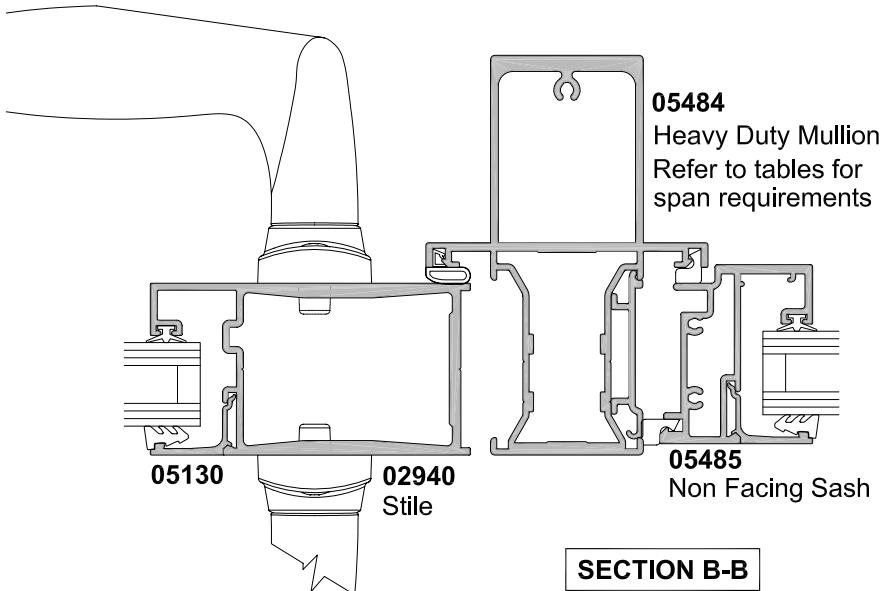
CROSS SECTION

Date 01.11.09 Scale 1:2



SECTION A-A

OPEN IN DOOR



SECTION B-B

OPEN OUT DOOR