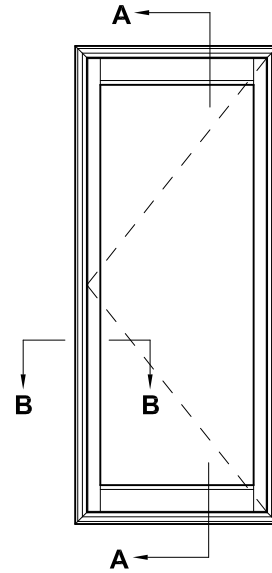
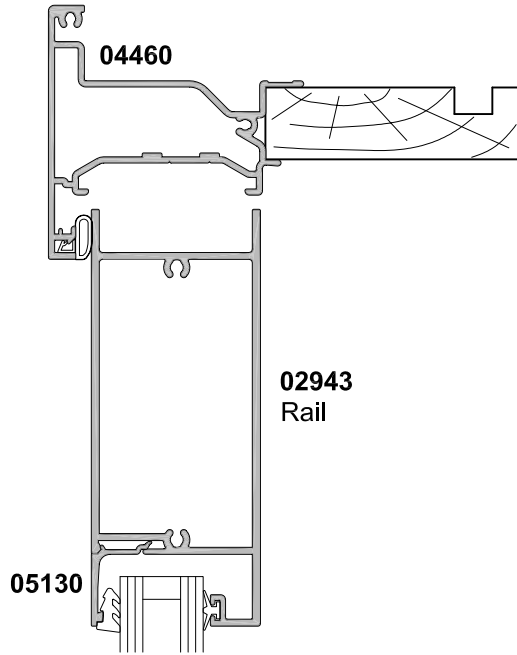
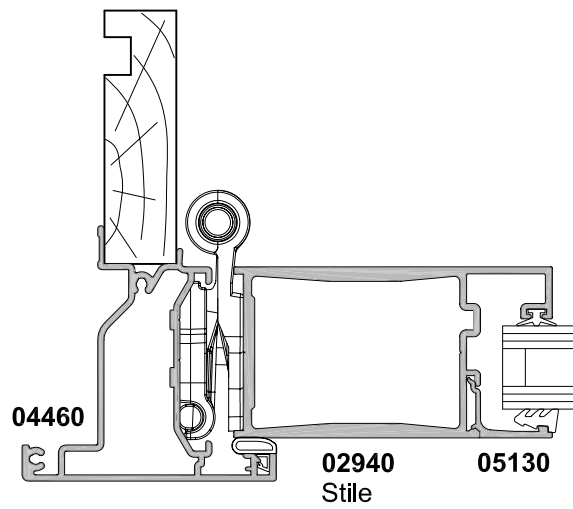
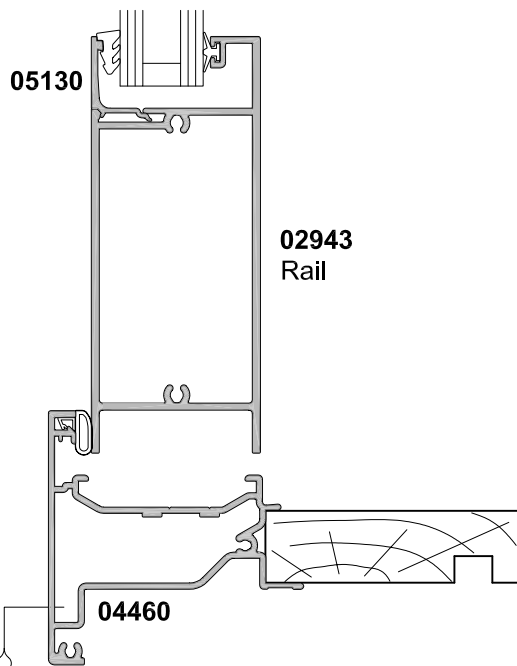


METRO SERIES
F520MS HINGED DOOR, OPEN IN
CROSS SECTION

Date 01.11.09 Scale 1:2



SECTION A-A



SECTION B-B