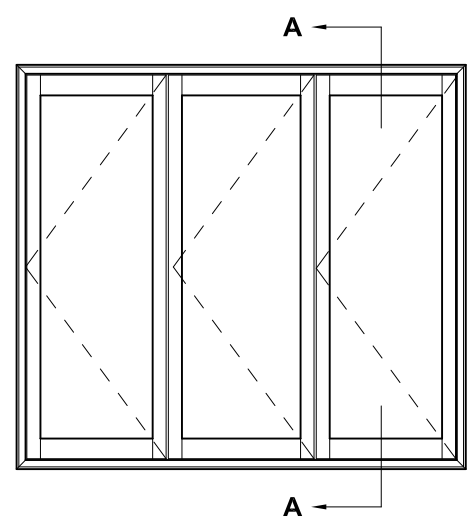
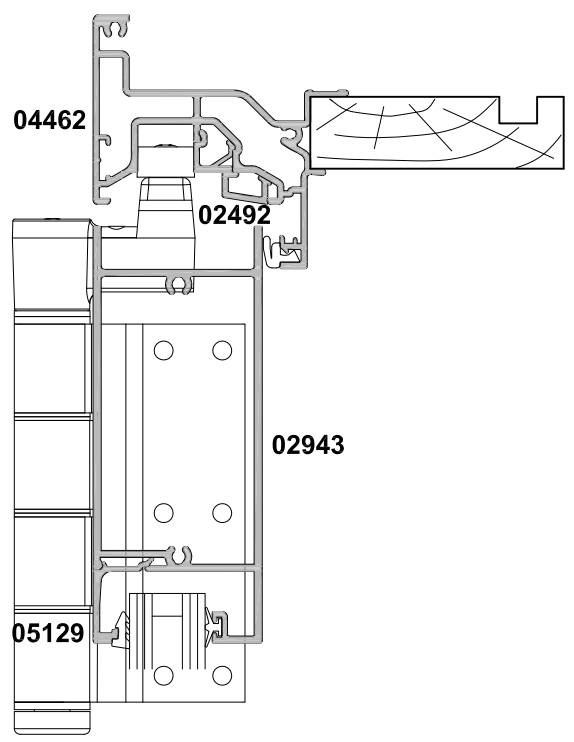


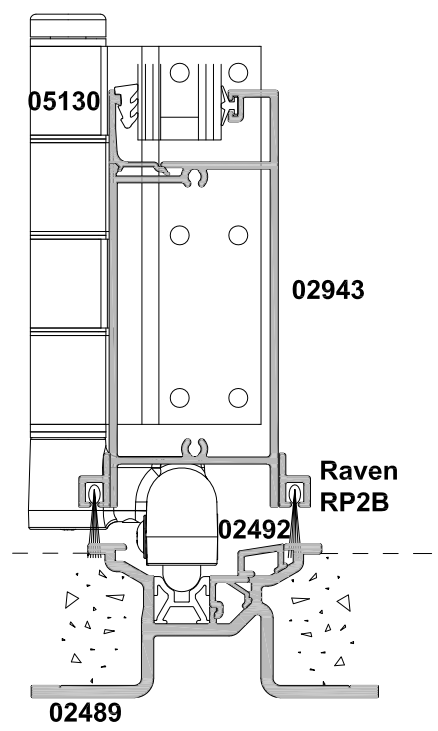
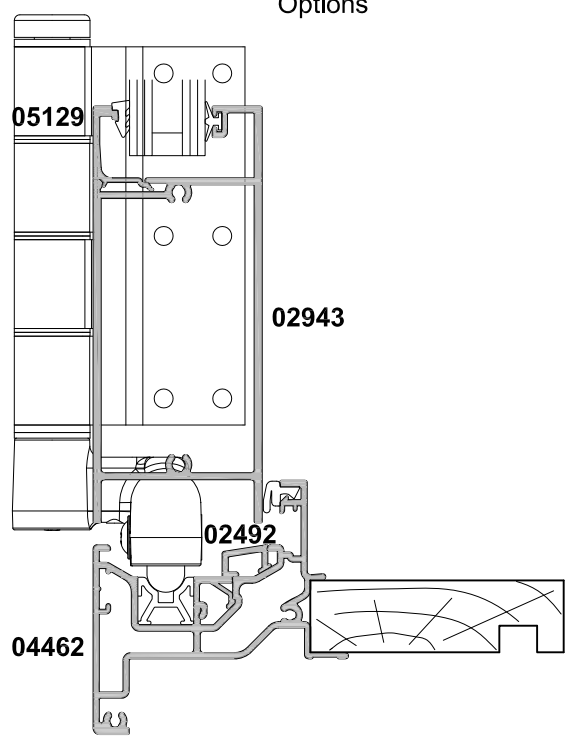
METRO SERIES
BI-FOLD DOOR, OPEN OUT
CROSS SECTION

Date 01.03.17 Scale 1:2



SECTION A-A

Refer to Hinge Door
Section for Vision Rail
Options



REBATED SILL TRACK OPTION
(FOR SHELTERED LOCATIONS ONLY)

Note - Pay particular attention
to the drainage of the track.