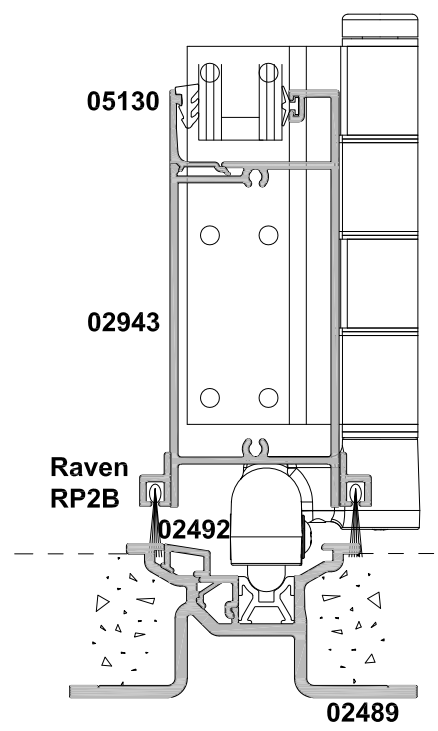
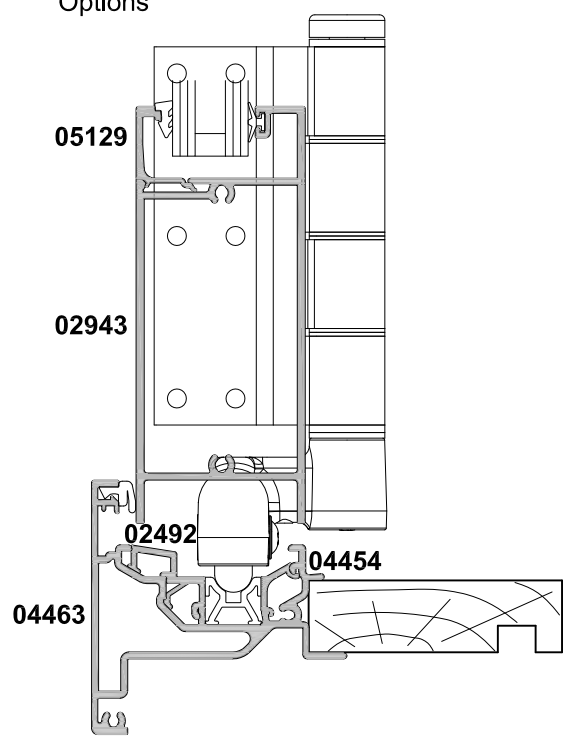


**SECTION A-A**

Refer to Hinge Door Section for Vision Rail Options



**REBATED SILL TRACK OPTION  
(FOR SHELTERED LOCATIONS ONLY)**

Note - Pay particular attention to the drainage of the track.