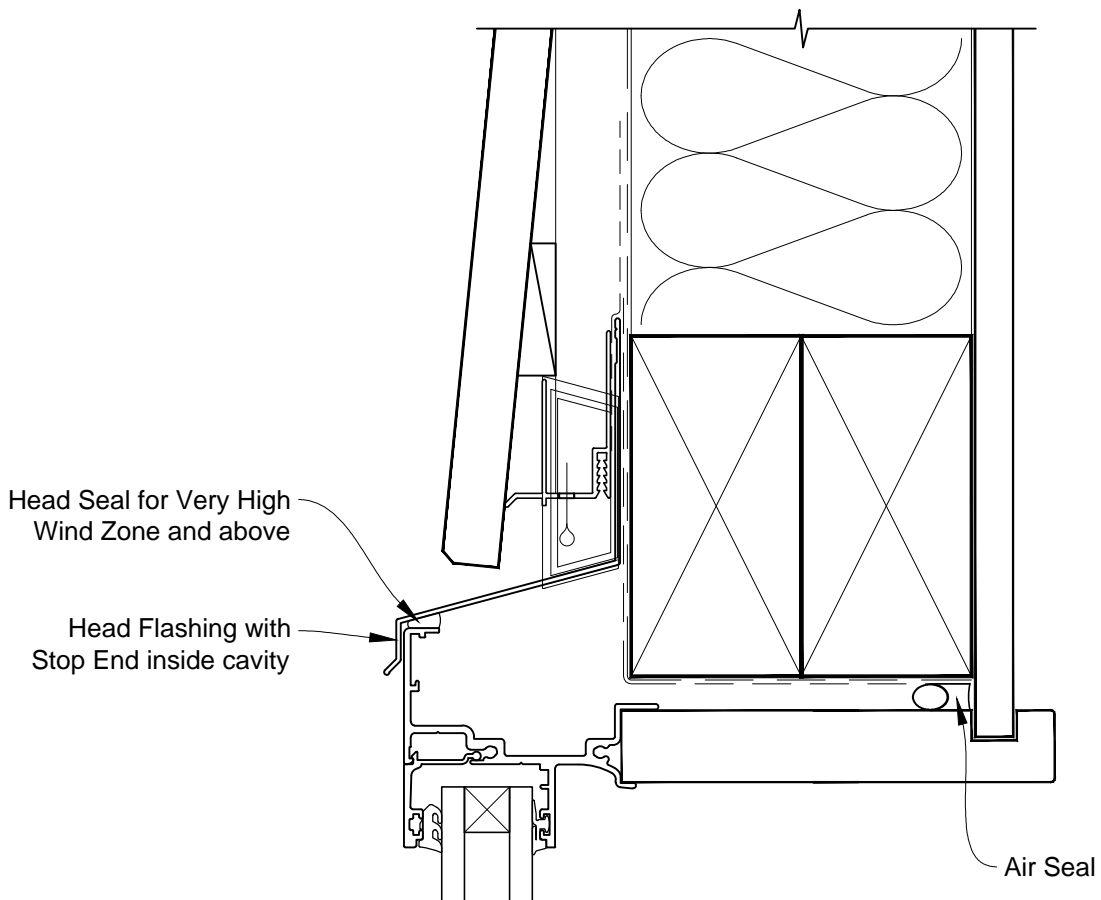


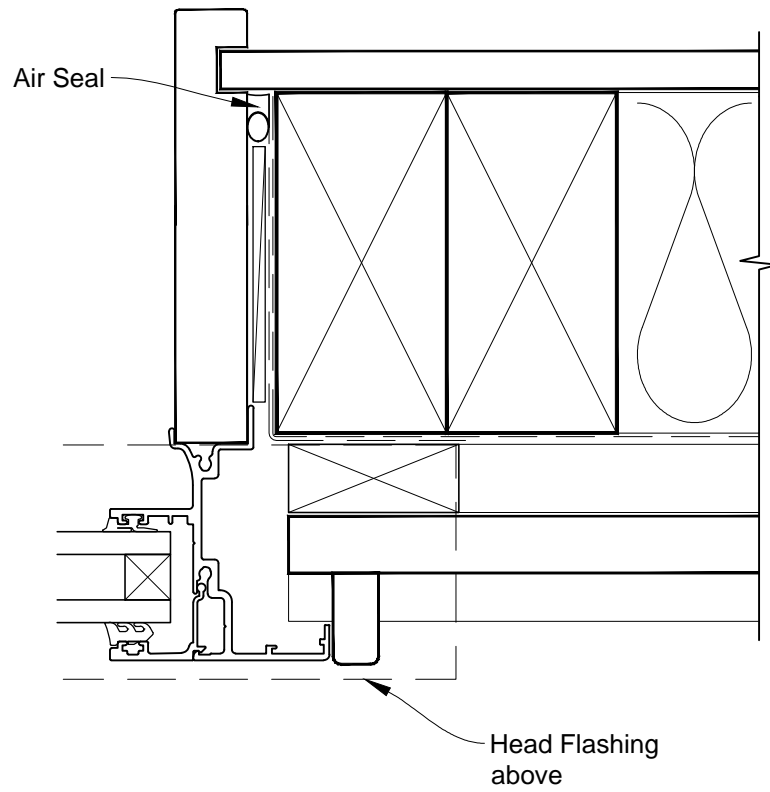
**INSTALLATION DETAIL - METRO SERIES  
AWNING WINDOW ON BEVELBACK WEATHERBOARD  
CAVITY CONSTRUCTION**

Date: 01.03.14      Scale: 1:2      CAD Ref.: MSAWBW-CH



**INSTALLATION DETAIL - METRO SERIES  
AWNING WINDOW ON BEVELBACK WEATHERBOARD  
CAVITY CONSTRUCTION**

Date: 01.03.14      Scale: 1:2      CAD Ref.: MSAWBW-CJ

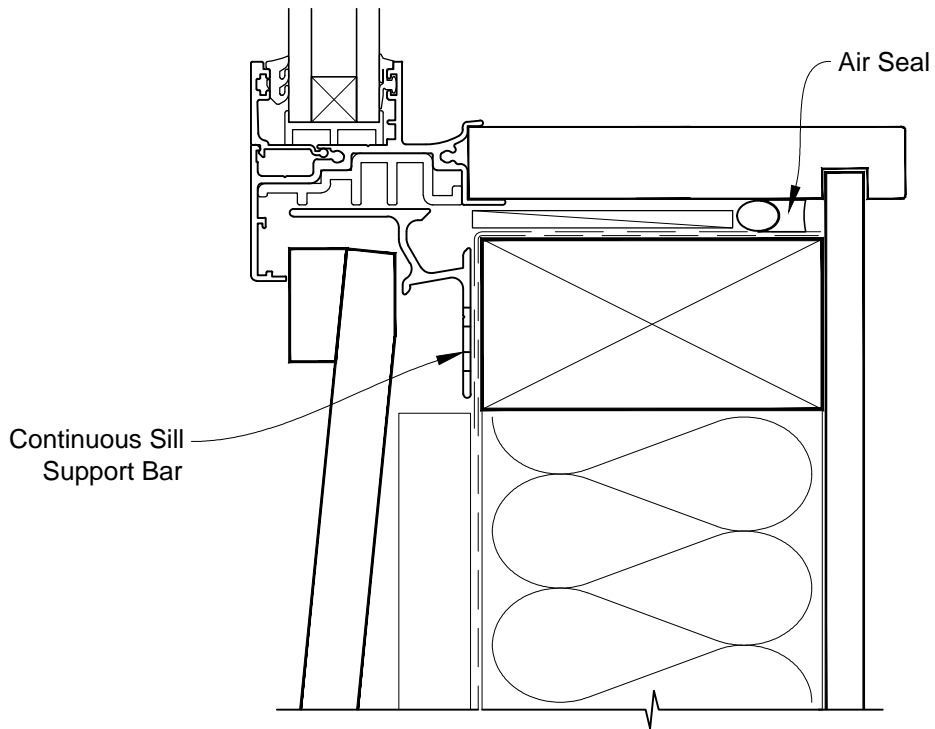


**INSTALLATION DETAIL - METRO SERIES  
AWNING WINDOW ON BEVELBACK WEATHERBOARD  
CAVITY CONSTRUCTION**

Date: 01.03.14

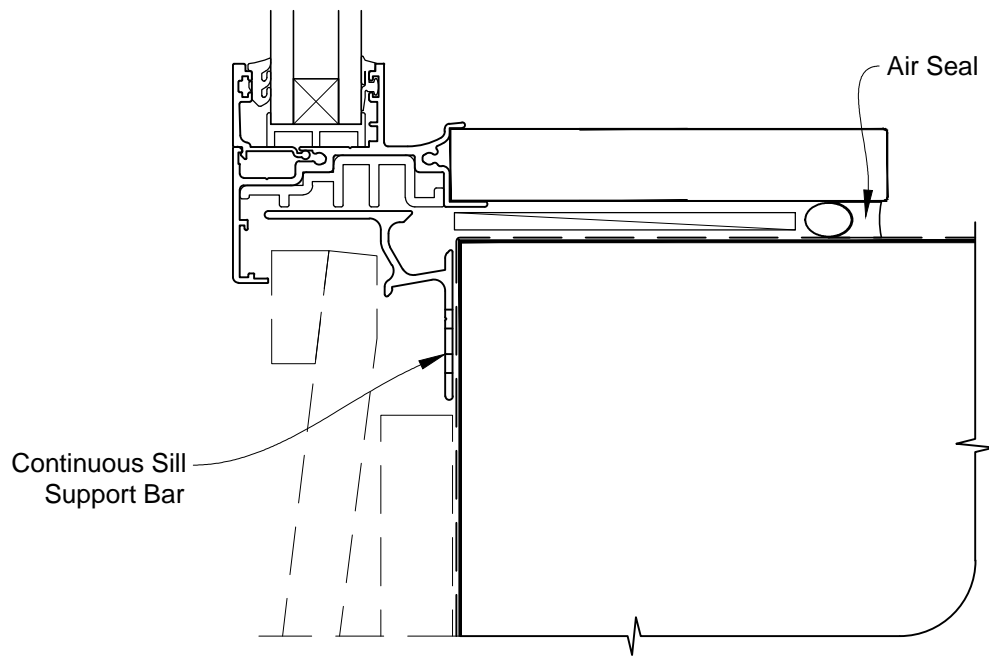
Scale: 1:2

CAD Ref.: MSAWBW-CS



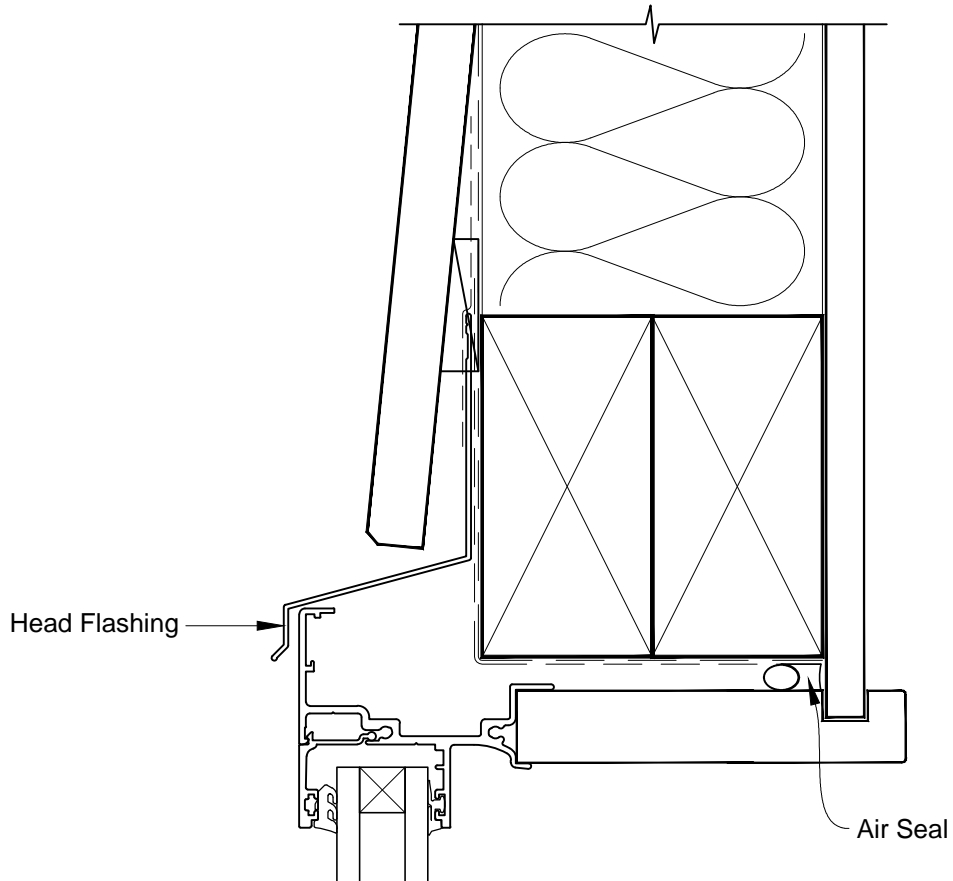
**INSTALLATION DETAIL - METRO SERIES  
AWNING WINDOW ON BEVELBACK WEATHERBOARD  
CAVITY CONSTRUCTION**

Date: 01.03.14      Scale: 1:2      CAD Ref.: MSAWBW-CS2



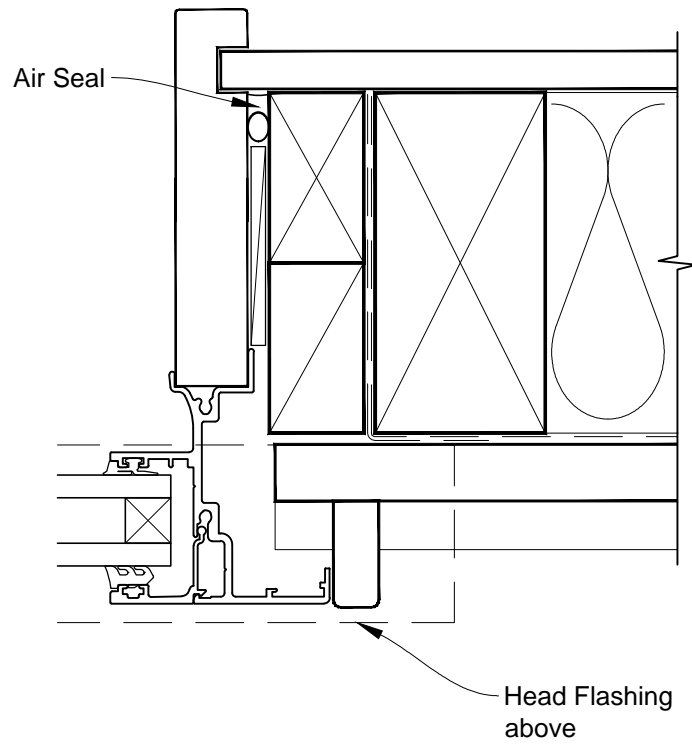
**INSTALLATION DETAIL - METRO SERIES  
AWNING WINDOW ON BEVELBACK WEATHERBOARD  
DIRECT FIXED CLADDING**

Date: 01.03.14      Scale: 1:2      CAD Ref.: MSAWBW-DH



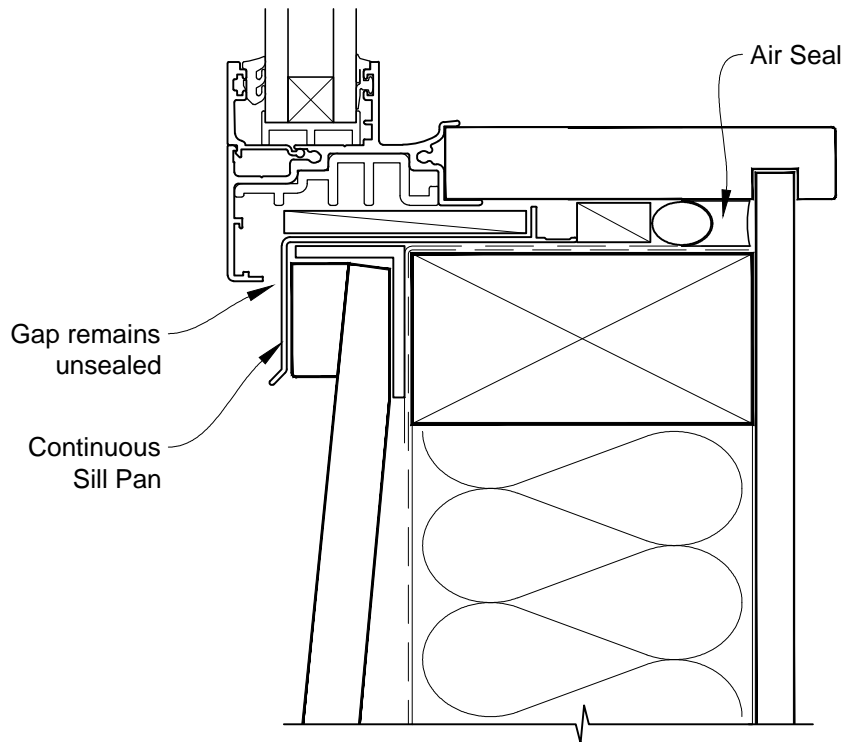
**INSTALLATION DETAIL - METRO SERIES  
AWNING WINDOW ON BEVELBACK WEATHERBOARD  
DIRECT FIXED CLADDING**

Date: 01.03.14      Scale: 1:2      CAD Ref.: MSAWBW-DJ



**INSTALLATION DETAIL - METRO SERIES  
AWNING WINDOW ON BEVELBACK WEATHERBOARD  
DIRECT FIXED CLADDING**

Date: 01.03.14      Scale: 1:2      CAD Ref.: MSAWBW-DS



**INSTALLATION DETAIL - METRO SERIES  
AWNING WINDOW ON BEVELBACK WEATHERBOARD  
DIRECT FIXED CLADDING**

Date: 01.03.14      Scale: 1:2      CAD Ref.: MSAWBW-DS2

