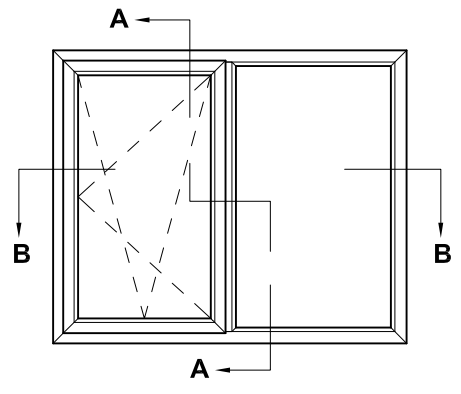
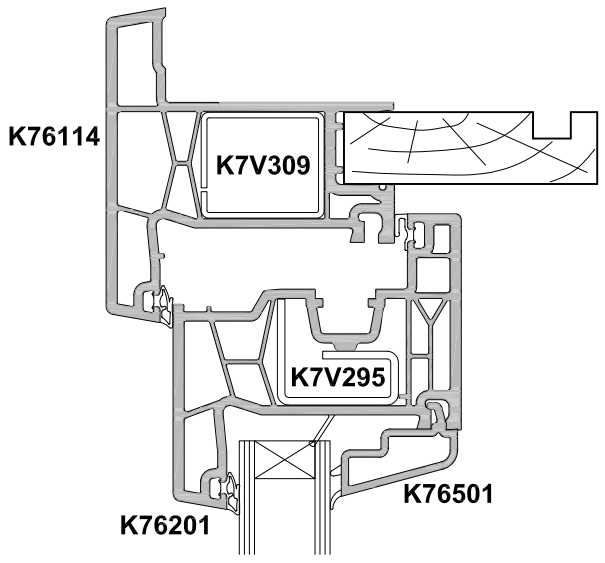
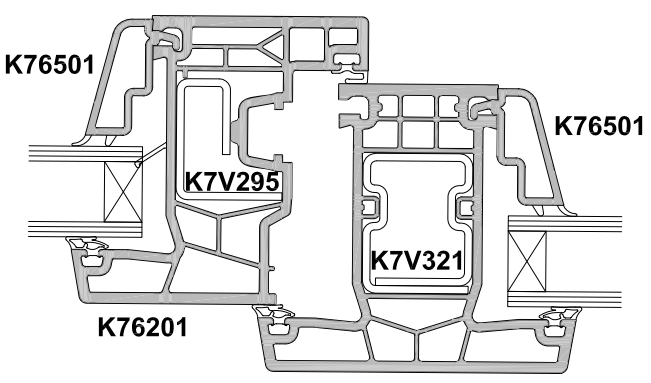
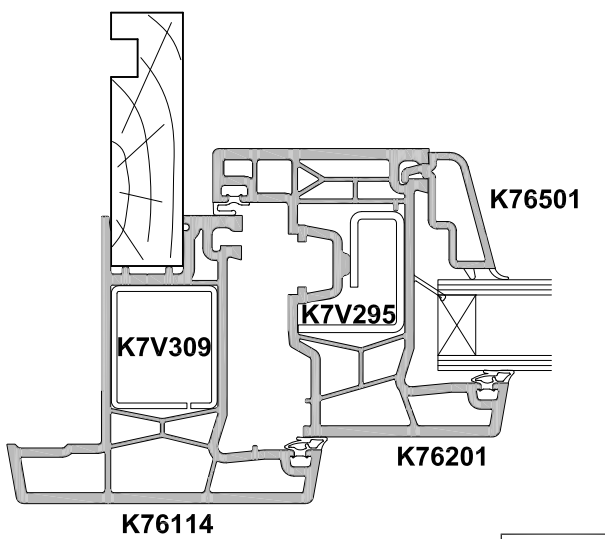
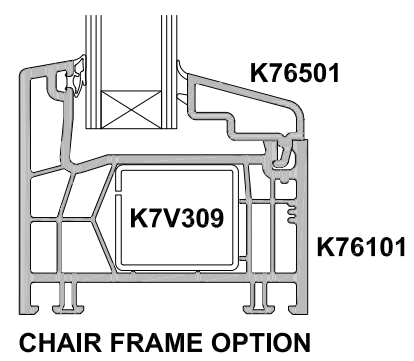
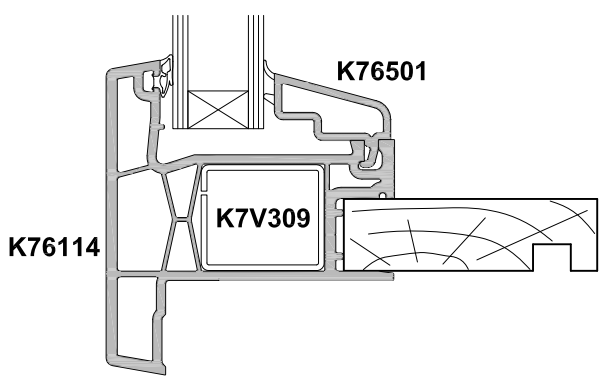


**CROSS SECTION**

Date 01.01.17 Scale 1:2



**SECTION A-A**



**SECTION B-B**

**K76301 Mullion**  
Refer to tables for span requirements