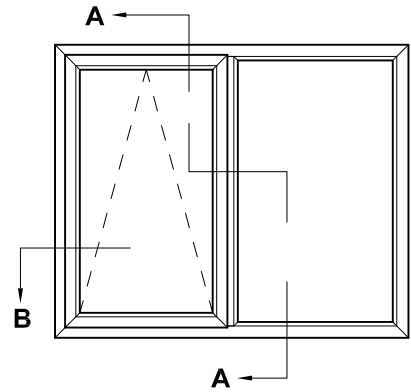
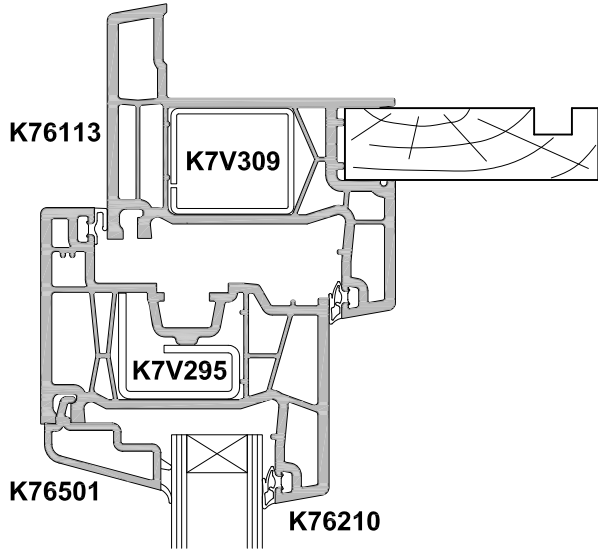
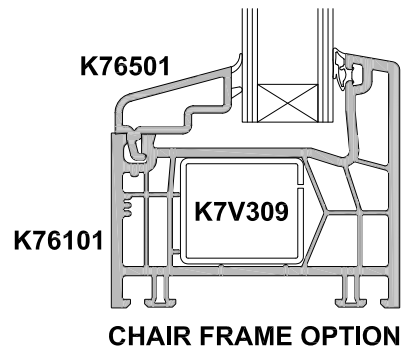
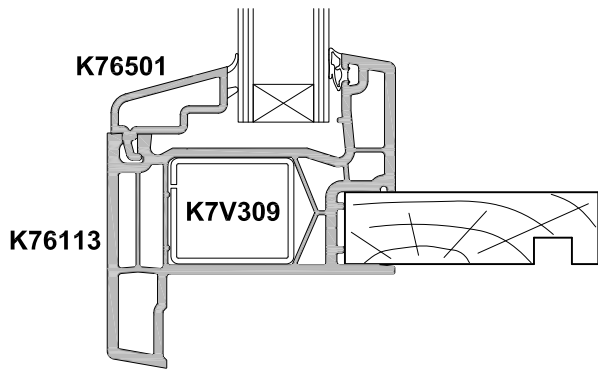


KLIMA SERIES
AWNING WINDOW, SASH OPEN OUT
CROSS SECTION

Date 01.01.17 Scale 1:2



SECTION A-A



K76301 Mullion
Refer to tables for span requirements

SECTION B-B

