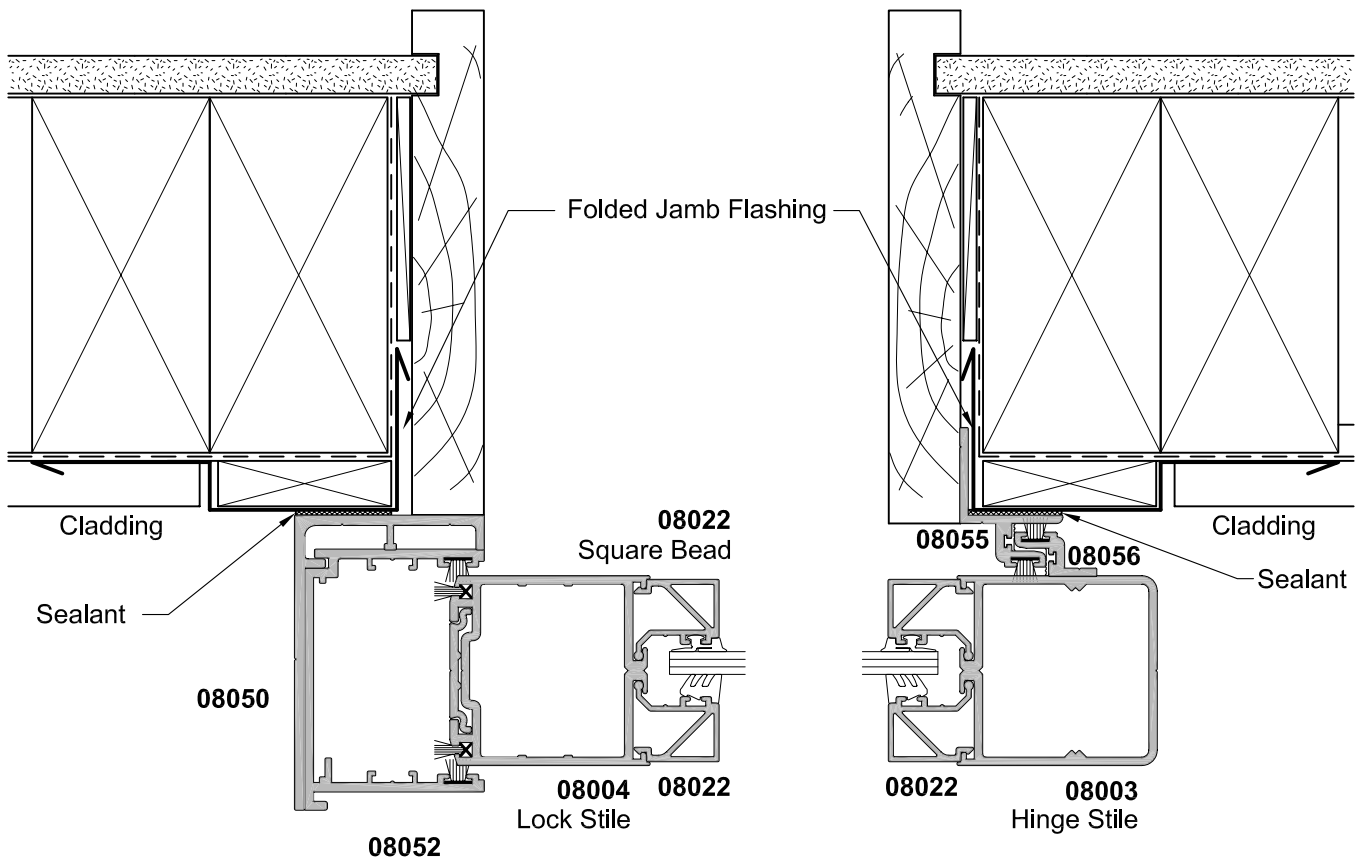


SECTION B-B



NOTE: This detail is typical only and may differ for various claddings and building in situations.
Contact Technical Advisory Service for more information