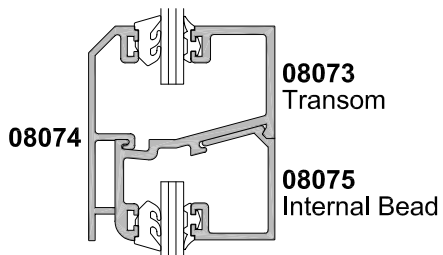
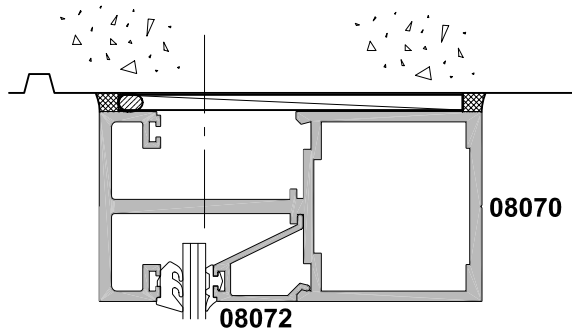


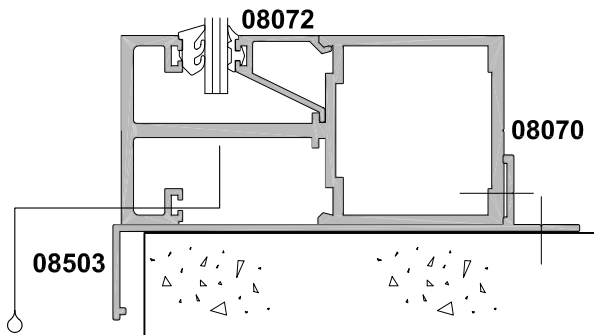
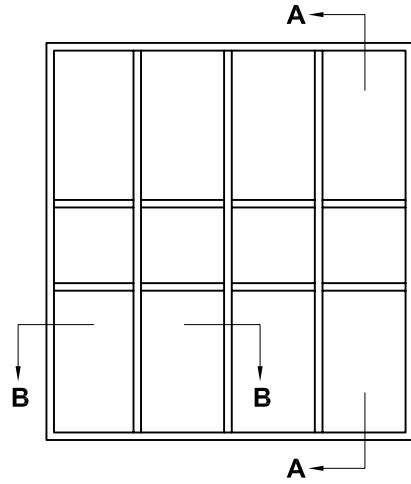
F100CW CURTAIN WALL

CROSS SECTION

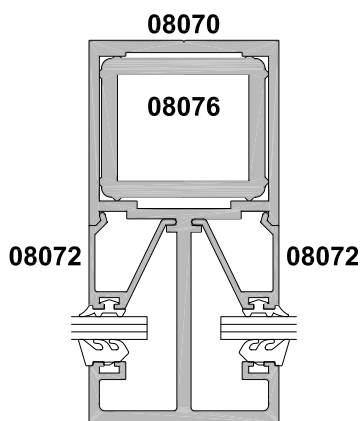
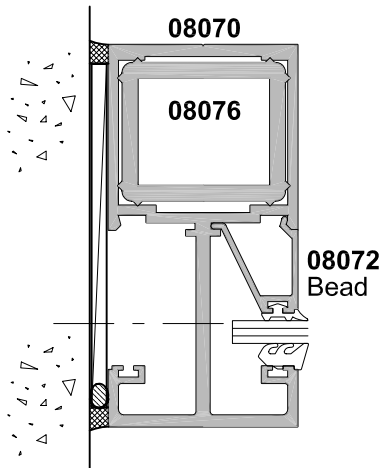
Date 01.11.09 Scale 1:2



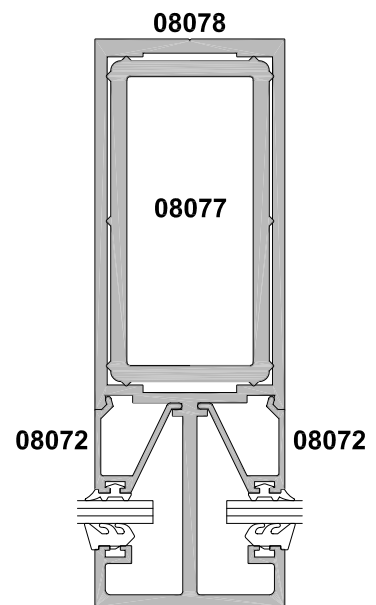
SECTION A-A



SECTION B-B



**100MM MULLION
OPTION**



**150MM MULLION
OPTION**