

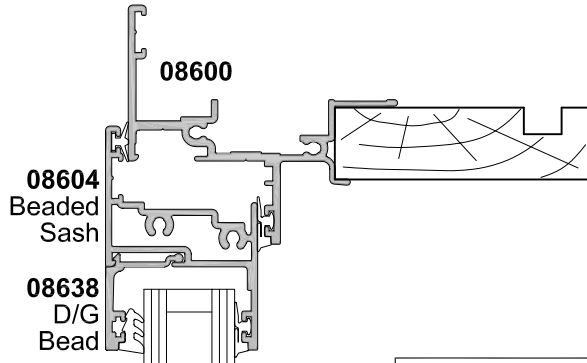


Cad Ref. FC4002-0

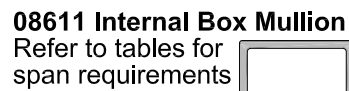
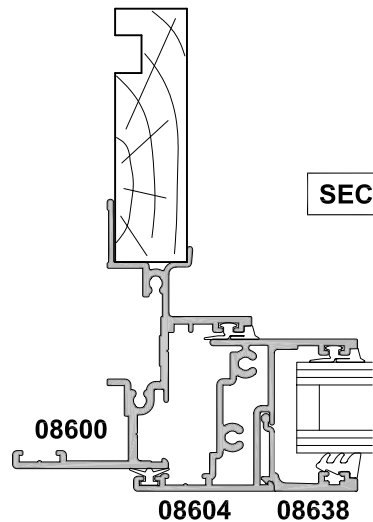
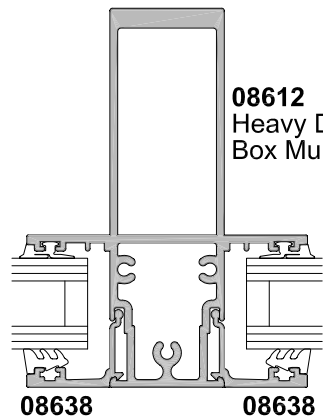
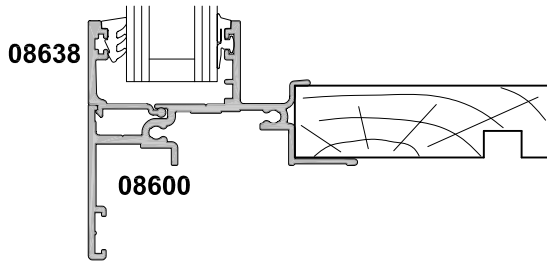
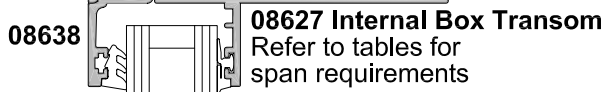
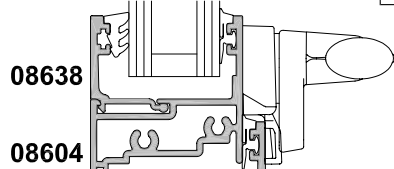
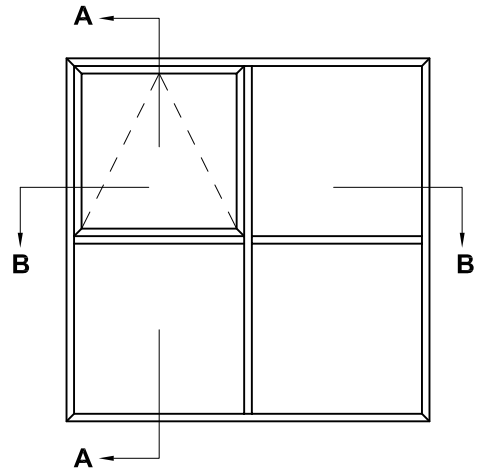
**40MM WINDOW SERIES**  
**F100FS FACING FRAME**  
**AWNING WINDOW, DOUBLE GLAZED**

**CROSS SECTION**

Date 01.11.09 Scale 1:2



**SECTION A-A**



**SECTION B-B**

