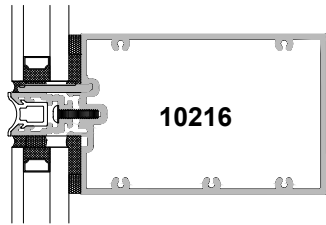
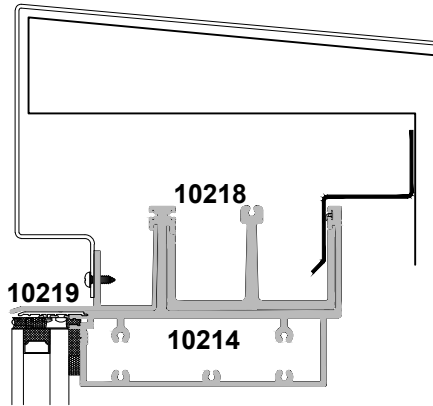


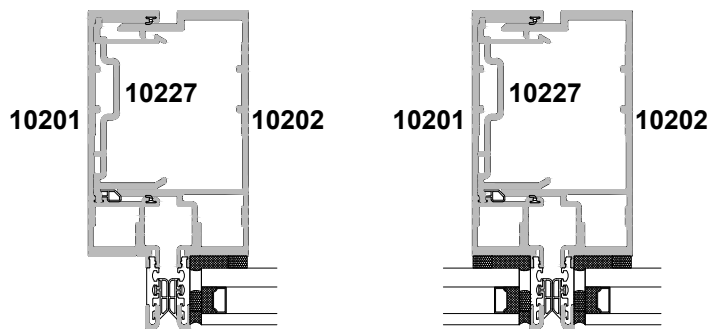
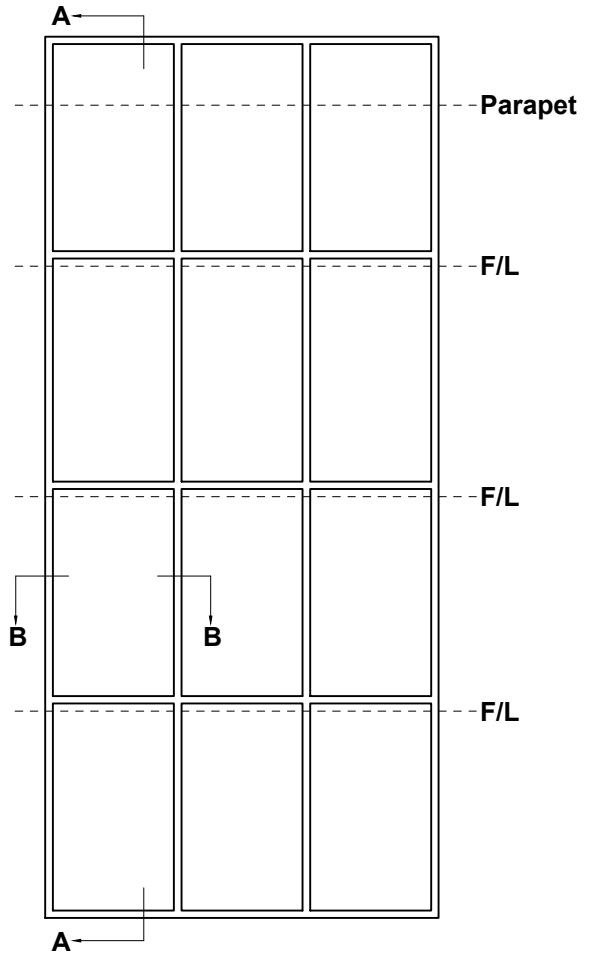
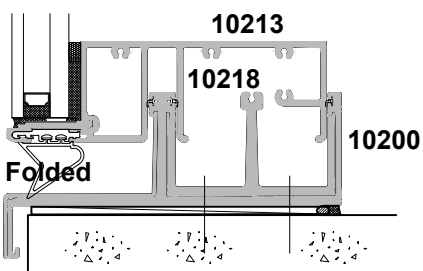
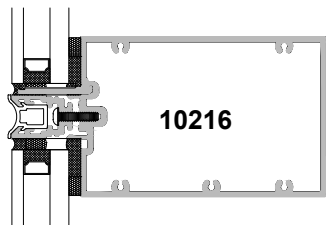
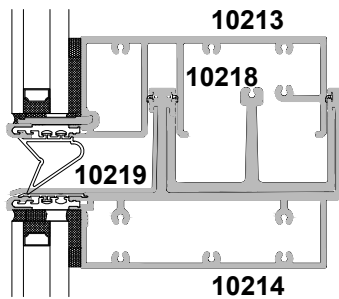
**168MM STRUCTURAL GLAZE THERMAL CURTAIN WALL
THERMALLY BROKEN**

CROSS SECTION

Date 01.04.17 Scale 1:4



SECTION A-A



SECTION B-B