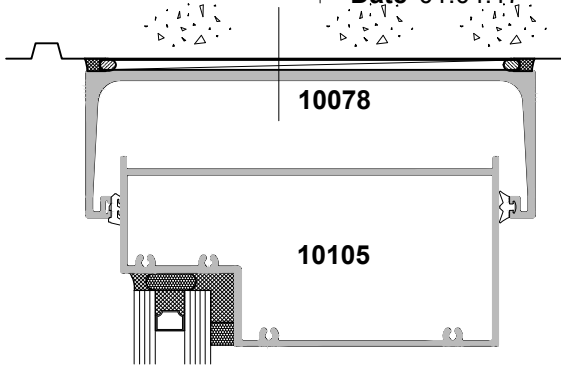
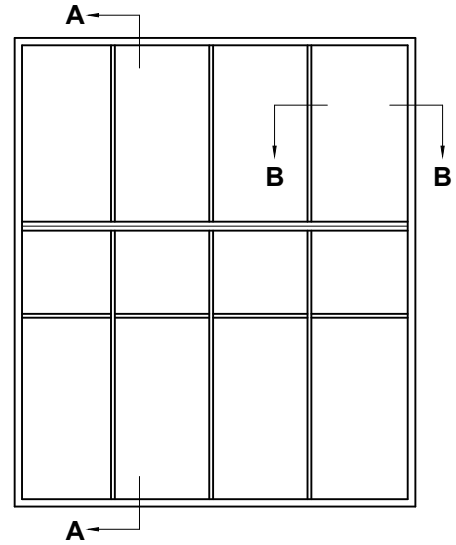
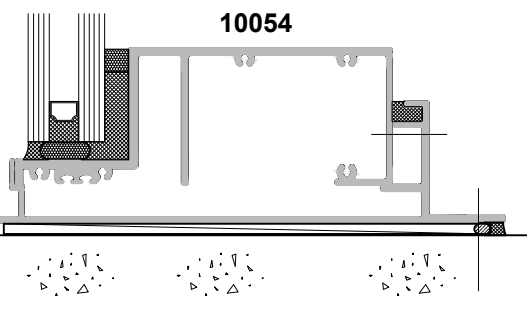
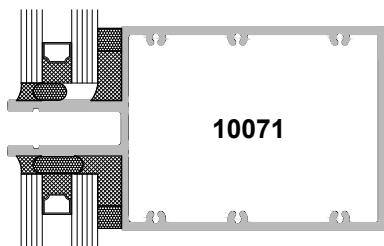
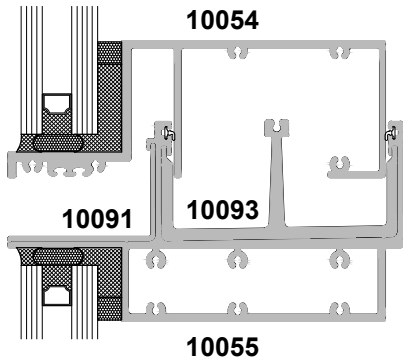
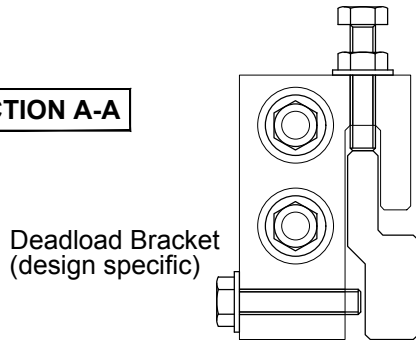


**150MM STRUCTURAL GLAZED SYSTEM
DOUBLE GLAZED, SEISMIC SYSTEM**

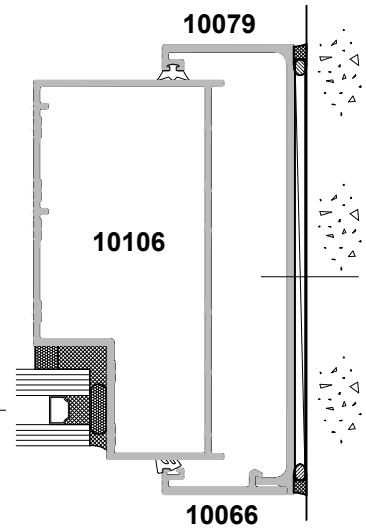
Date 01.04.17 Scale 1:2



SECTION A-A



SECTION B-B



Deadload Bracket
(design specific)

