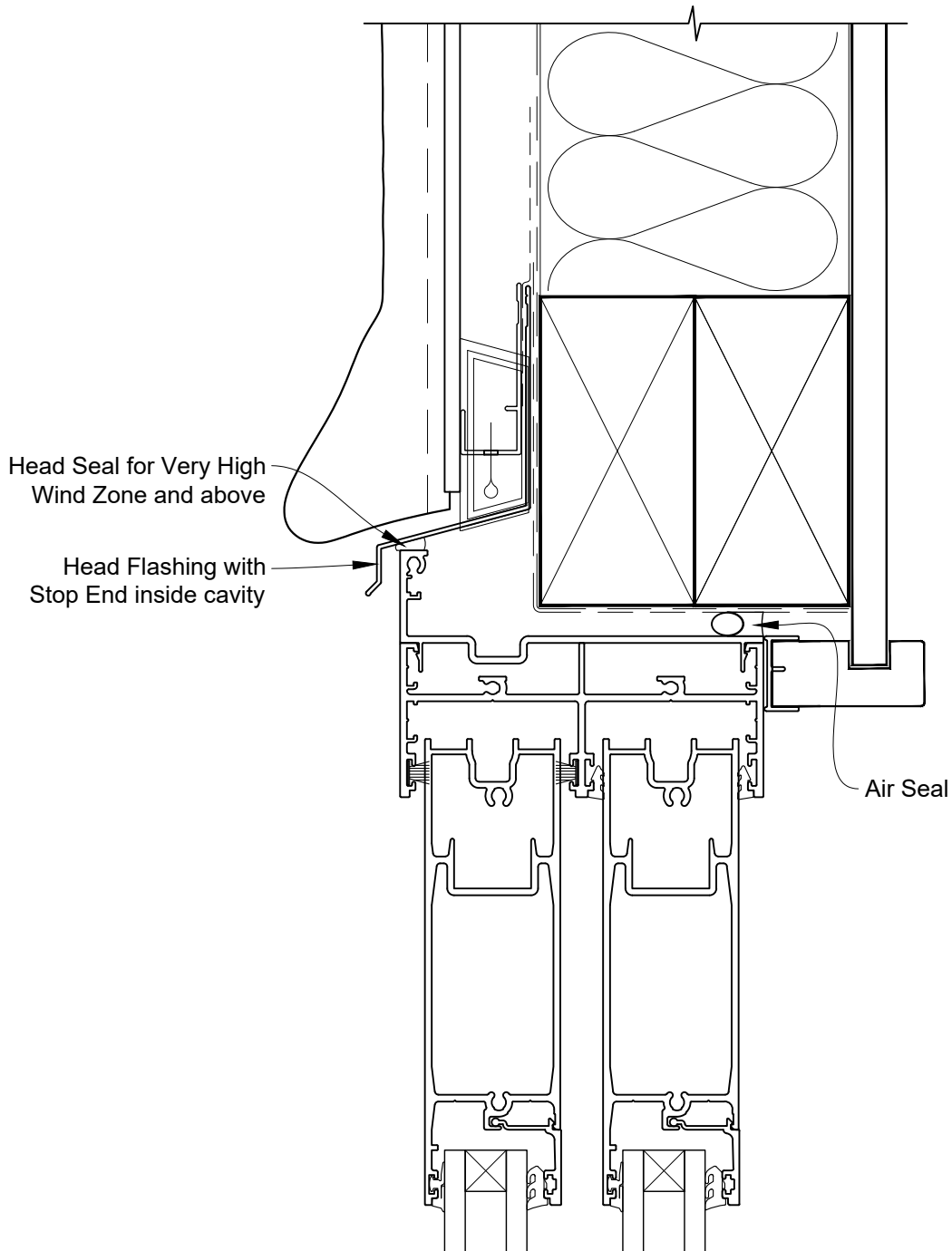


INSTALLATION DETAIL - ARCHITECTURAL SERIES SLIDING DOOR TWO TRACK ON STUCCO CAVITY CONSTRUCTION

Date: 27.09.19 Scale: 1:2 CAD Ref.: ASS2ST-CH

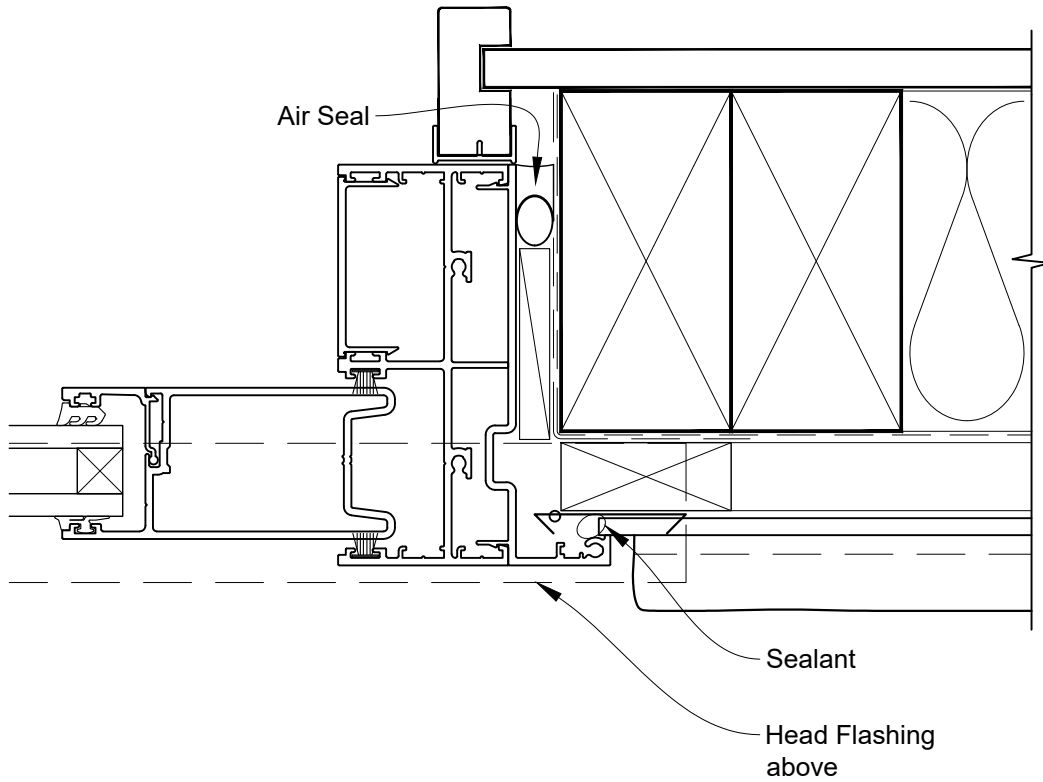


INSTALLATION DETAIL - ARCHITECTURAL SERIES SLIDING DOOR TWO TRACK ON STUCCO CAVITY CONSTRUCTION

Date: 27.09.19

Scale: 1:2

CAD Ref.: ASS2ST-CJ



INSTALLATION DETAIL - ARCHITECTURAL SERIES SLIDING DOOR TWO TRACK ON STUCCO CAVITY CONSTRUCTION

Date: 27.09.19

Scale: 1:2

CAD Ref.: ASS2ST-CS

