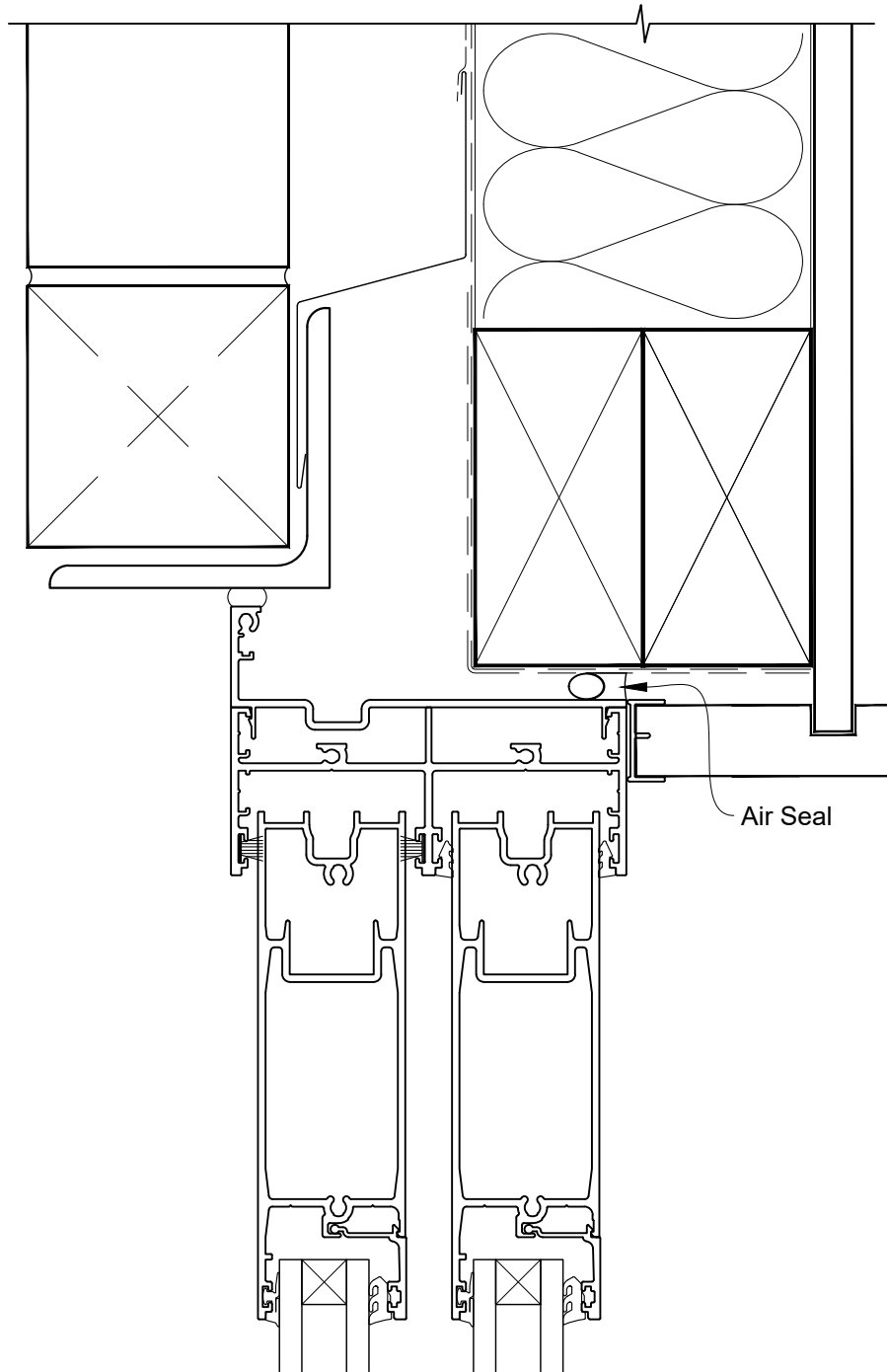


INSTALLATION DETAIL - ARCHITECTURAL SERIES SLIDING DOOR TWO TRACK ON BRICK VENEER CAVITY CONSTRUCTION

Date: 27.09.19

Scale: 1:2

CAD Ref.: ASS2BV-CH

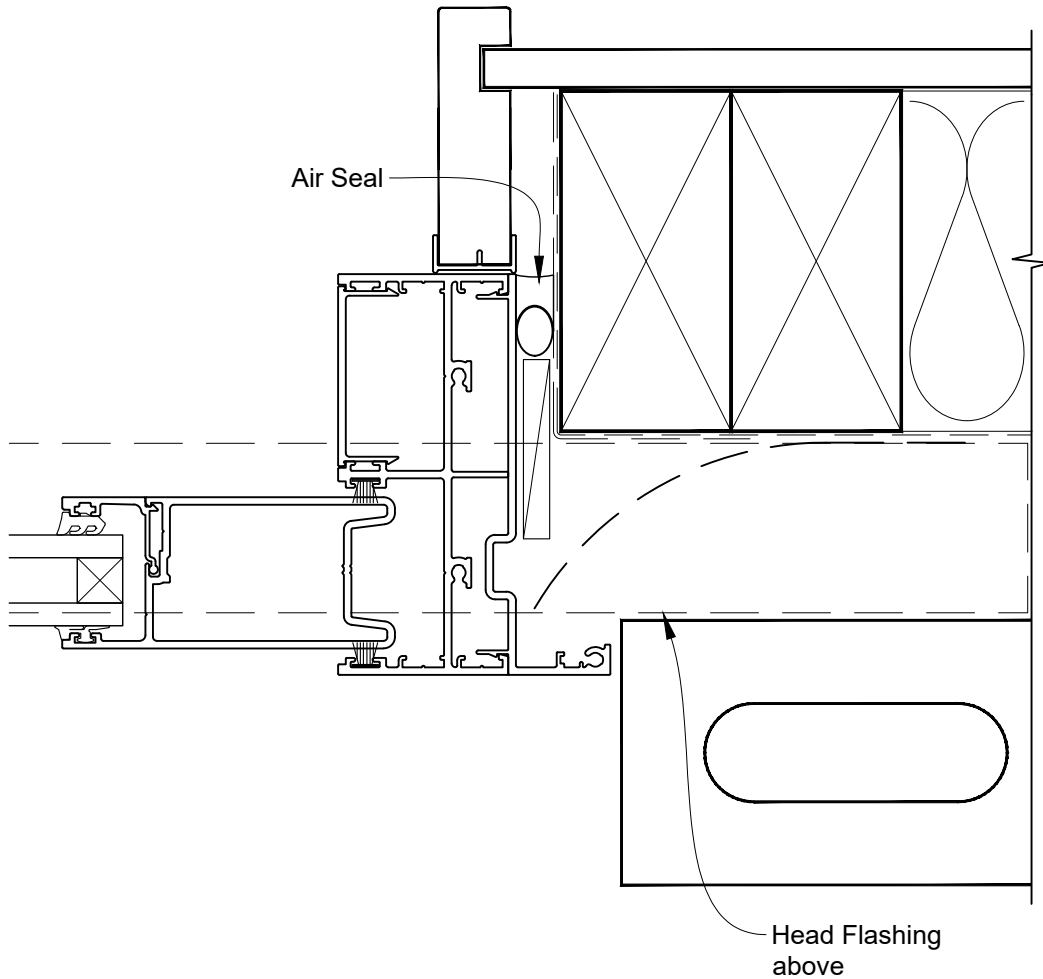


INSTALLATION DETAIL - ARCHITECTURAL SERIES SLIDING DOOR TWO TRACK ON BRICK VENEER CAVITY CONSTRUCTION

Date: 27.09.19

Scale: 1:2

CAD Ref.: ASS2BV-CJ



INSTALLATION DETAIL - ARCHITECTURAL SERIES SLIDING DOOR TWO TRACK ON BRICK VENEER CAVITY CONSTRUCTION

Date: 27.09.19

Scale: 1:2

CAD Ref.: ASS2BV-CS

