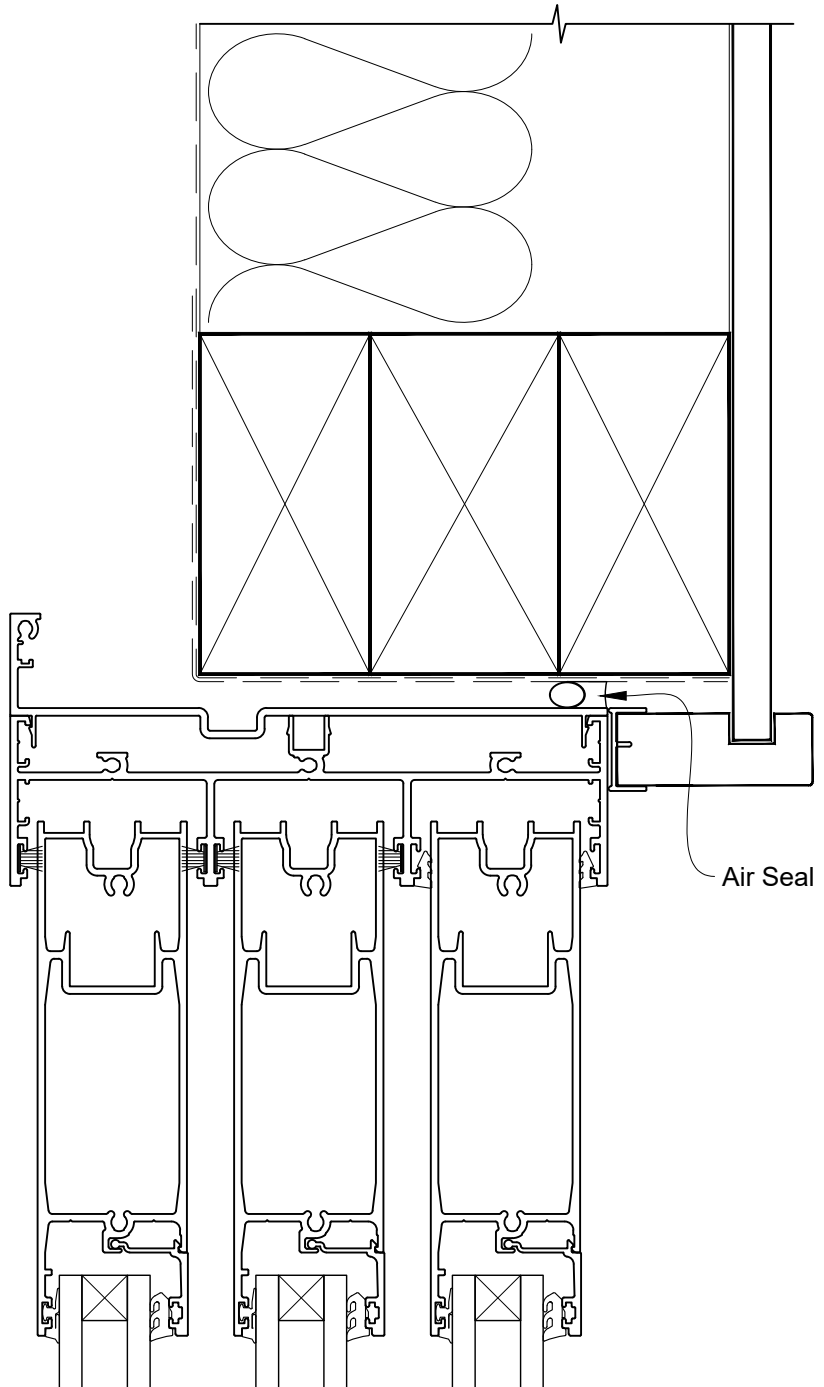


# INSTALLATION DETAIL - ARCHITECTURAL SERIES SLIDING DOOR THREE TRACK ON NO CLADDING CAVITY CONSTRUCTION

Date: 27.09.19

Scale: 1:2

CAD Ref.: ASS3NC-CH

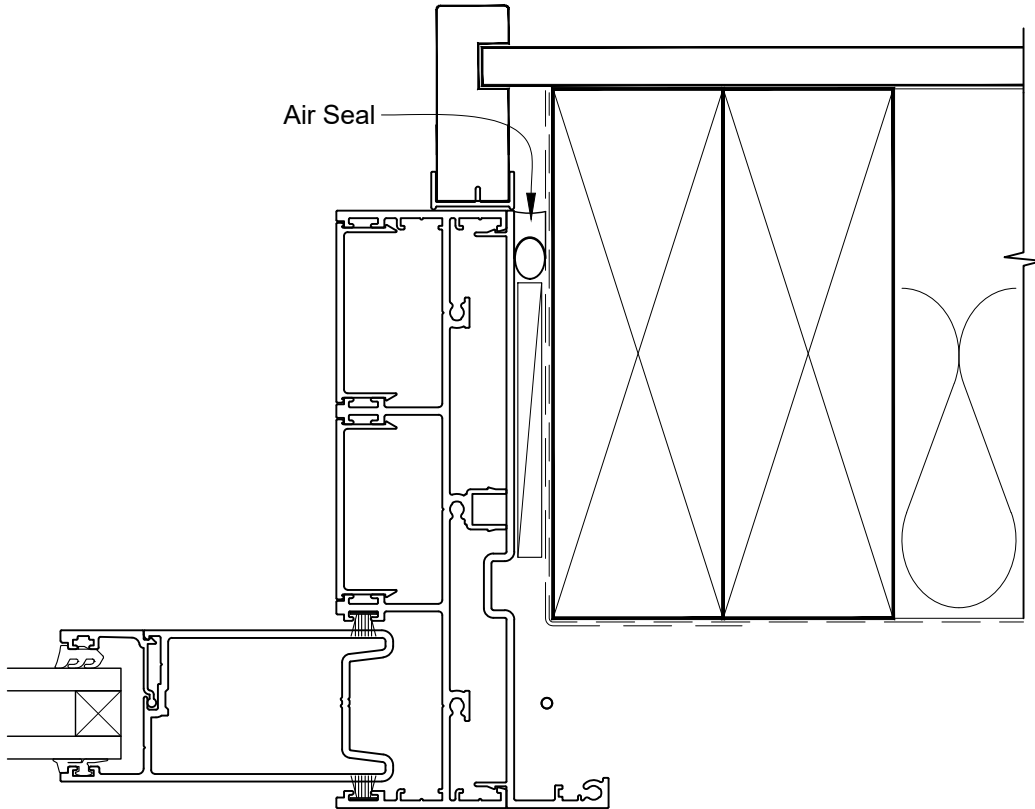


# INSTALLATION DETAIL - ARCHITECTURAL SERIES SLIDING DOOR THREE TRACK ON NO CLADDING CAVITY CONSTRUCTION

Date: 27.09.19

Scale: 1:2

CAD Ref.: ASS3NC-CJ

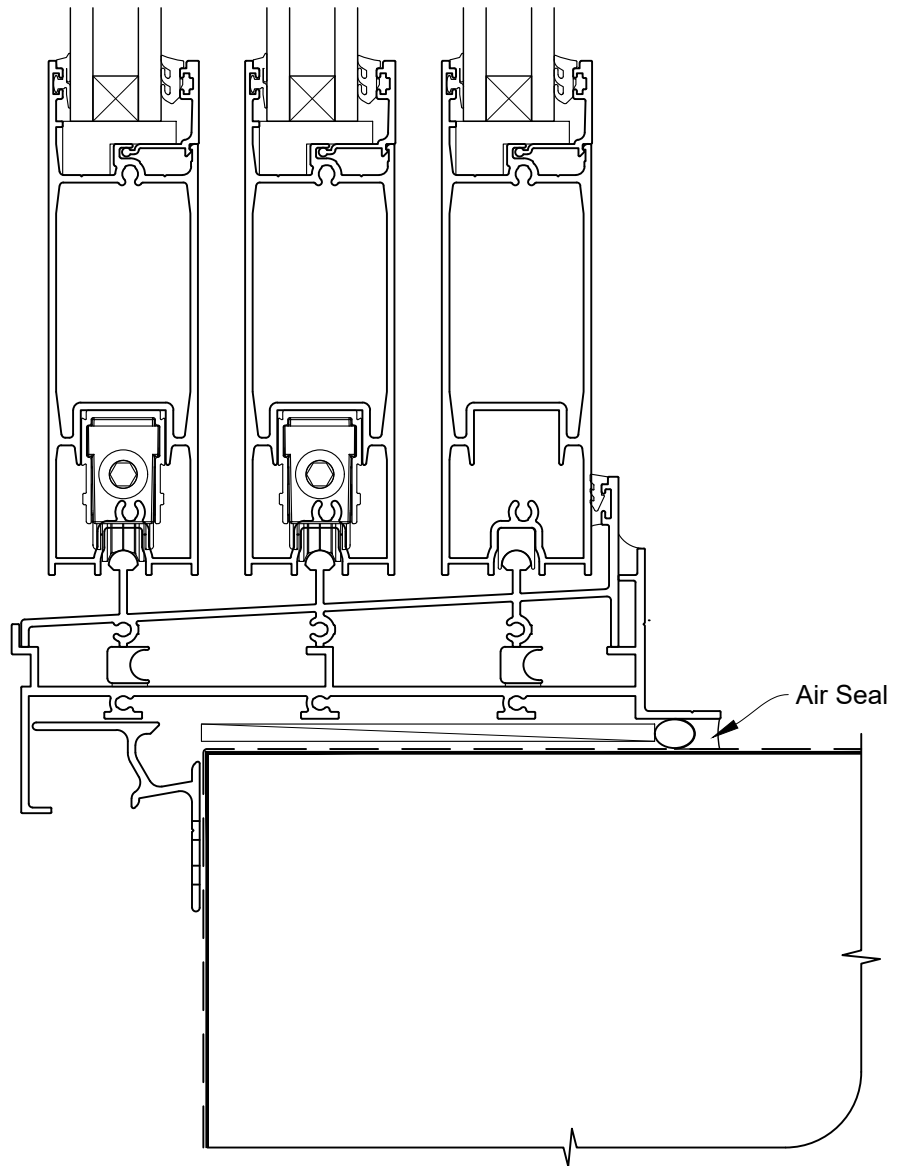


# INSTALLATION DETAIL - ARCHITECTURAL SERIES SLIDING DOOR THREE TRACK ON NO CLADDING CAVITY CONSTRUCTION

Date: 27.09.19

Scale: 1:2

CAD Ref.: ASS3NC-CS

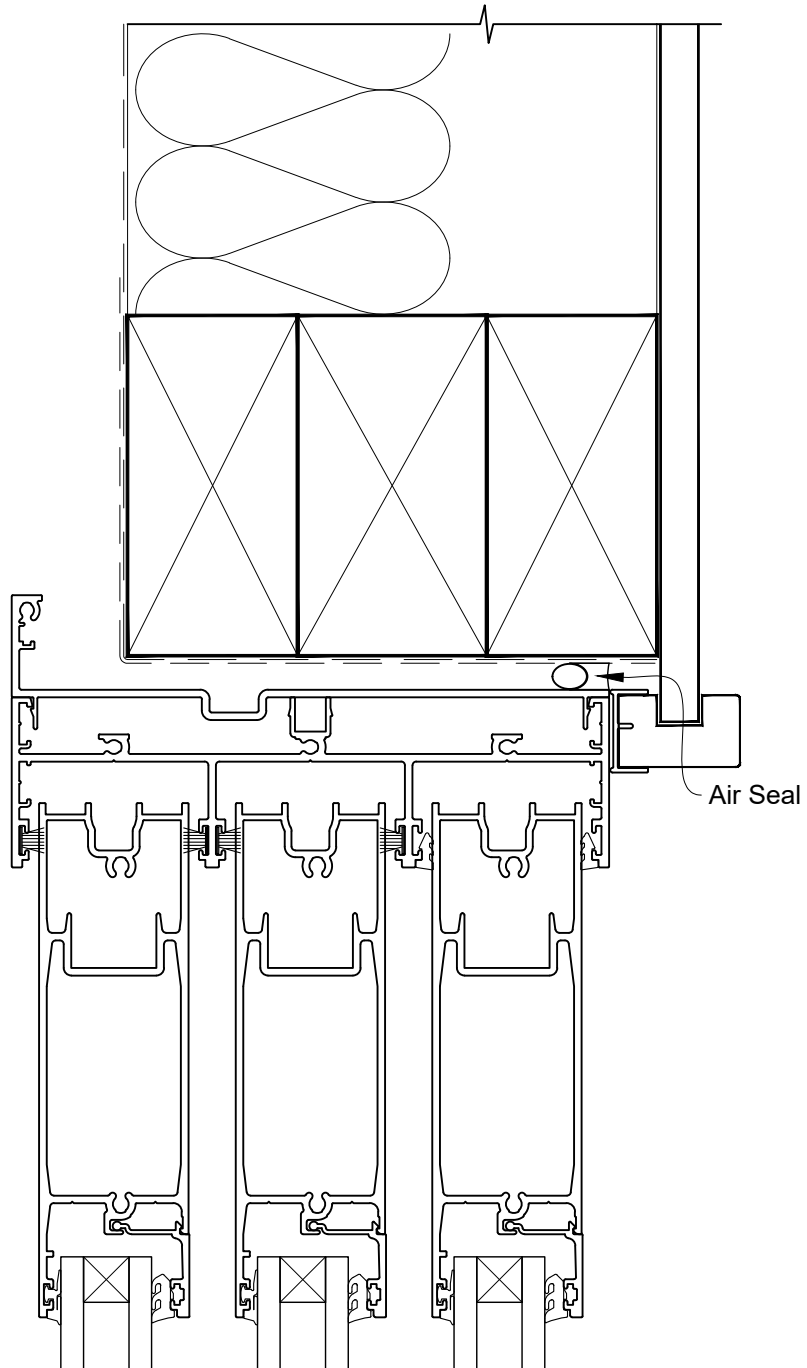


# INSTALLATION DETAIL - ARCHITECTURAL SERIES SLIDING DOOR THREE TRACK ON NO CLADDING DIRECT FIXED CLADDING

Date: 27.09.19

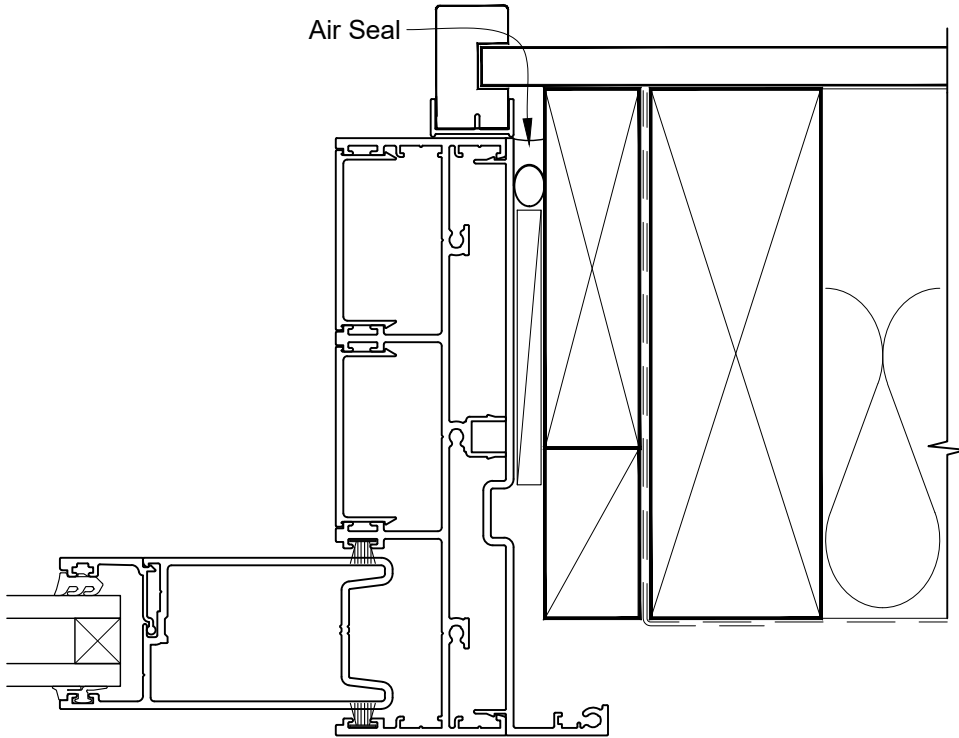
Scale: 1:2

CAD Ref.: ASS3NC-DH



# INSTALLATION DETAIL - ARCHITECTURAL SERIES SLIDING DOOR THREE TRACK ON NO CLADDING DIRECT FIXED CLADDING

Date: 27.09.19      Scale: 1:2      CAD Ref.: ASS3NC-DJ



# INSTALLATION DETAIL - ARCHITECTURAL SERIES SLIDING DOOR THREE TRACK ON NO CLADDING DIRECT FIXED CLADDING

Date: 27.09.19

Scale: 1:2

CAD Ref.: ASS3NC-DS

