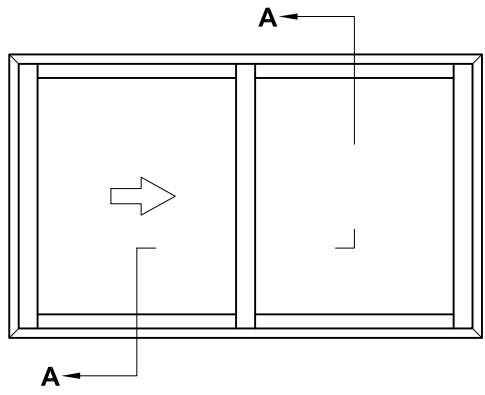


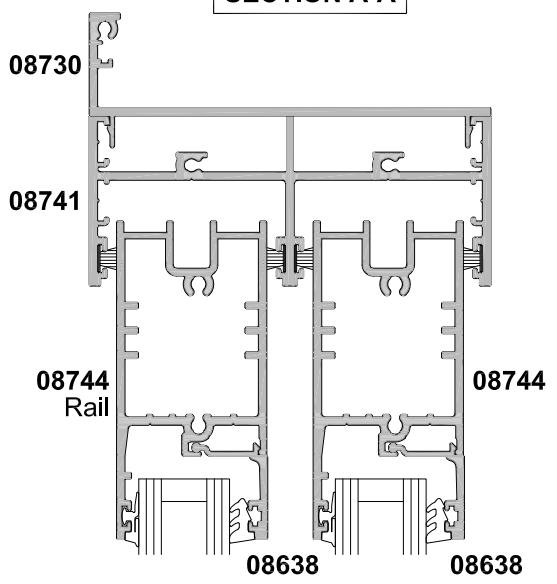
**APL ARCHITECTURAL SERIES**  
**SLIDING WINDOW -**  
**TWIN TRACK TWO PANEL SF (VERTICAL)**

**CROSS SECTION**

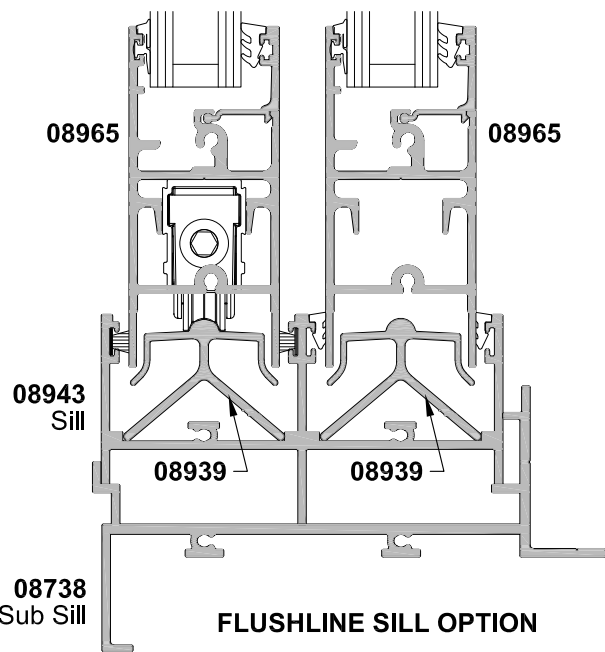
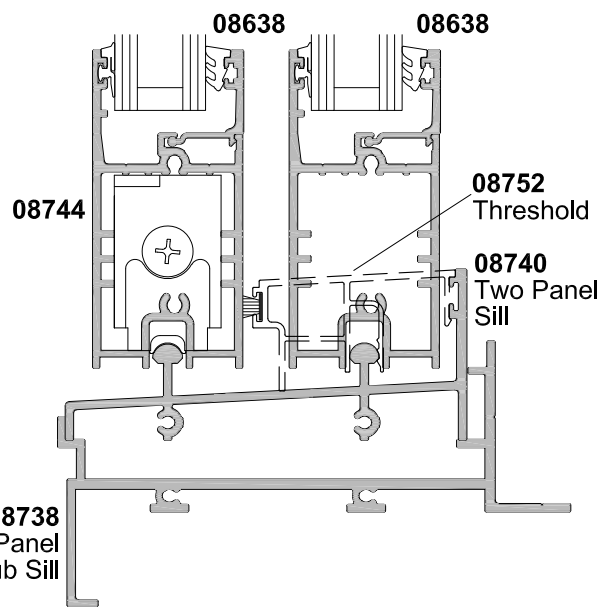
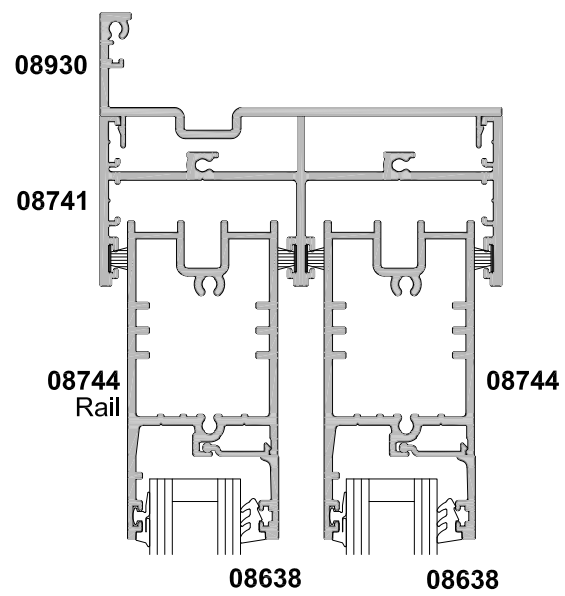
Date 27.09.19 Scale 1:2



**SECTION A-A**



**106mm DRAINED FACING OPTION**



**FLUSHLINE SILL OPTION**