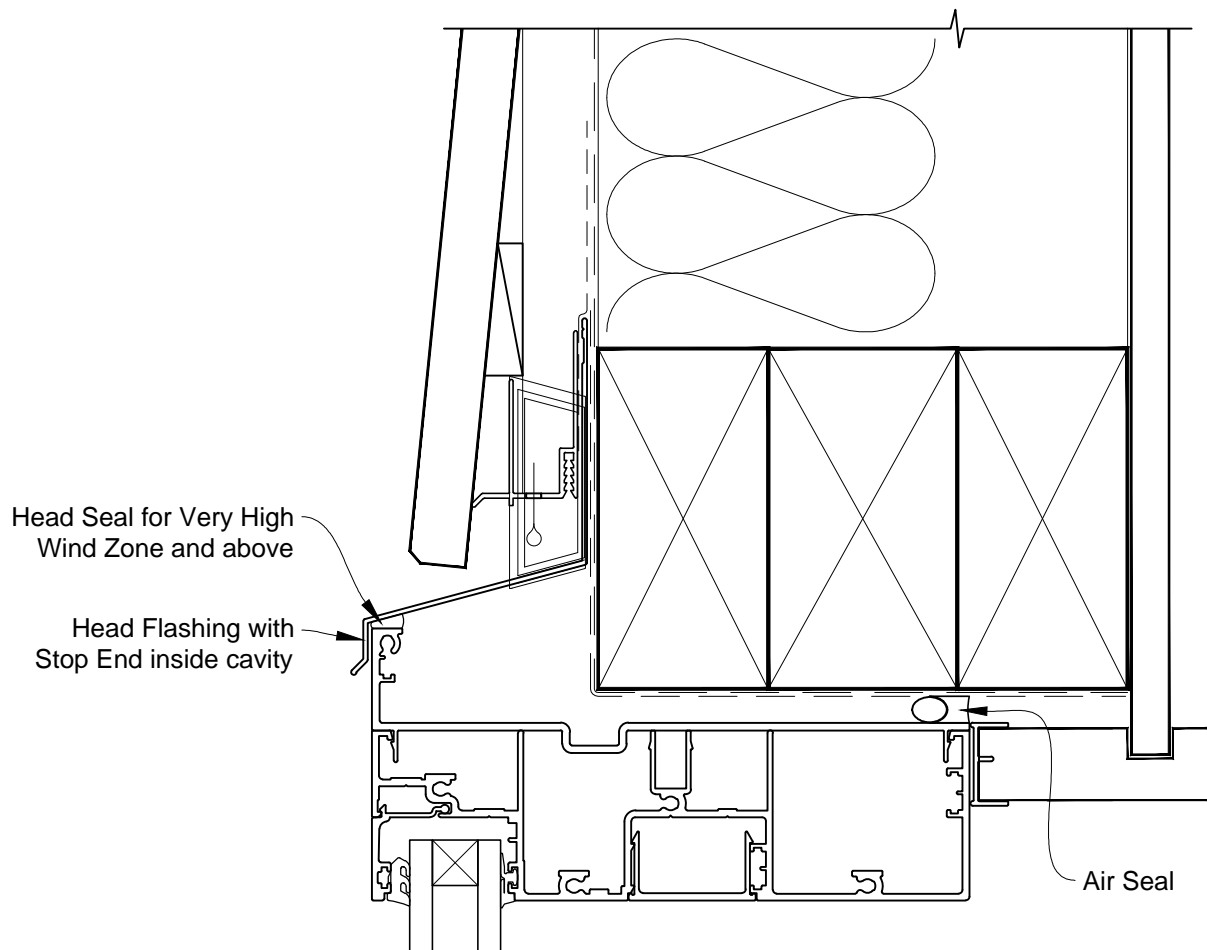


# INSTALLATION DETAIL - ARCHITECTURAL 158mm SERIES AWNING WINDOW ON BEVELBACK WEATHERBOARD CAVITY CONSTRUCTION

Date: 01.03.14

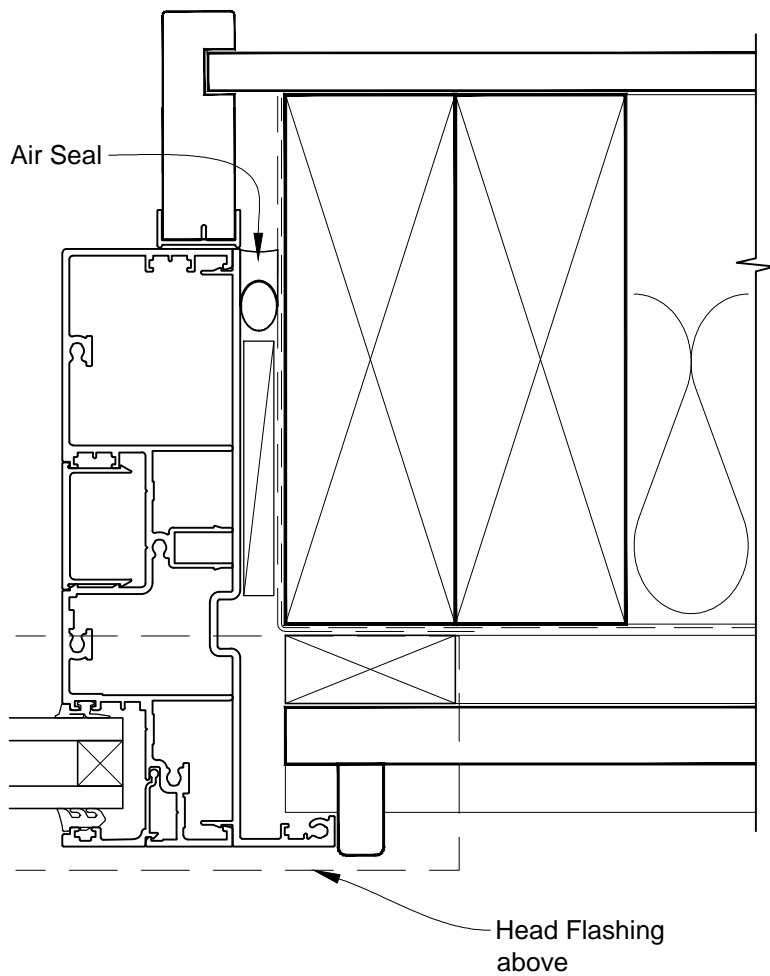
Scale: 1:2

CAD Ref.: ASAW158BW-CH



# INSTALLATION DETAIL - ARCHITECTURAL 158mm SERIES AWNING WINDOW ON BEVELBACK WEATHERBOARD CAVITY CONSTRUCTION

Date: 01.03.14      Scale: 1:2      CAD Ref.: ASAW158BW-CJ

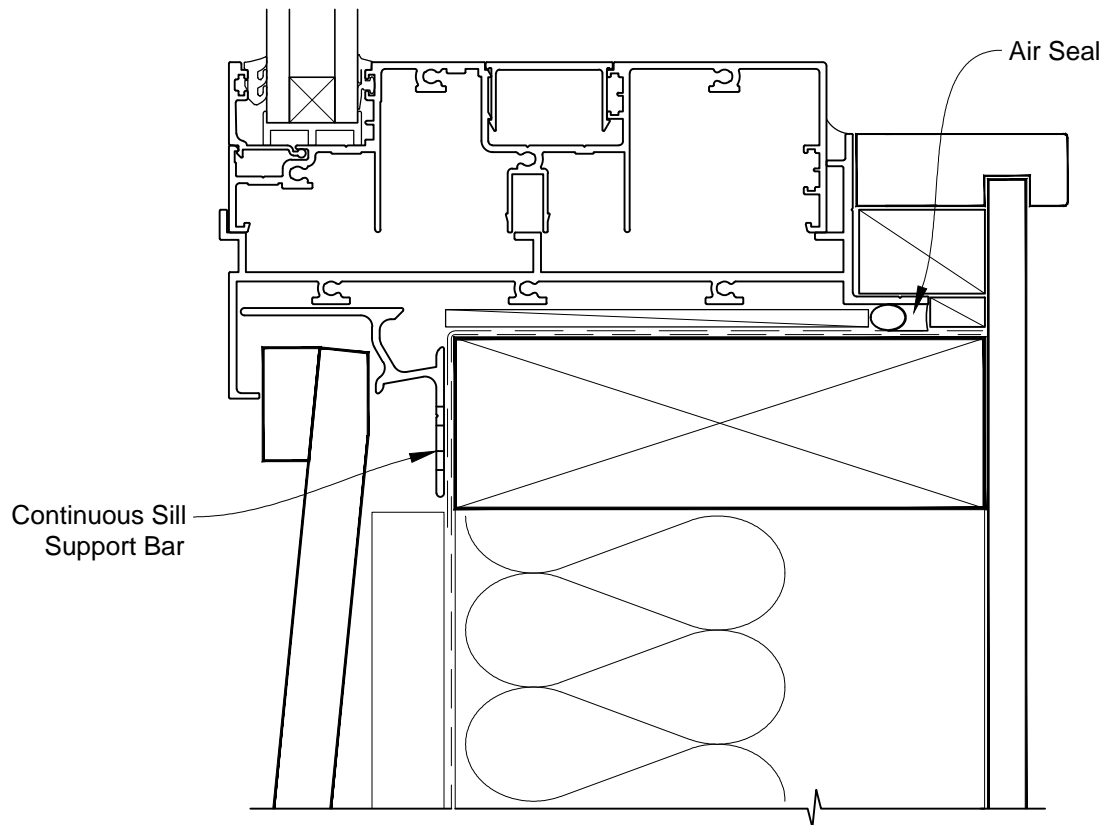


# INSTALLATION DETAIL - ARCHITECTURAL 158mm SERIES AWNING WINDOW ON BEVELBACK WEATHERBOARD CAVITY CONSTRUCTION

Date: 01.03.14

Scale: 1:2

CAD Ref.: ASAW158BW-CS

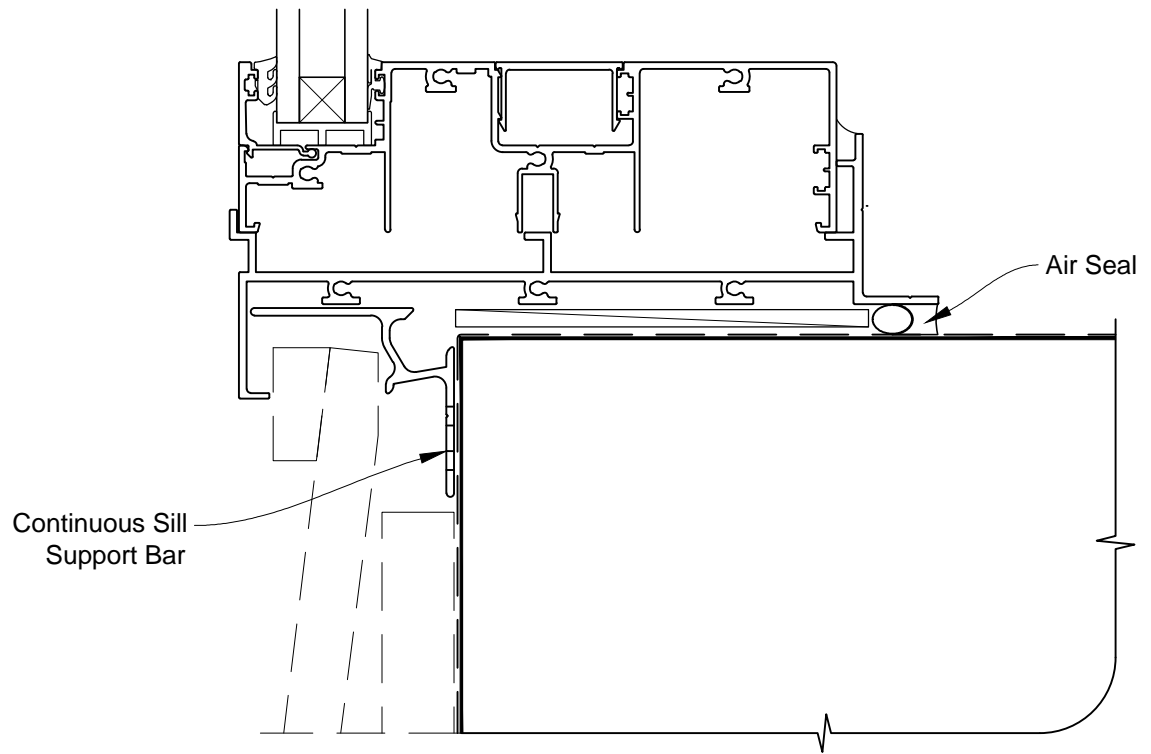


# INSTALLATION DETAIL - ARCHITECTURAL 158mm SERIES AWNING WINDOW ON BEVELBACK WEATHERBOARD CAVITY CONSTRUCTION

Date: 01.03.14

Scale: 1:2

CAD Ref.: ASAW158BW-CS2

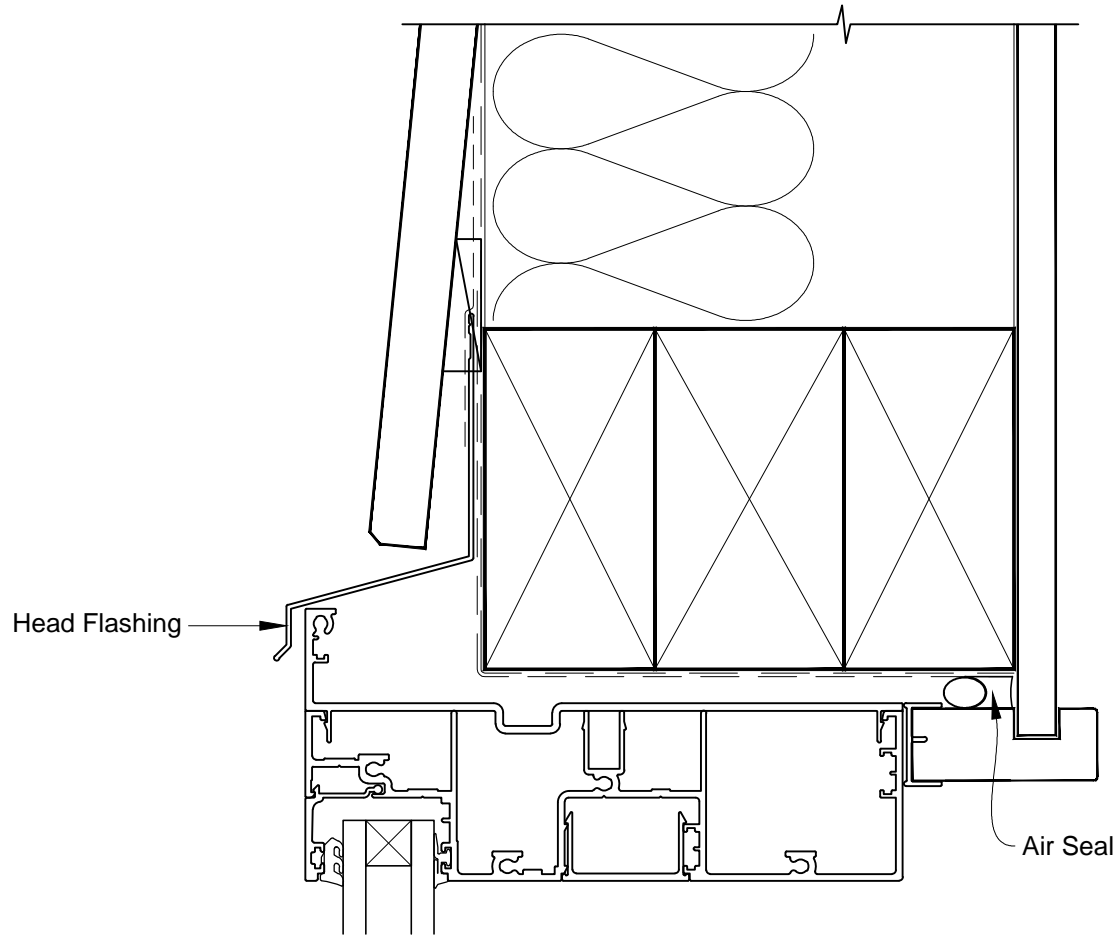


# INSTALLATION DETAIL - ARCHITECTURAL 158mm SERIES AWNING WINDOW ON BEVELBACK WEATHERBOARD DIRECT FIXED CLADDING

Date: 01.03.14

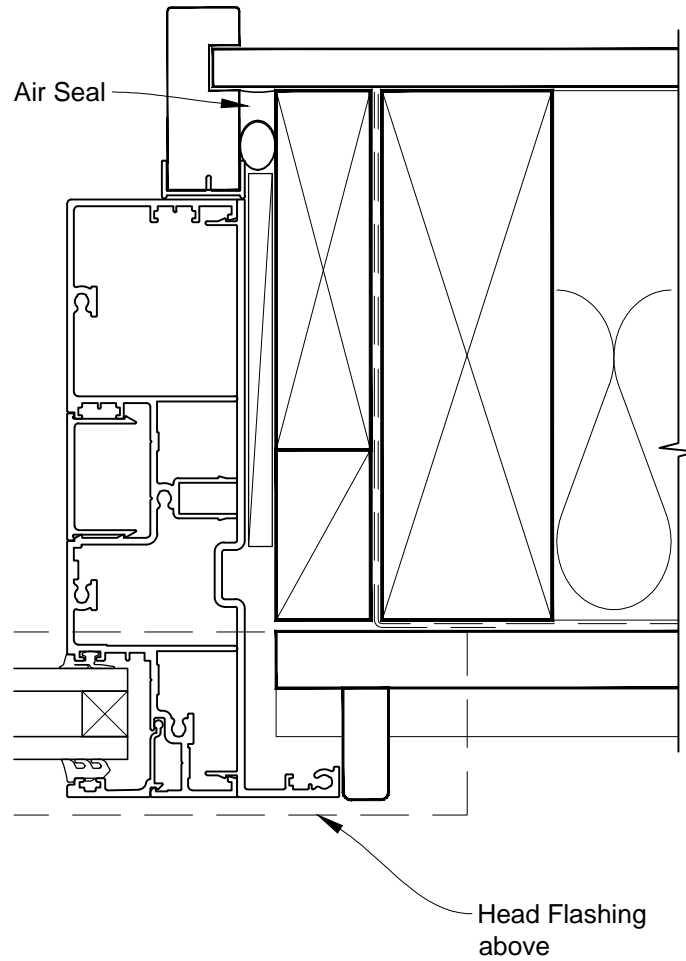
Scale: 1:2

CAD Ref.: ASAW158BW-DH



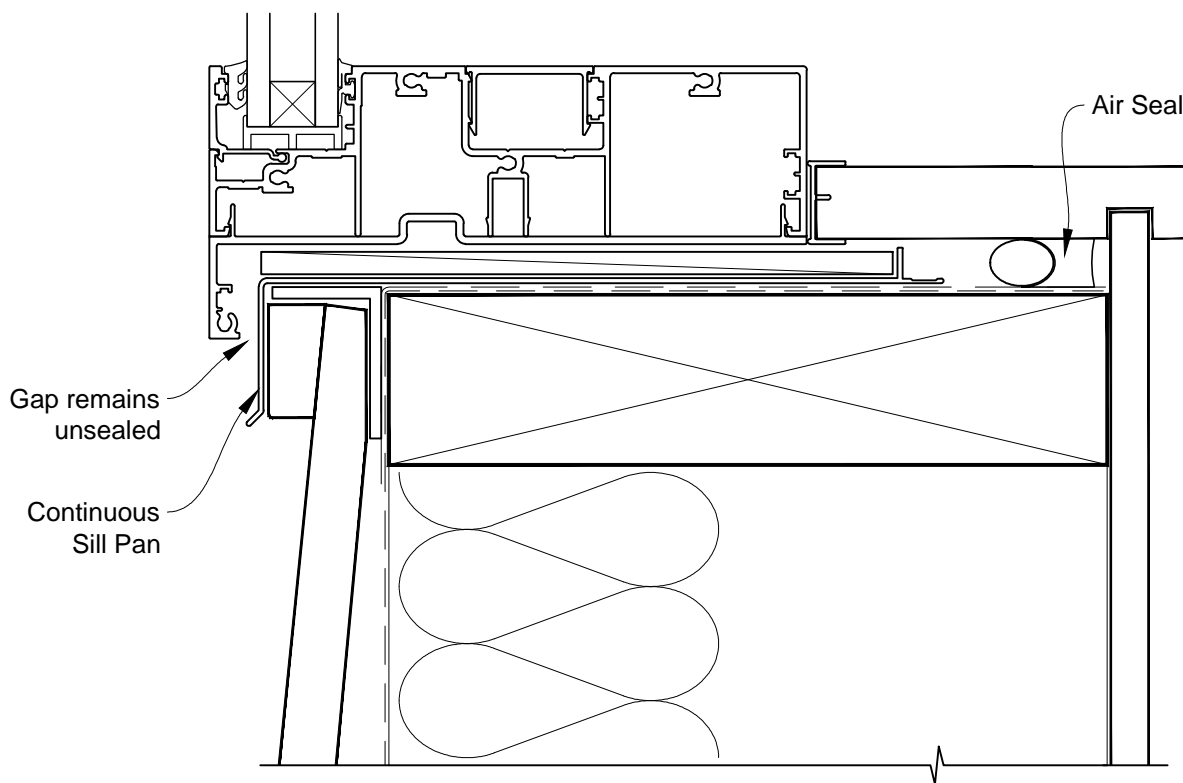
# INSTALLATION DETAIL - ARCHITECTURAL 158mm SERIES AWNING WINDOW ON BEVELBACK WEATHERBOARD DIRECT FIXED CLADDING

Date: 01.03.14      Scale: 1:2      CAD Ref.: ASAW158BW-DJ



# INSTALLATION DETAIL - ARCHITECTURAL 158mm SERIES AWNING WINDOW ON BEVELBACK WEATHERBOARD DIRECT FIXED CLADDING

Date: 01.03.14      Scale: 1:2      CAD Ref.: ASAW158BW-DS



# INSTALLATION DETAIL - ARCHITECTURAL 158mm SERIES AWNING WINDOW ON BEVELBACK WEATHERBOARD DIRECT FIXED CLADDING

Date: 01.03.14      Scale: 1:2      CAD Ref.: ASAW158BW-DS2

