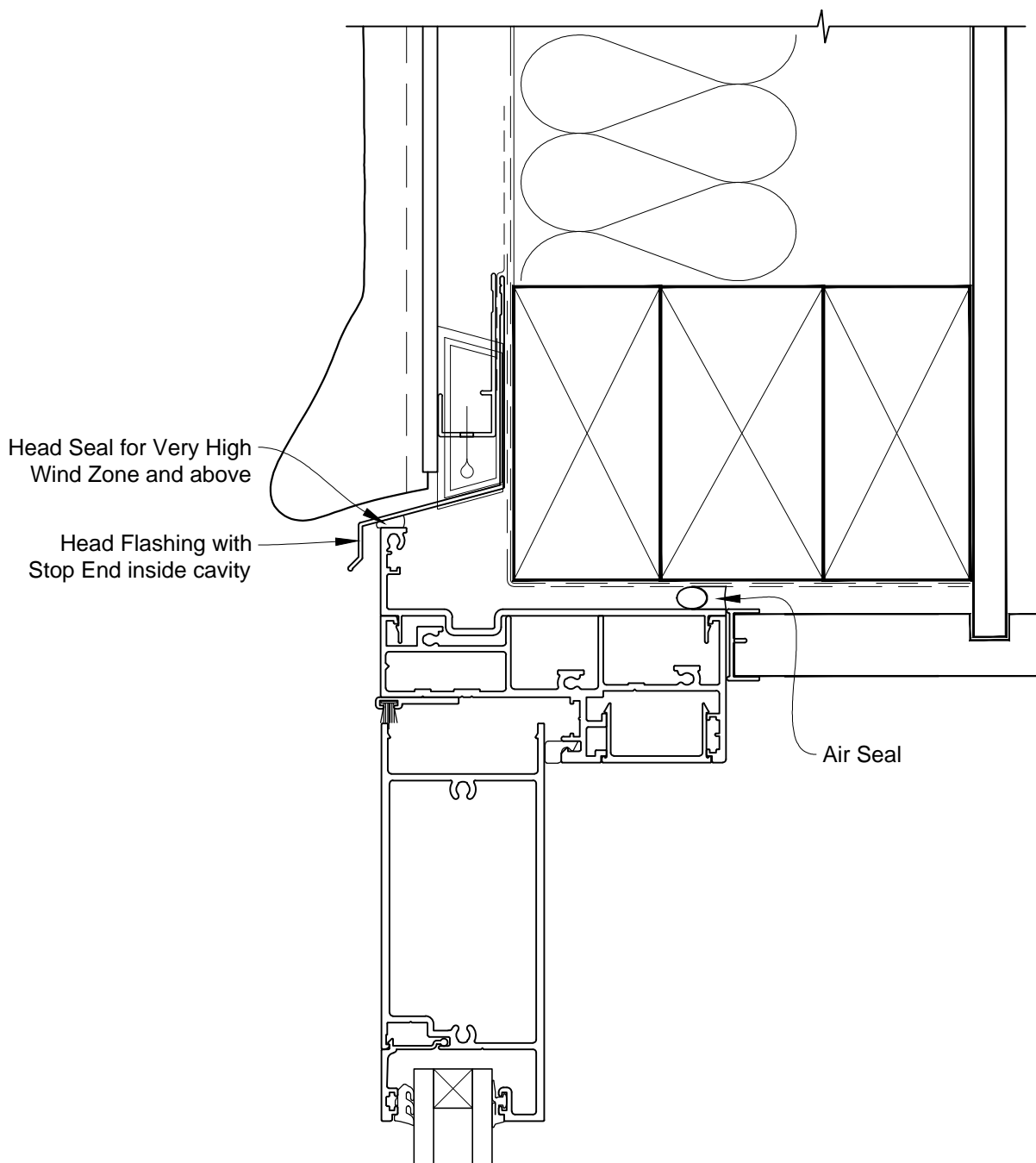


# INSTALLATION DETAIL - ARCHITECTURAL 106mm SERIES HINGED DOOR OPEN OUT ON STUCCO CAVITY CONSTRUCTION

Date: 01.03.14

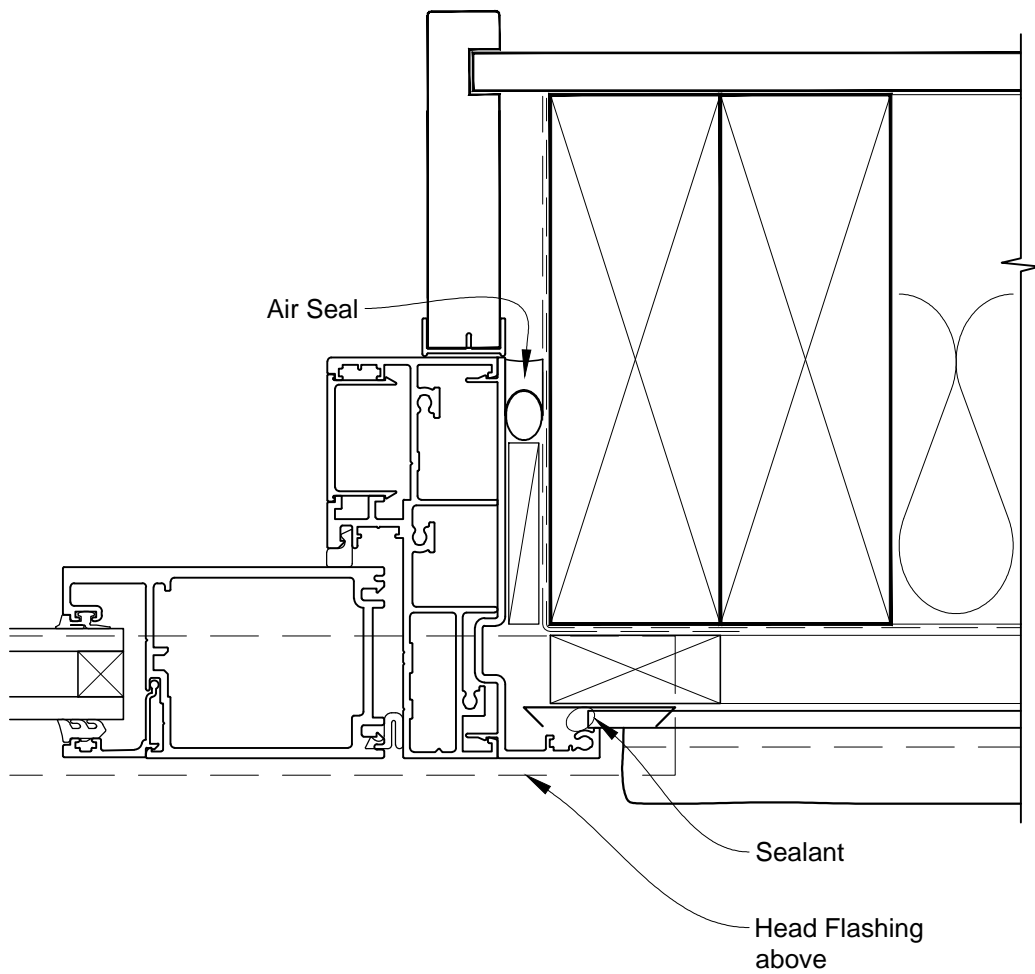
Scale: 1:2

CAD Ref.: ASHO106ST-CH



# INSTALLATION DETAIL - ARCHITECTURAL 106mm SERIES HINGED DOOR OPEN OUT ON STUCCO CAVITY CONSTRUCTION

Date: 01.03.14      Scale: 1:2      CAD Ref.: ASHO106ST-CJ



# INSTALLATION DETAIL - ARCHITECTURAL 106mm SERIES HINGED DOOR OPEN OUT ON STUCCO CAVITY CONSTRUCTION

Date: 01.03.14      Scale: 1:2      CAD Ref.: ASHO106ST-CS

