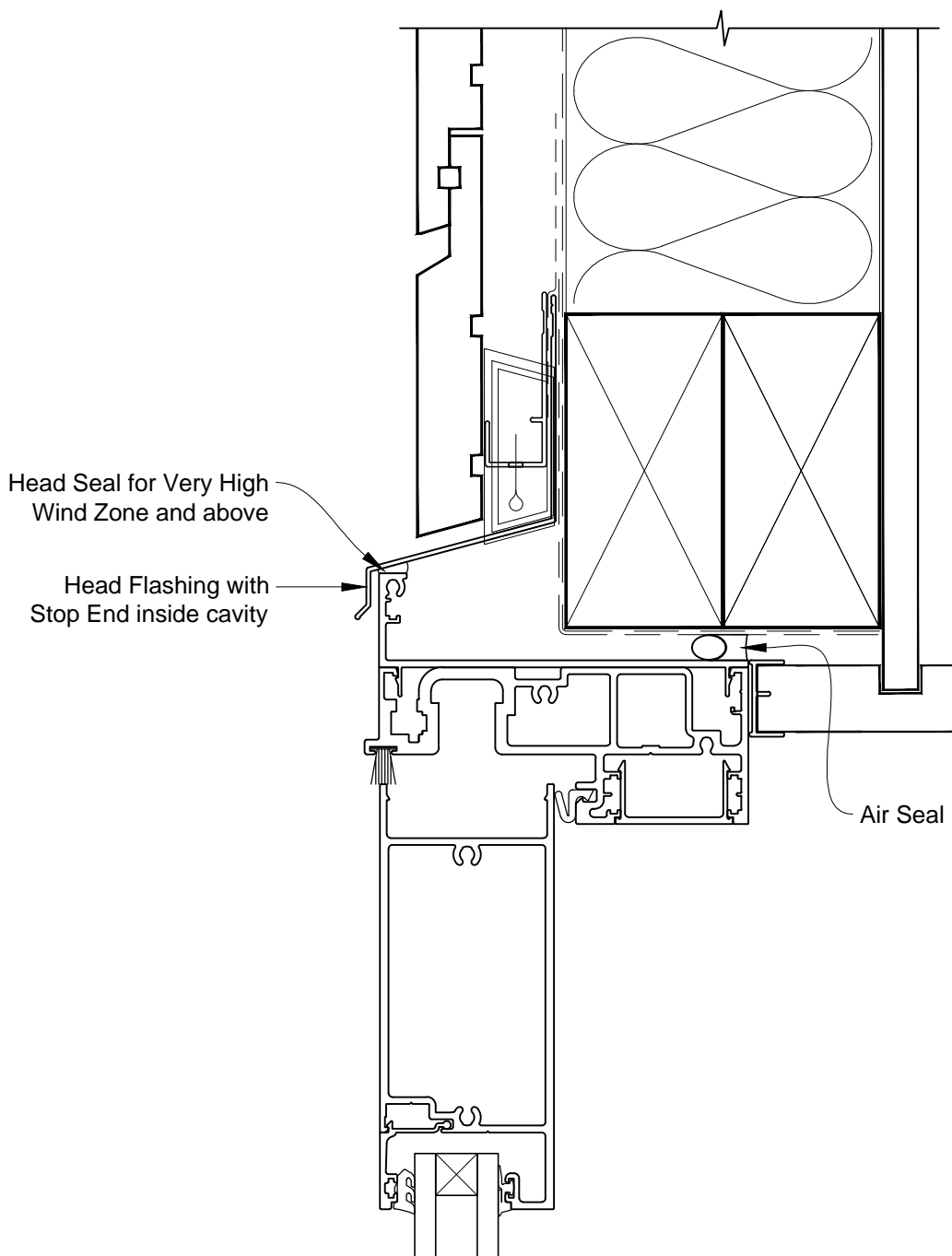


# INSTALLATION DETAIL - ARCHITECTURAL 106mm SERIES BIFOLD DOOR OPEN OUT ON RUSTICATED WEATHERBOARD CAVITY CONSTRUCTION

Date: 01.03.14      Scale: 1:2      CAD Ref.: ASBO106RW-CH

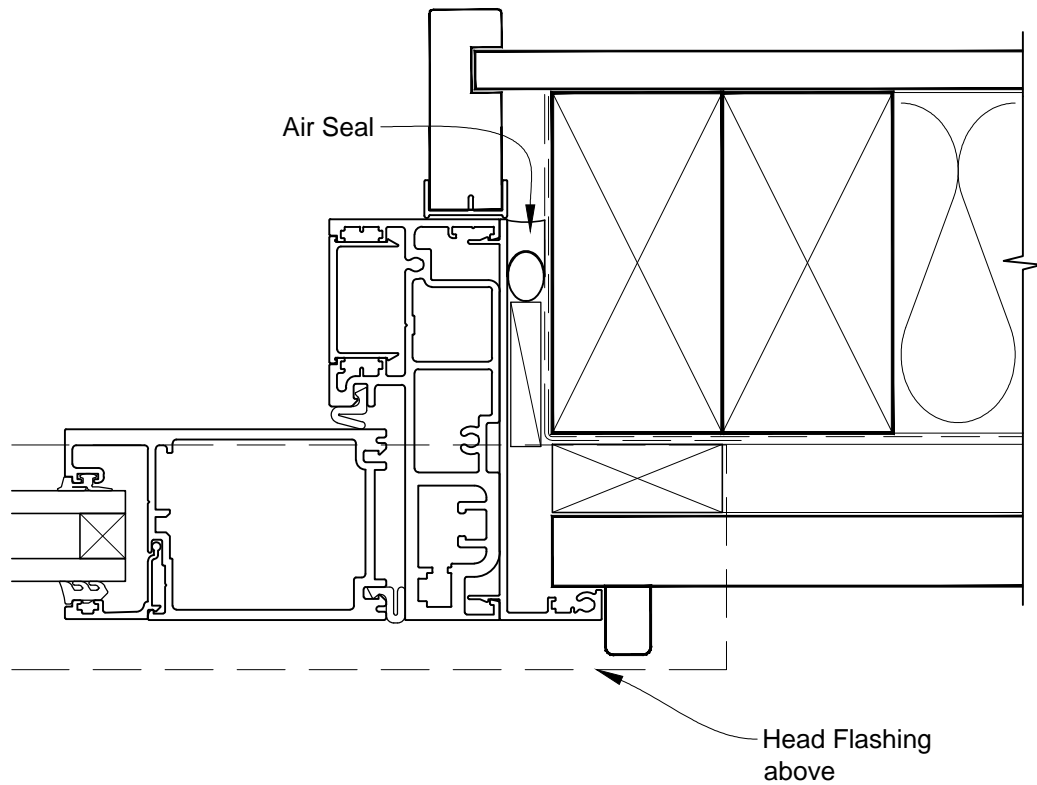


# INSTALLATION DETAIL - ARCHITECTURAL 106mm SERIES BIFOLD DOOR OPEN OUT ON RUSTICATED WEATHERBOARD CAVITY CONSTRUCTION

Date: 01.03.14

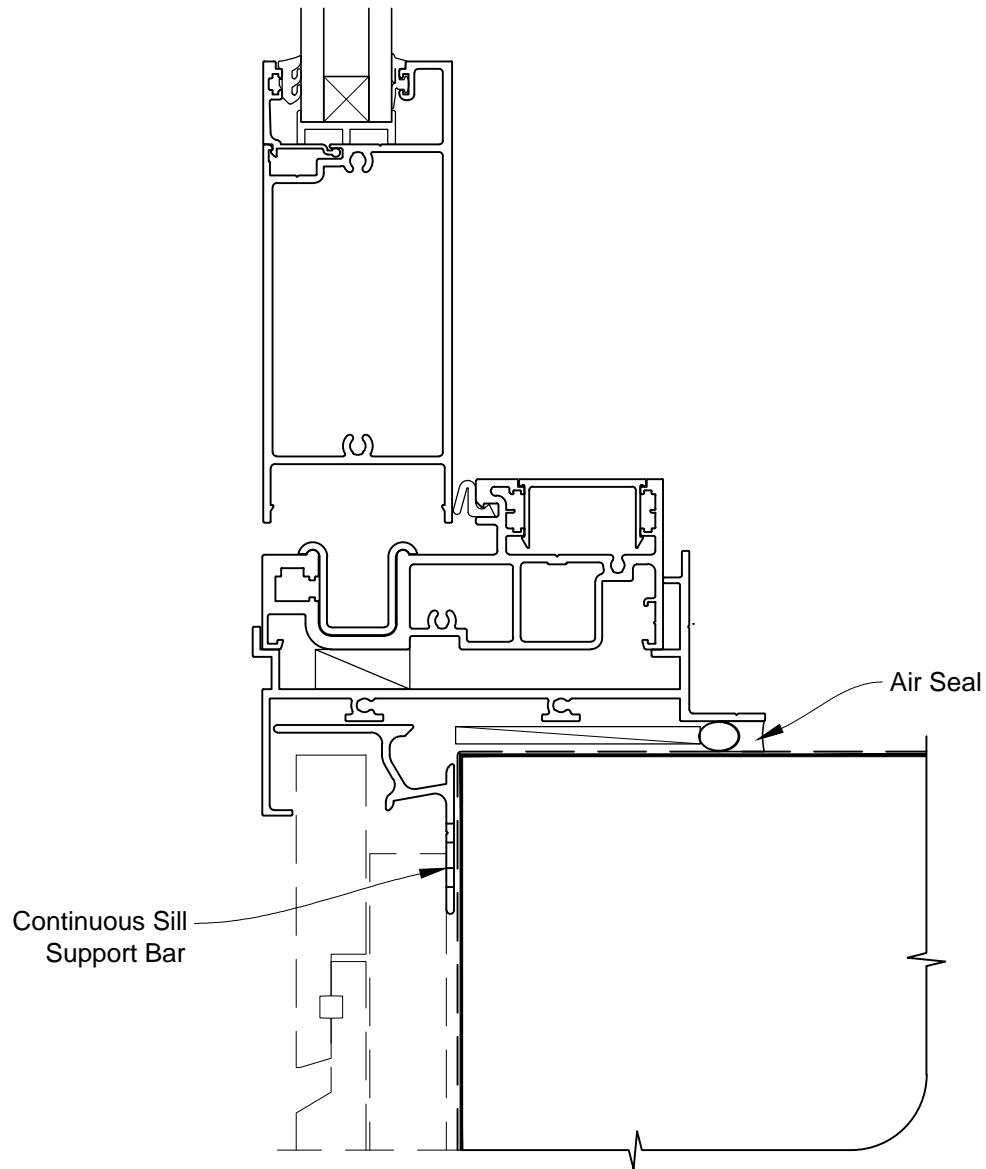
Scale: 1:2

CAD Ref.: ASBO106RW-CJ



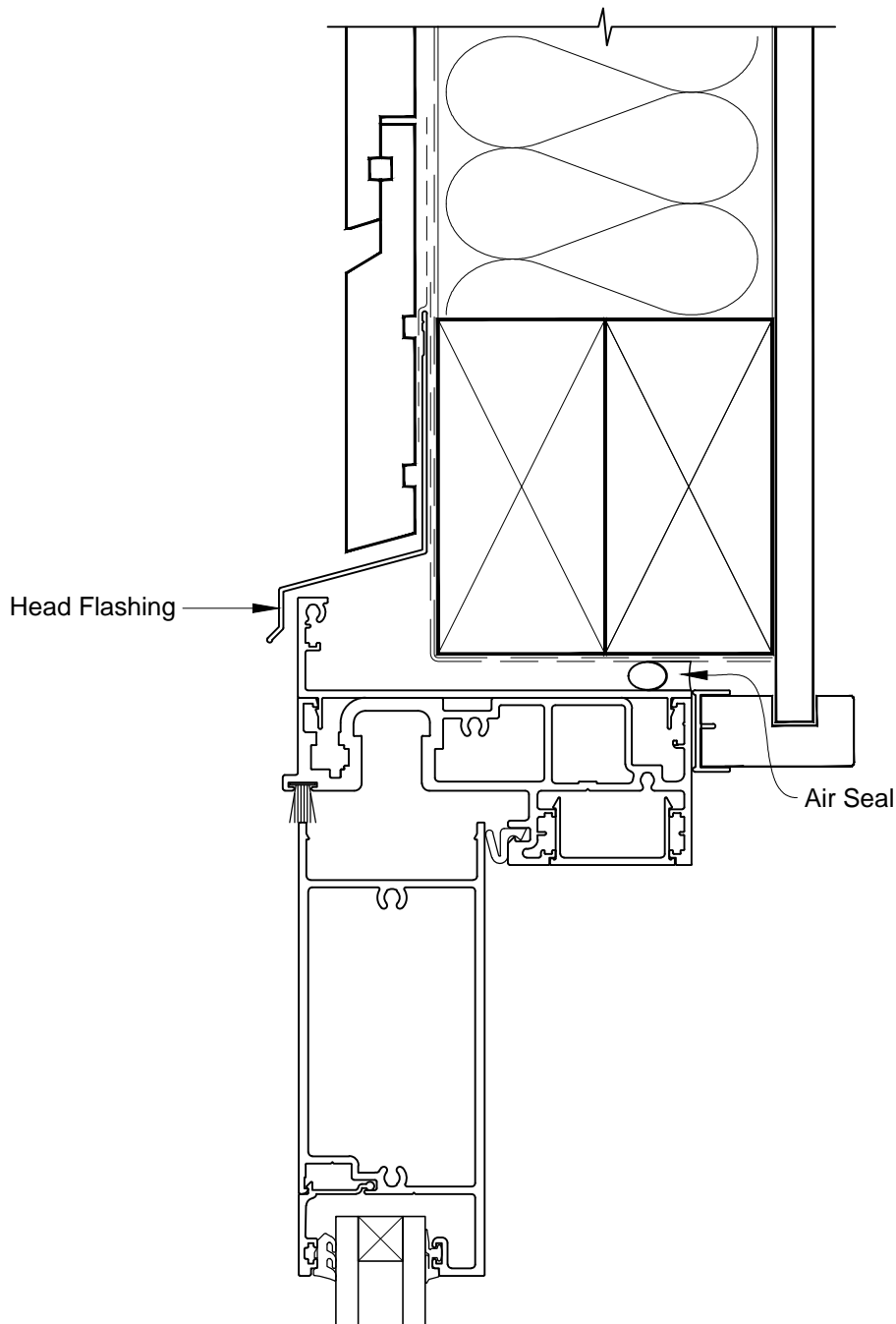
# INSTALLATION DETAIL - ARCHITECTURAL 106mm SERIES BIFOLD DOOR OPEN OUT ON RUSTICATED WEATHERBOARD CAVITY CONSTRUCTION

Date: 01.03.14      Scale: 1:2      CAD Ref.: ASBO106RW-CS



# INSTALLATION DETAIL - ARCHITECTURAL 106mm SERIES BIFOLD DOOR OPEN OUT ON RUSTICATED WEATHERBOARD DIRECT FIXED CLADDING

Date: 01.03.14      Scale: 1:2      CAD Ref.: ASBO106RW-DH

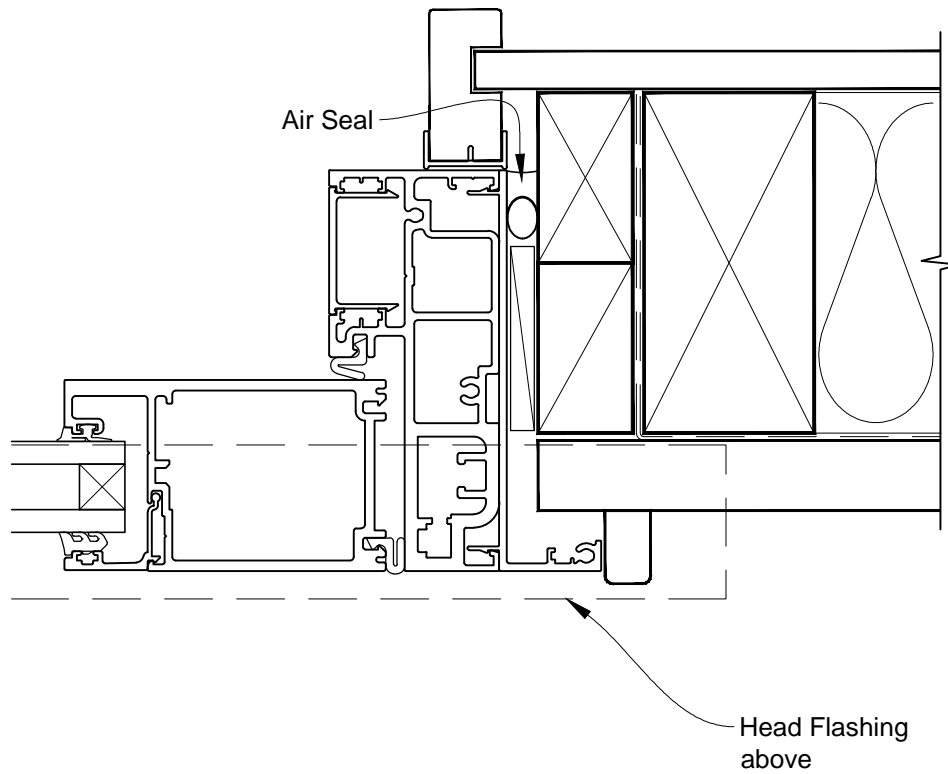


# INSTALLATION DETAIL - ARCHITECTURAL 106mm SERIES BIFOLD DOOR OPEN OUT ON RUSTICATED WEATHERBOARD DIRECT FIXED CLADDING

Date: 01.03.14

Scale: 1:2

CAD Ref.: ASBO106RW-DJ



# INSTALLATION DETAIL - ARCHITECTURAL 106mm SERIES BIFOLD DOOR OPEN OUT ON RUSTICATED WEATHERBOARD DIRECT FIXED CLADDING

Date: 01.03.14      Scale: 1:2      CAD Ref.: ASBO106RW-DS

