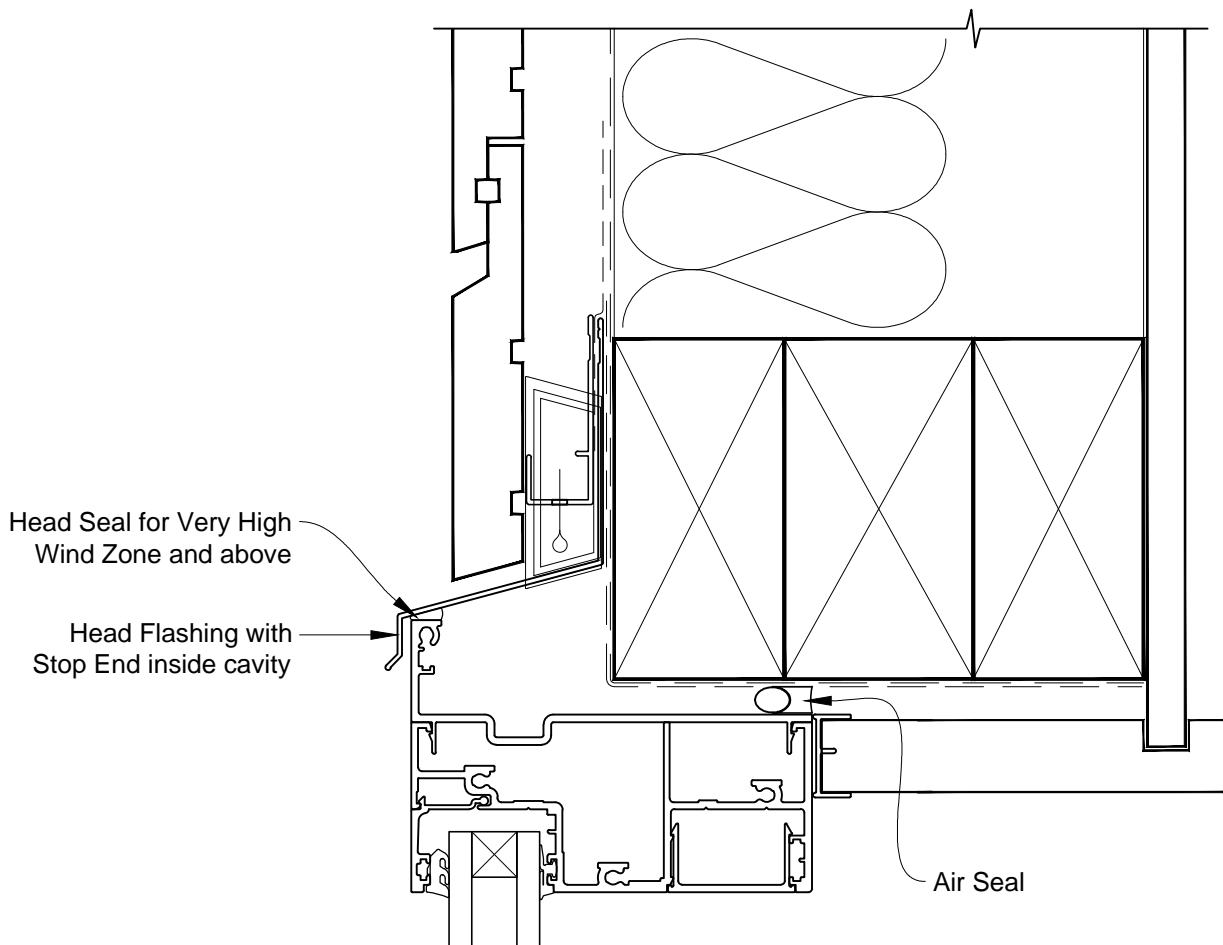


INSTALLATION DETAIL - ARCHITECTURAL 106mm SERIES AWNING WINDOW ON RUSTICATED WEATHERBOARD CAVITY CONSTRUCTION

Date: 01.03.14

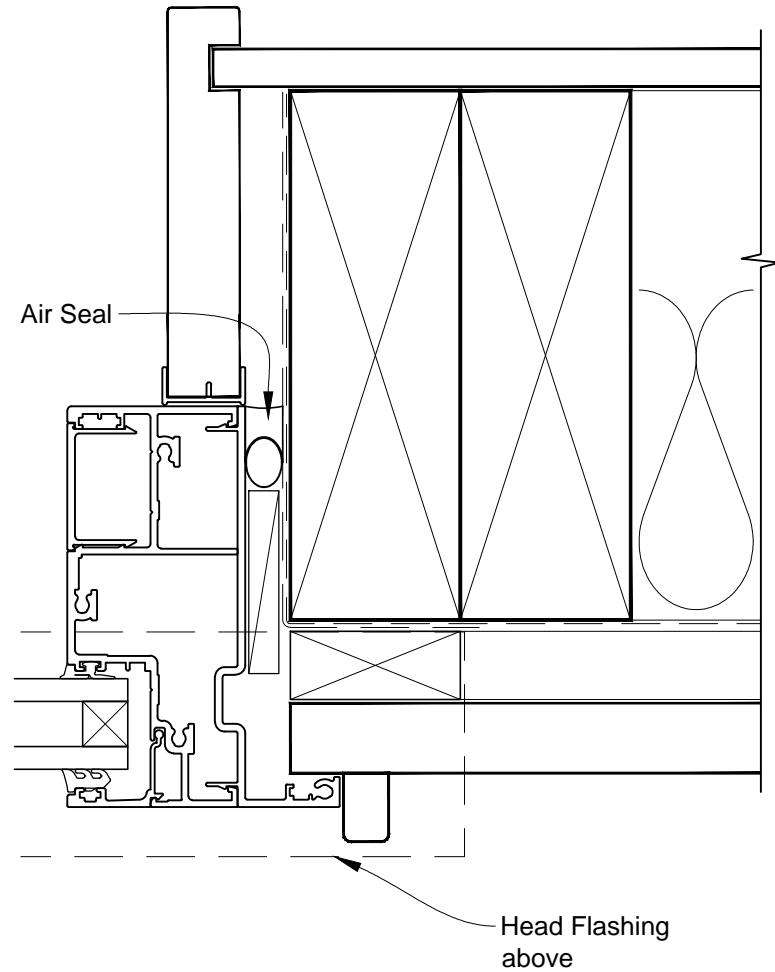
Scale: 1:2

CAD Ref.: ASAW106RW-CH



INSTALLATION DETAIL - ARCHITECTURAL 106mm SERIES AWNING WINDOW ON RUSTICATED WEATHERBOARD CAVITY CONSTRUCTION

Date: 01.03.14 Scale: 1:2 CAD Ref.: ASAW106RW-CJ

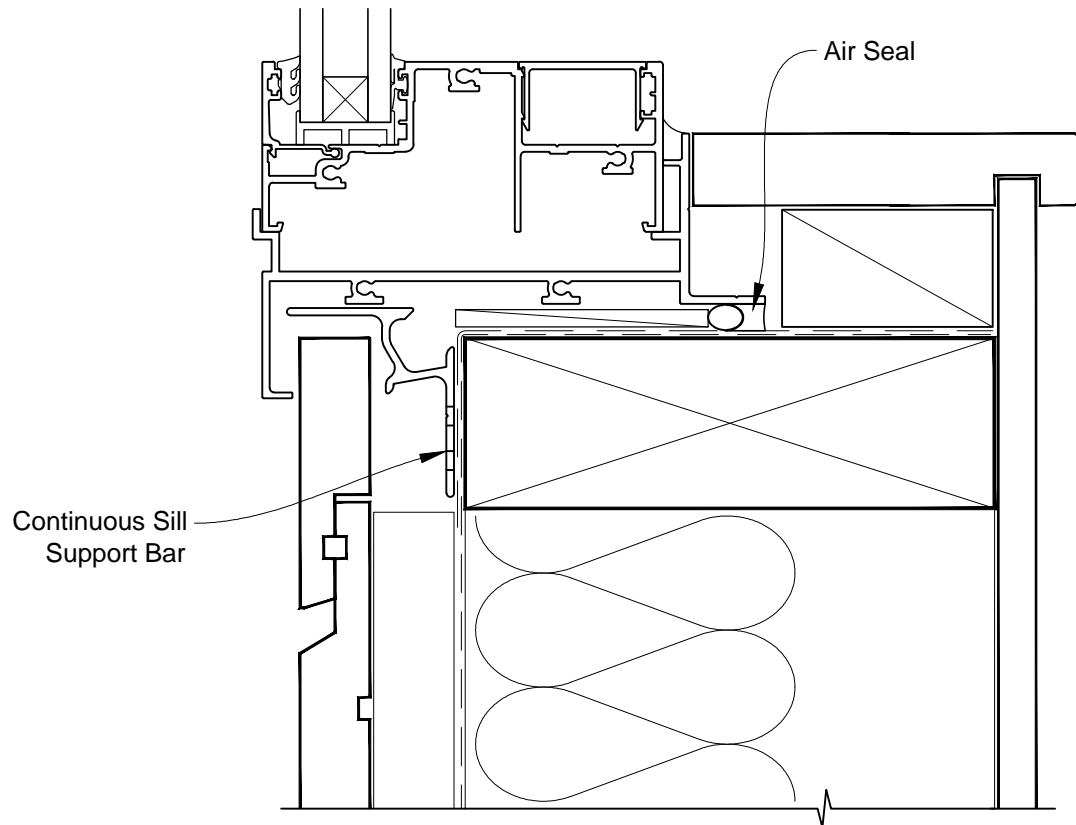


INSTALLATION DETAIL - ARCHITECTURAL 106mm SERIES AWNING WINDOW ON RUSTICATED WEATHERBOARD CAVITY CONSTRUCTION

Date: 01.03.14

Scale: 1:2

CAD Ref.: ASAW106RW-CS

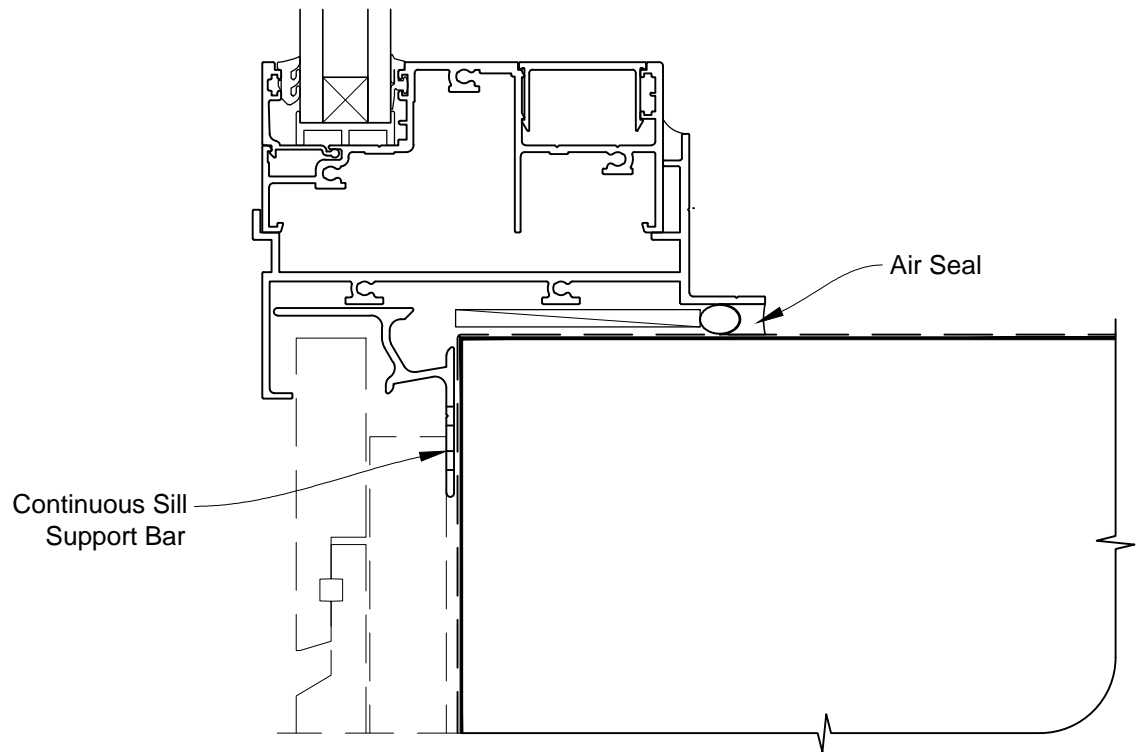


INSTALLATION DETAIL - ARCHITECTURAL 106mm SERIES AWNING WINDOW ON RUSTICATED WEATHERBOARD CAVITY CONSTRUCTION

Date: 01.03.14

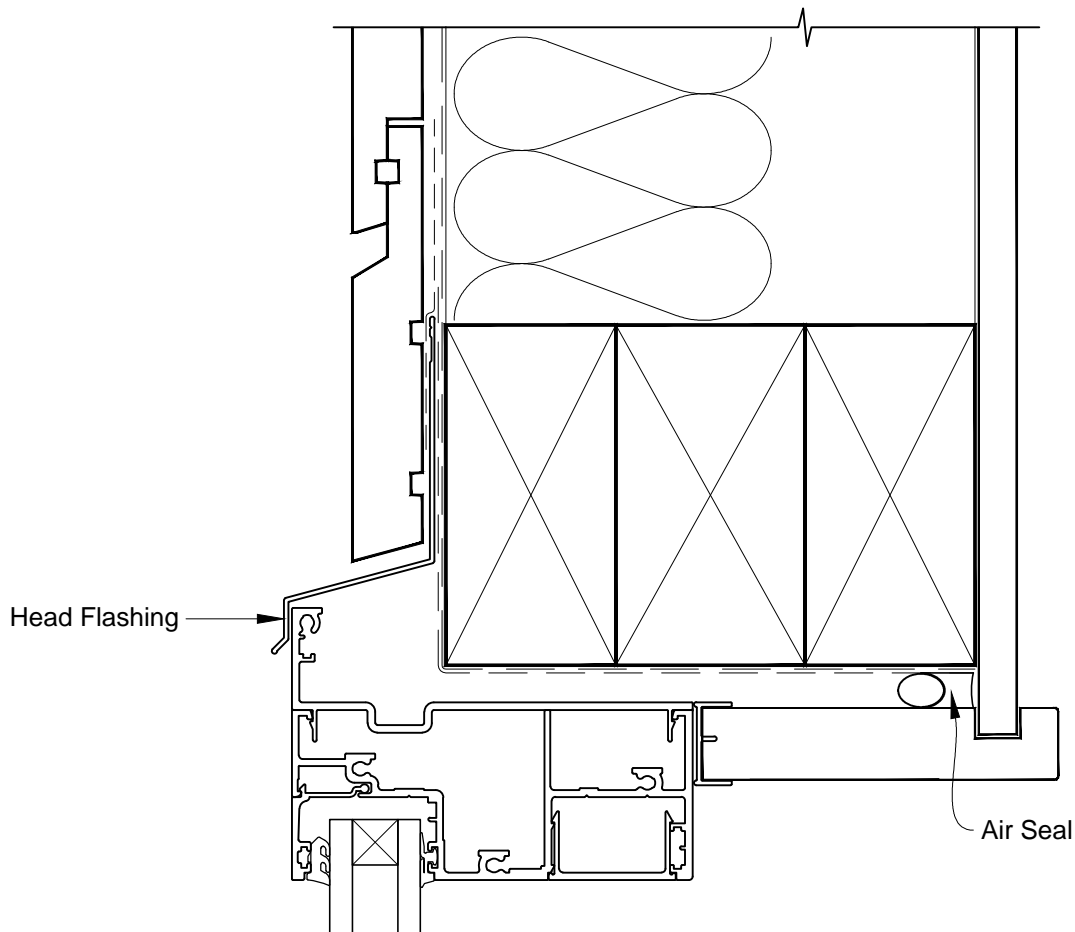
Scale: 1:2

CAD Ref.: ASAW106RW-CS2



INSTALLATION DETAIL - ARCHITECTURAL 106mm SERIES AWNING WINDOW ON RUSTICATED WEATHERBOARD DIRECT FIXED CLADDING

Date: 01.03.14 Scale: 1:2 CAD Ref.: ASAW106RW-DH

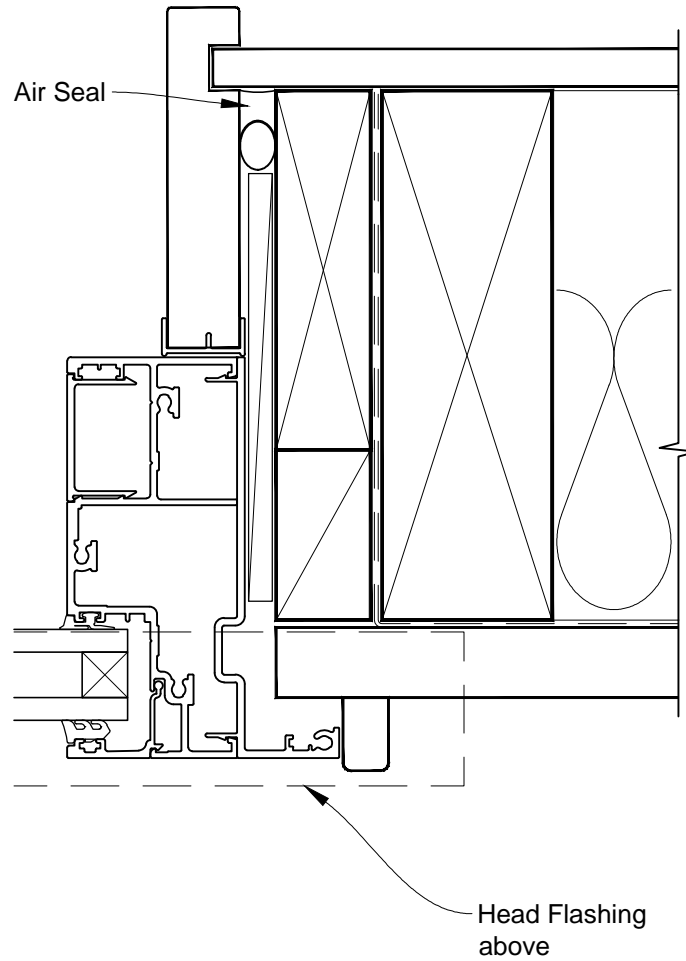


INSTALLATION DETAIL - ARCHITECTURAL 106mm SERIES AWNING WINDOW ON RUSTICATED WEATHERBOARD DIRECT FIXED CLADDING

Date: 01.03.14

Scale: 1:2

CAD Ref.: ASAW106RW-DJ

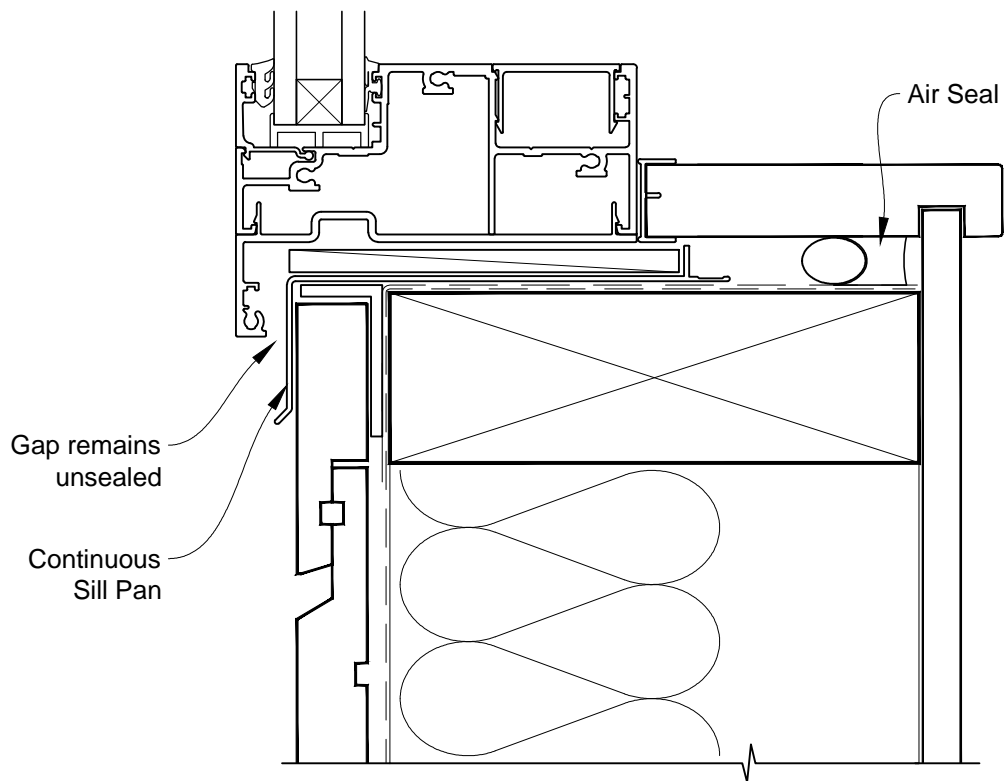


INSTALLATION DETAIL - ARCHITECTURAL 106mm SERIES AWNING WINDOW ON RUSTICATED WEATHERBOARD DIRECT FIXED CLADDING

Date: 01.03.14

Scale: 1:2

CAD Ref.: ASAW106RW-DS



INSTALLATION DETAIL - ARCHITECTURAL 106mm SERIES AWNING WINDOW ON RUSTICATED WEATHERBOARD DIRECT FIXED CLADDING

Date: 01.03.14

Scale: 1:2

CAD Ref.: ASAW106RW-DS2

