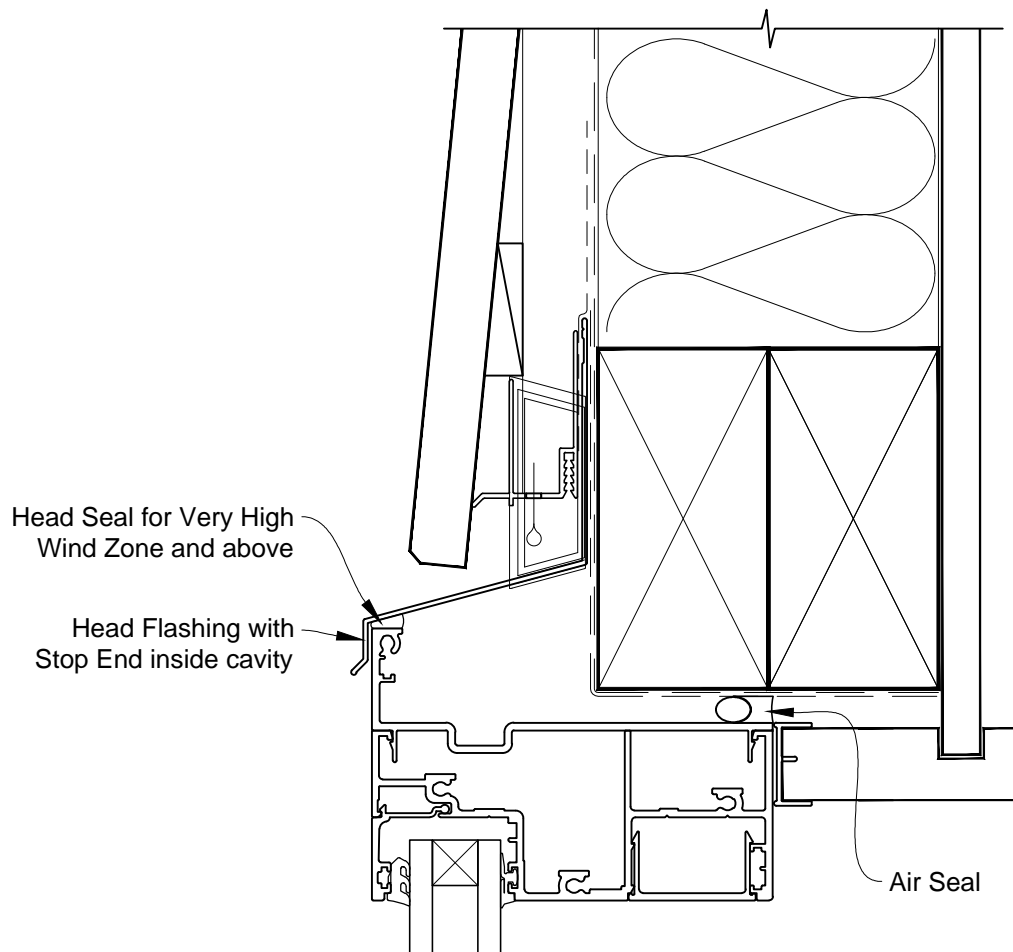


INSTALLATION DETAIL - ARCHITECTURAL 106mm SERIES AWNING WINDOW ON BEVELBACK WEATHERBOARD CAVITY CONSTRUCTION

Date: 01.03.14 Scale: 1:2 CAD Ref.: ASAW106BW-CH

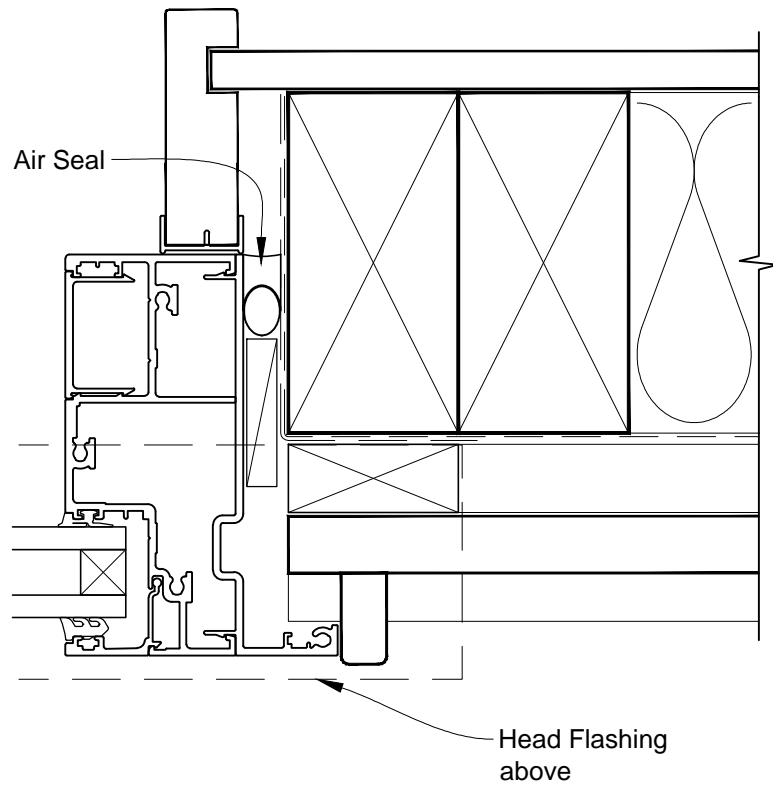


INSTALLATION DETAIL - ARCHITECTURAL 106mm SERIES AWNING WINDOW ON BEVELBACK WEATHERBOARD CAVITY CONSTRUCTION

Date: 01.03.14

Scale: 1:2

CAD Ref.: ASAW106BW-CJ

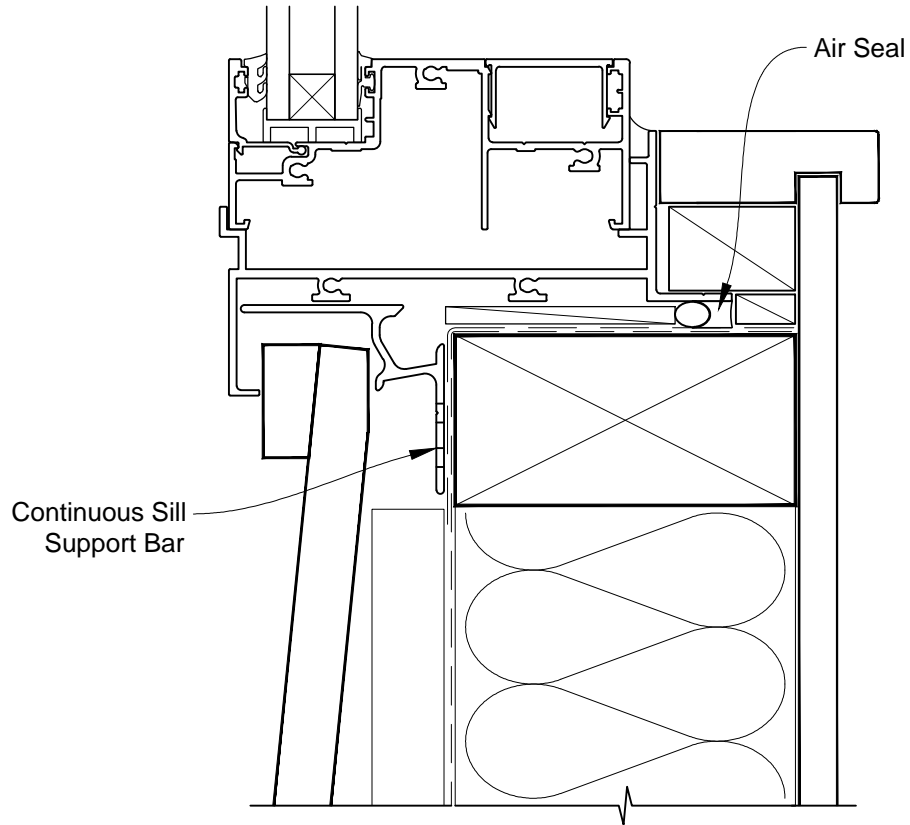


INSTALLATION DETAIL - ARCHITECTURAL 106mm SERIES AWNING WINDOW ON BEVELBACK WEATHERBOARD CAVITY CONSTRUCTION

Date: 01.03.14

Scale: 1:2

CAD Ref.: ASAW106BW-CS

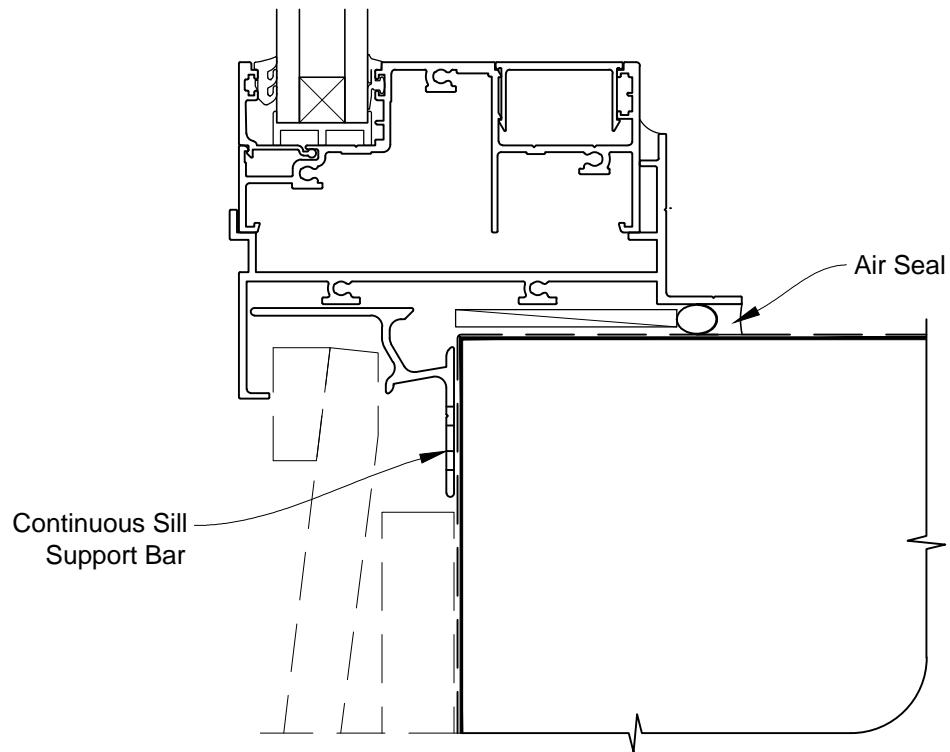


INSTALLATION DETAIL - ARCHITECTURAL 106mm SERIES AWNING WINDOW ON BEVELBACK WEATHERBOARD CAVITY CONSTRUCTION

Date: 01.03.14

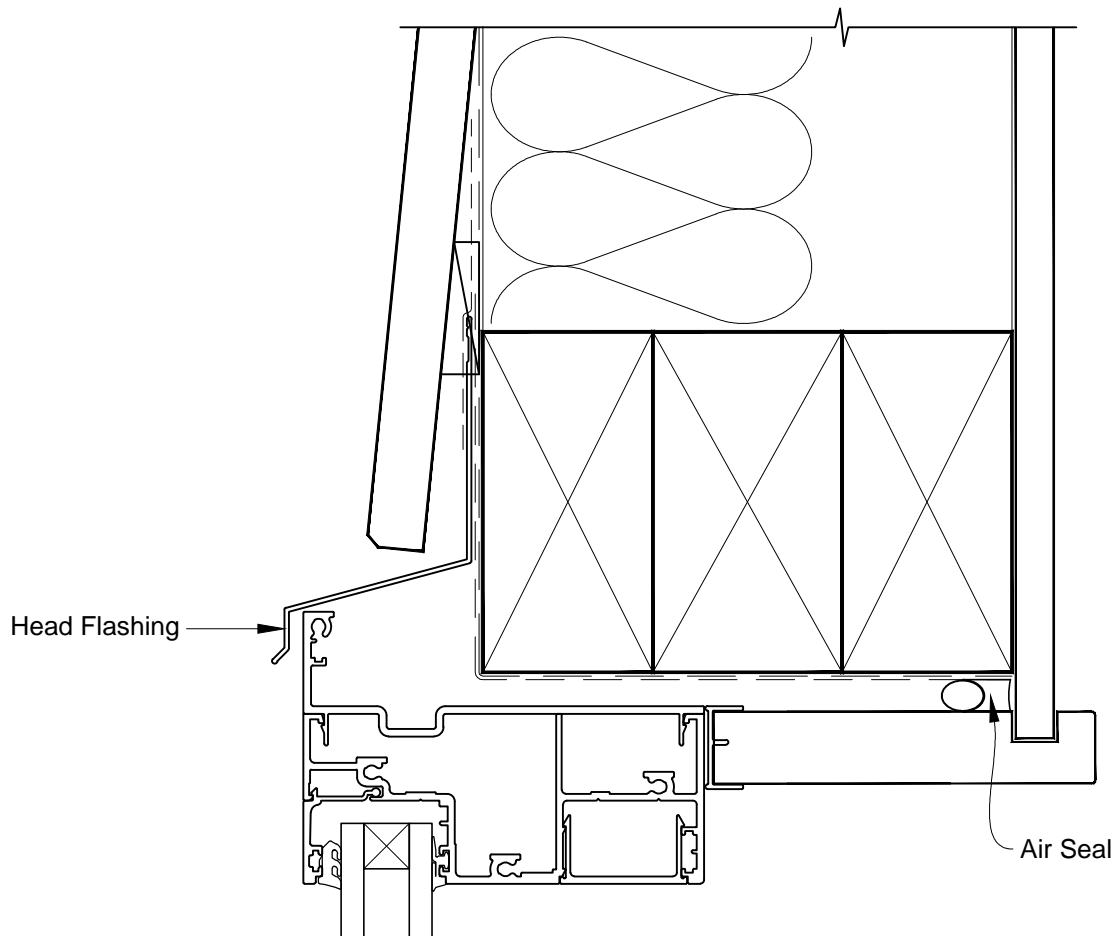
Scale: 1:2

CAD Ref.: ASAW106BW-CS2



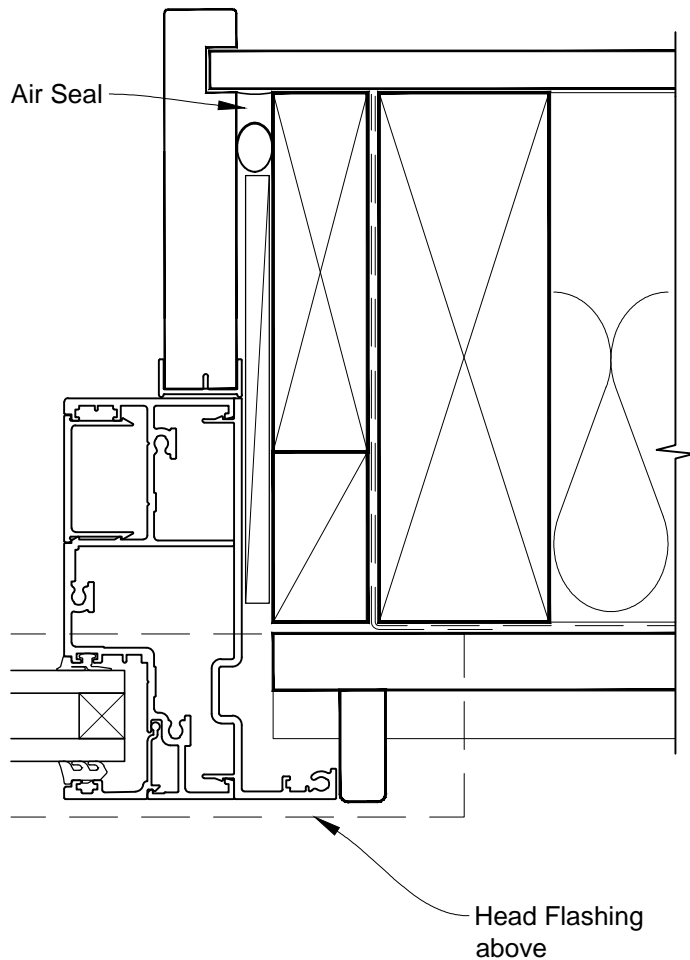
INSTALLATION DETAIL - ARCHITECTURAL 106mm SERIES AWNING WINDOW ON BEVELBACK WEATHERBOARD DIRECT FIXED CLADDING

Date: 01.03.14 Scale: 1:2 CAD Ref.: ASAW106BW-DH



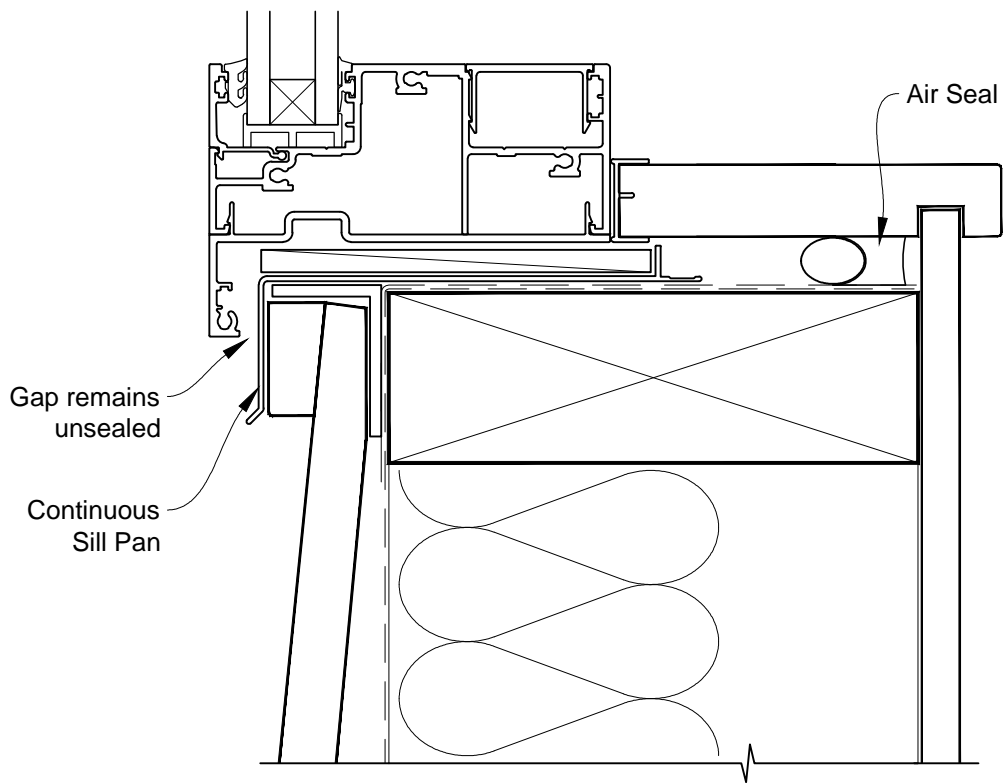
INSTALLATION DETAIL - ARCHITECTURAL 106mm SERIES AWNING WINDOW ON BEVELBACK WEATHERBOARD DIRECT FIXED CLADDING

Date: 01.03.14 Scale: 1:2 CAD Ref.: ASAW106BW-DJ



INSTALLATION DETAIL - ARCHITECTURAL 106mm SERIES AWNING WINDOW ON BEVELBACK WEATHERBOARD DIRECT FIXED CLADDING

Date: 01.03.14 Scale: 1:2 CAD Ref.: ASAW106BW-DS



INSTALLATION DETAIL - ARCHITECTURAL 106mm SERIES AWNING WINDOW ON BEVELBACK WEATHERBOARD DIRECT FIXED CLADDING

Date: 01.03.14 Scale: 1:2 CAD Ref.: ASAW106BW-DS2

