

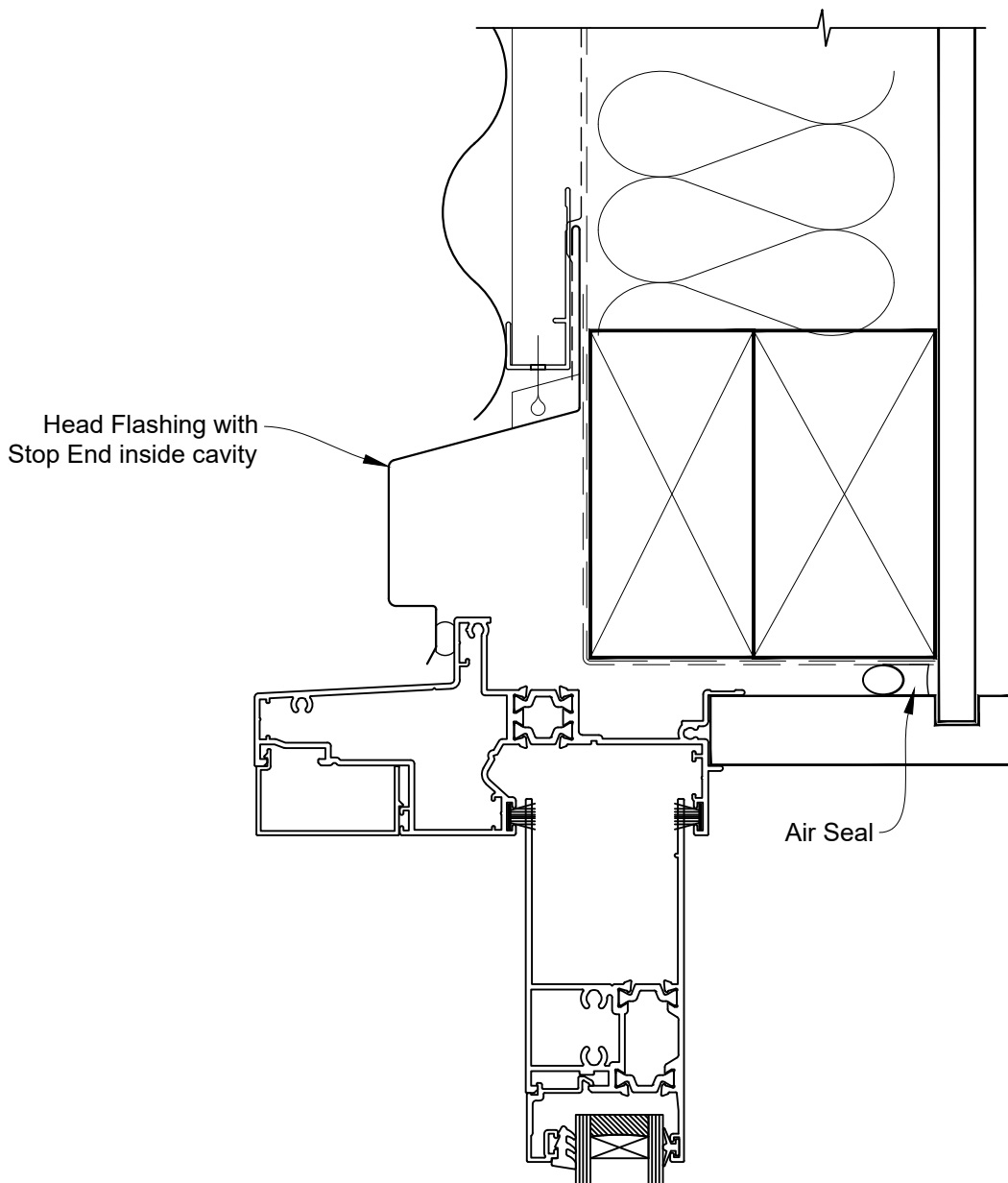


INSTALLATION DETAIL - RESIDENTIAL THERMAL HEART PROJECTING SLIDING DOOR ON PROFILE METAL CAVITY CONSTRUCTION

Date: 01.04.24

Scale: 1:2

CAD Ref.: TRPSDPM-CH



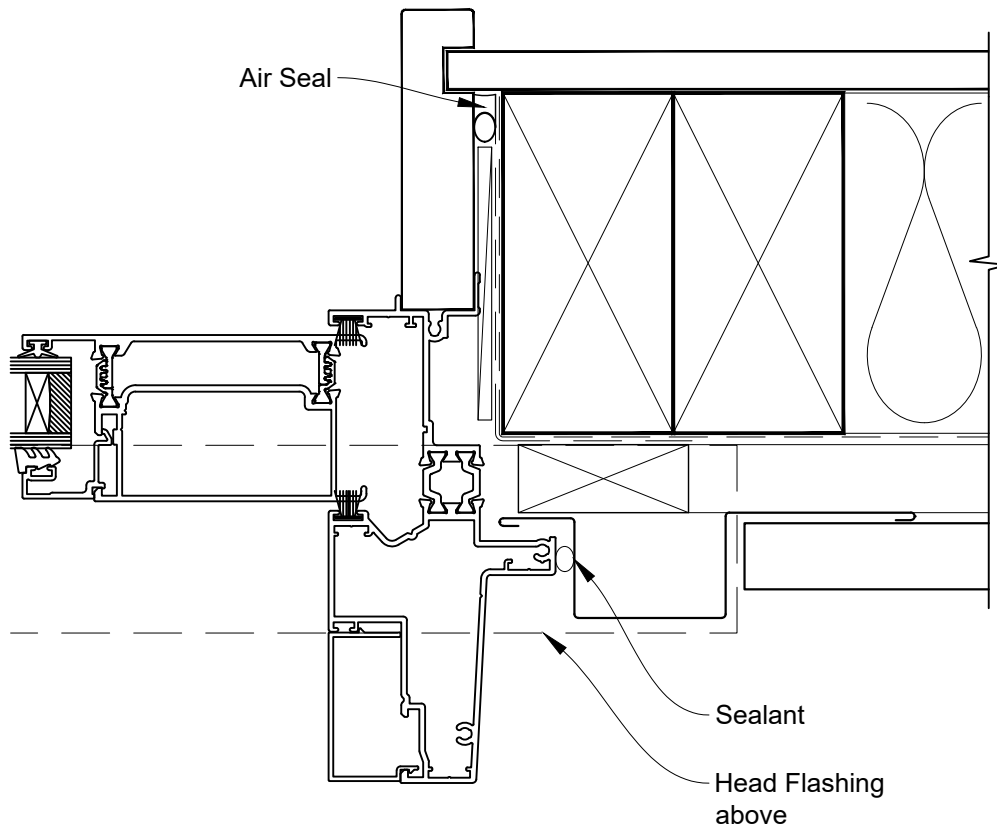


INSTALLATION DETAIL - RESIDENTIAL THERMAL HEART PROJECTING SLIDING DOOR ON PROFILE METAL CAVITY CONSTRUCTION

Date: 01.04.24

Scale: 1:2

CAD Ref.: TRPSDPM-CJ



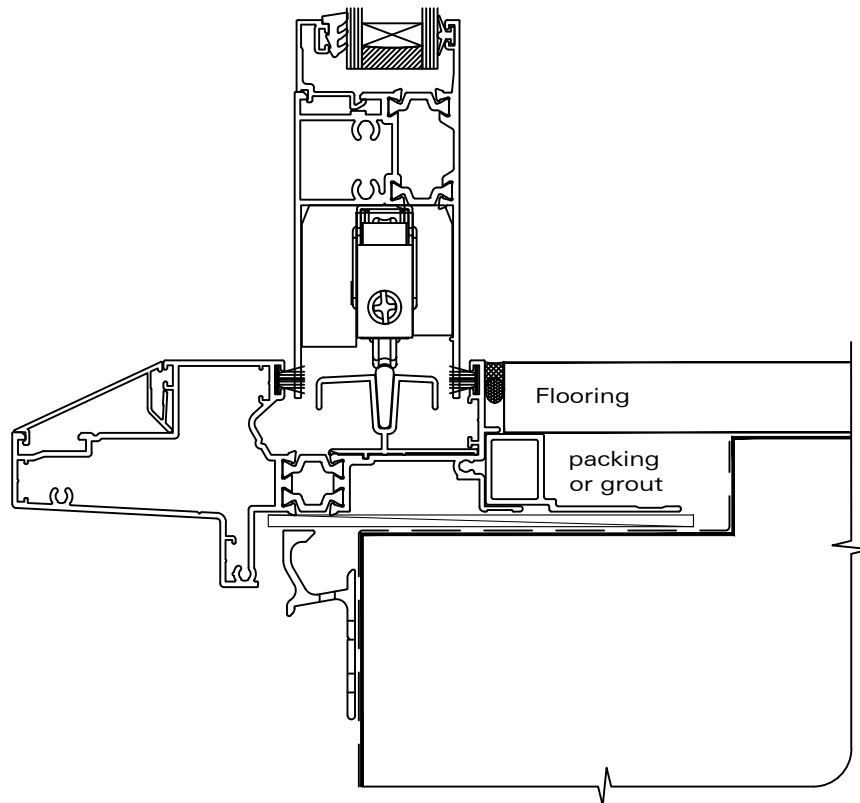


INSTALLATION DETAIL - RESIDENTIAL THERMAL HEART PROJECTING SLIDING DOOR ON PROFILE METAL CAVITY CONSTRUCTION

Date: 01.04.24

Scale: 1:2

CAD Ref.: TRPSDPM-CS



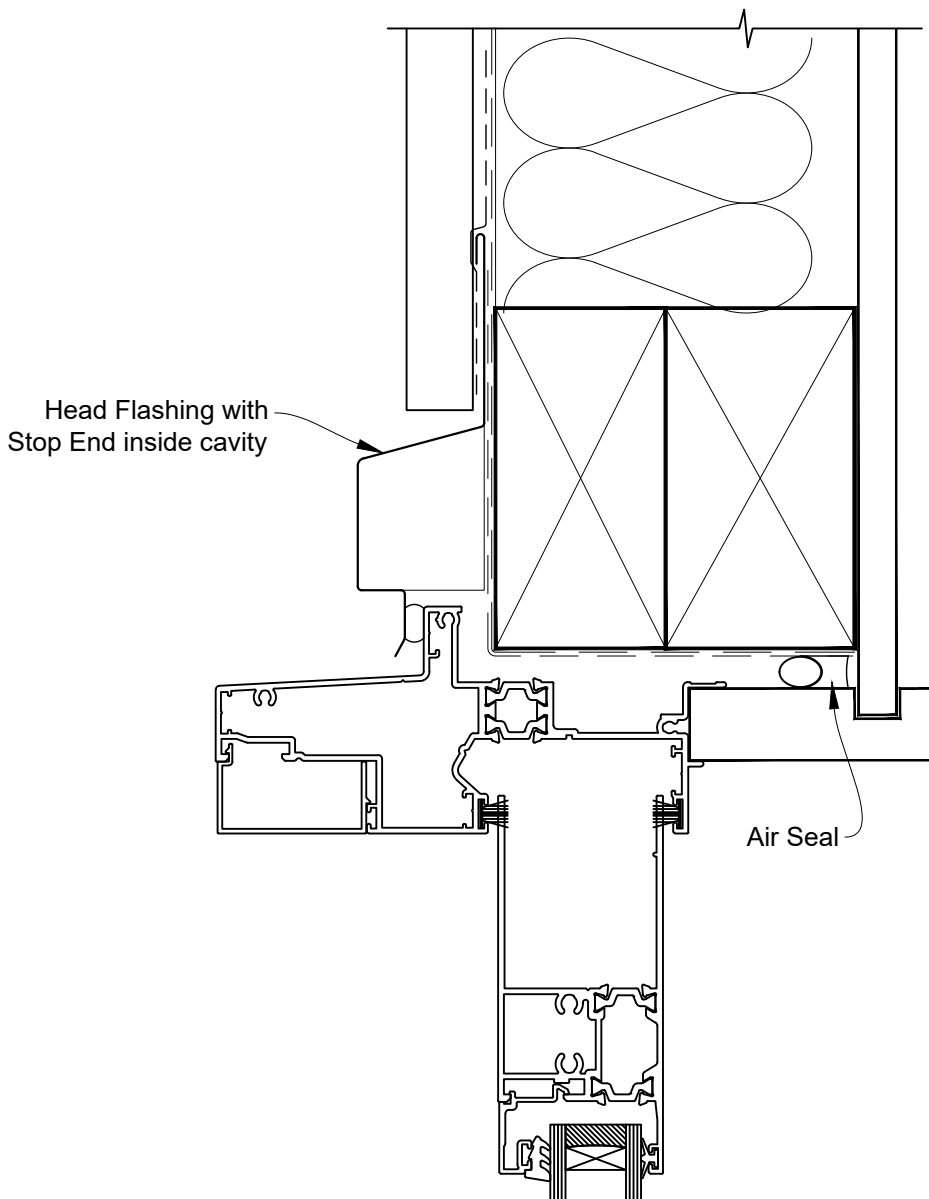


INSTALLATION DETAIL - RESIDENTIAL THERMAL HEART PROJECTING SLIDING DOOR ON BOARD & BATTEN DIRECT FIXED CLADDING

Date: 01.04.24

Scale: 1:2

CAD Ref.: TRPSDPM-DH



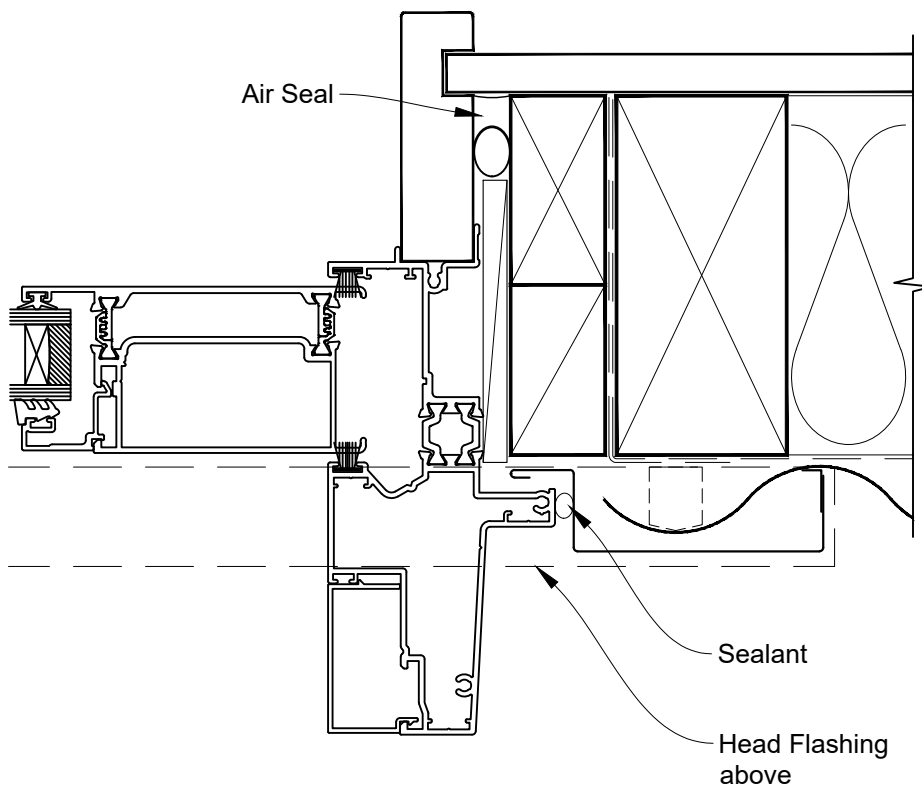


INSTALLATION DETAIL - RESIDENTIAL THERMAL HEART PROJECTING SLIDING DOOR ON BOARD & BATTEN DIRECT FIXED CLADDING

Date: 01.04.24

Scale: 1:2

CAD Ref.: TRPSDPM-DJ





INSTALLATION DETAIL - RESIDENTIAL THERMAL HEART PROJECTING SLIDING DOOR ON BOARD & BATTEN DIRECT FIXED CLADDING

Date: 01.04.24

Scale: 1:2

CAD Ref.: TRPSDPM-DS

