

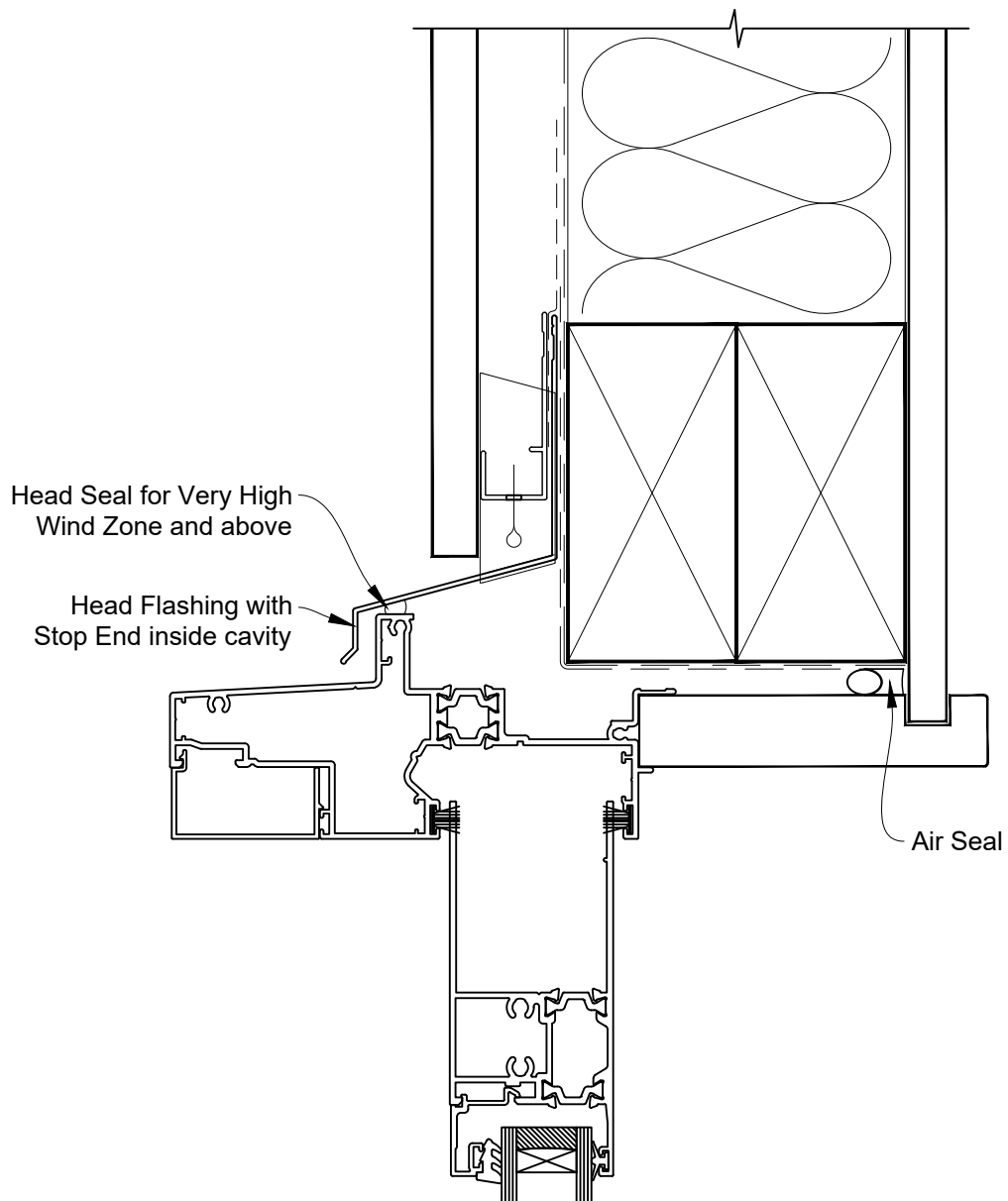


INSTALLATION DETAIL - RESIDENTIAL THERMAL HEART PROJECTING SLIDING DOOR ON FLAT SHEET CAVITY CONSTRUCTION

Date: 01.04.24

Scale: 1:2

CAD Ref.: TRPSDFS-CH



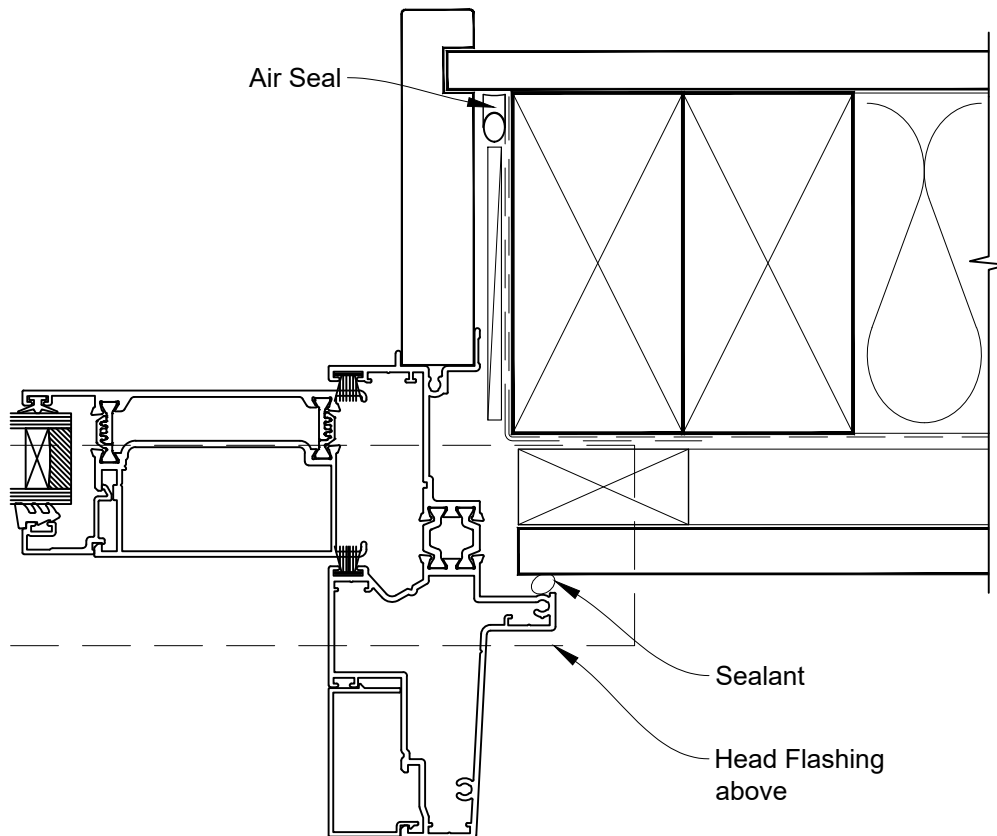


INSTALLATION DETAIL - RESIDENTIAL THERMAL HEART PROJECTING SLIDING DOOR ON FLAT SHEET CAVITY CONSTRUCTION

Date: 01.04.24

Scale: 1:2

CAD Ref.: TRPSDFS-CJ



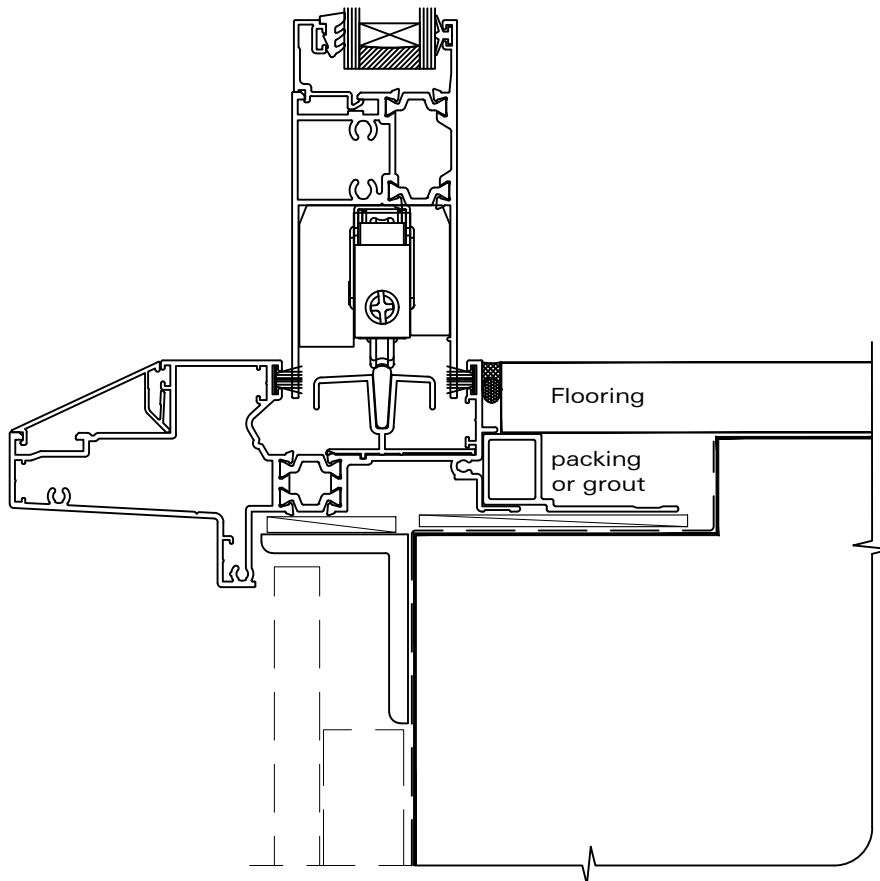


INSTALLATION DETAIL - RESIDENTIAL THERMAL HEART PROJECTING SLIDING DOOR ON FLAT SHEET CAVITY CONSTRUCTION

Date: 01.04.24

Scale: 1:2

CAD Ref.: TRPSDFS-CS



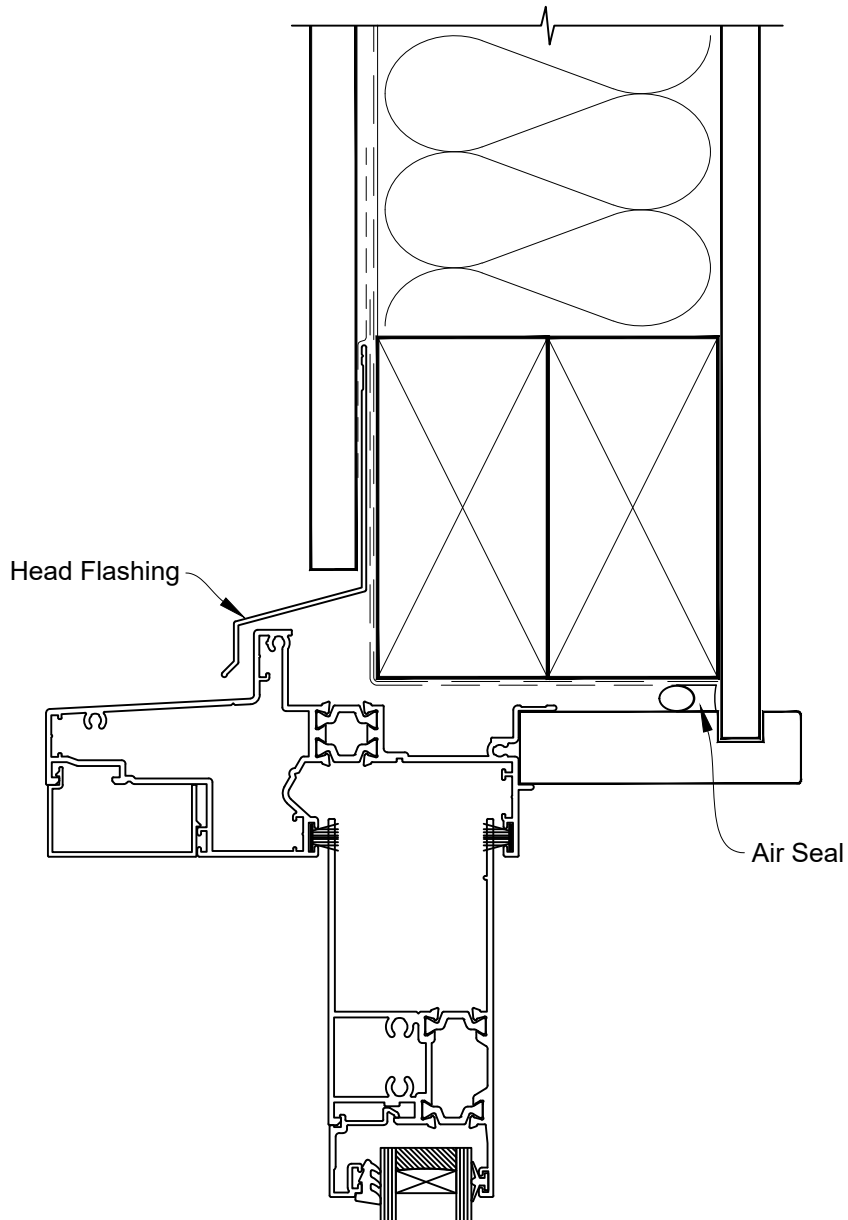


INSTALLATION DETAIL - RESIDENTIAL THERMAL HEART PROJECTING SLIDING DOOR ON FLAT SHEET DIRECT FIXED CLADDING

Date: 01.04.24

Scale: 1:2

CAD Ref.: TRPSDFS-DH



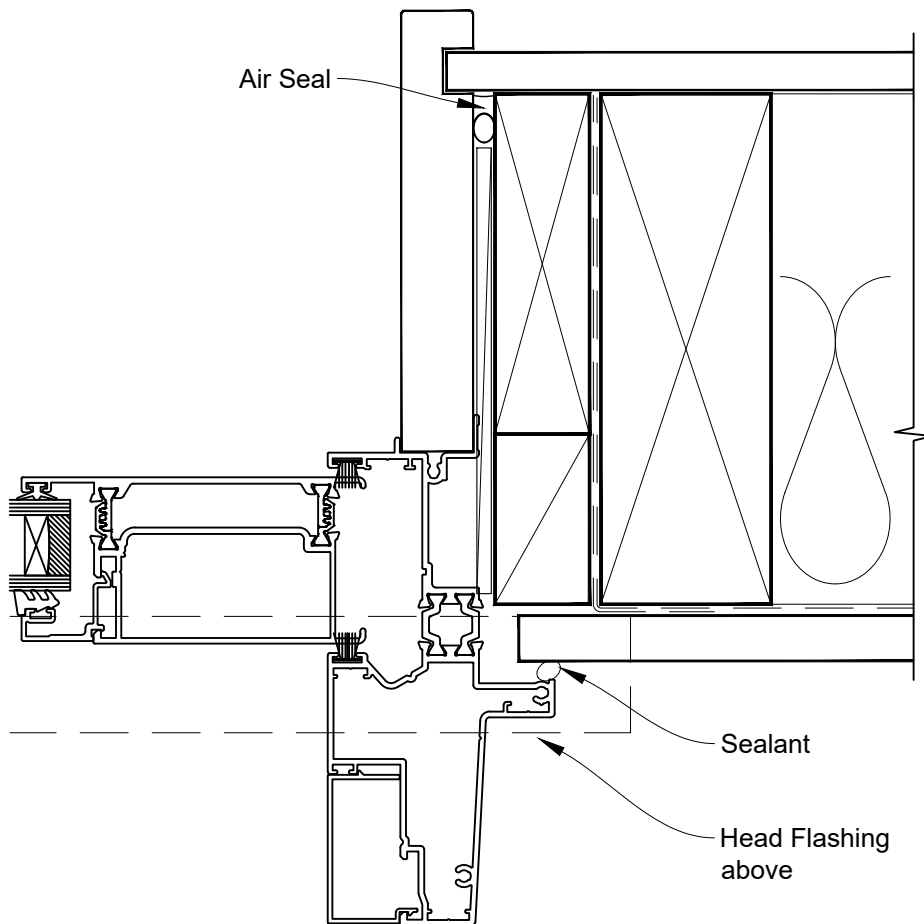


INSTALLATION DETAIL - RESIDENTIAL THERMAL HEART PROJECTING SLIDING DOOR ON FLAT SHEET DIRECT FIXED CLADDING

Date: 01.04.24

Scale: 1:2

CAD Ref.: TRPSDFS-DJ





INSTALLATION DETAIL - RESIDENTIAL THERMAL HEART PROJECTING SLIDING DOOR ON FLAT SHEET DIRECT FIXED CLADDING

Date: 01.04.24

Scale: 1:2

CAD Ref.: TRPSDFS-DS

