

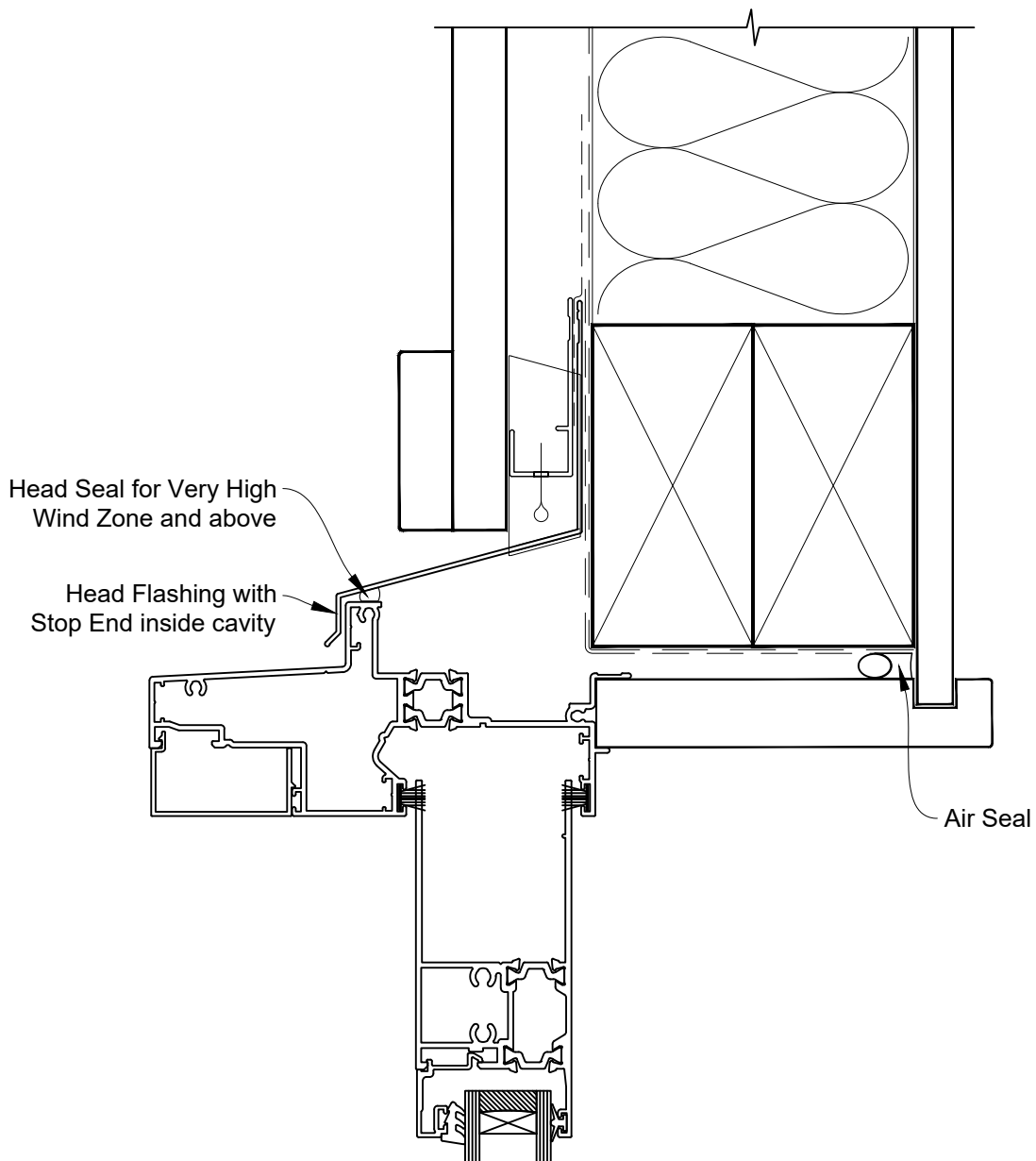


INSTALLATION DETAIL - RESIDENTIAL THERMAL HEART PROJECTING SLIDING DOOR ON BOARD & BATTEN CAVITY CONSTRUCTION

Date: 01.04.24

Scale: 1:2

CAD Ref.: TRPSDBB-CH



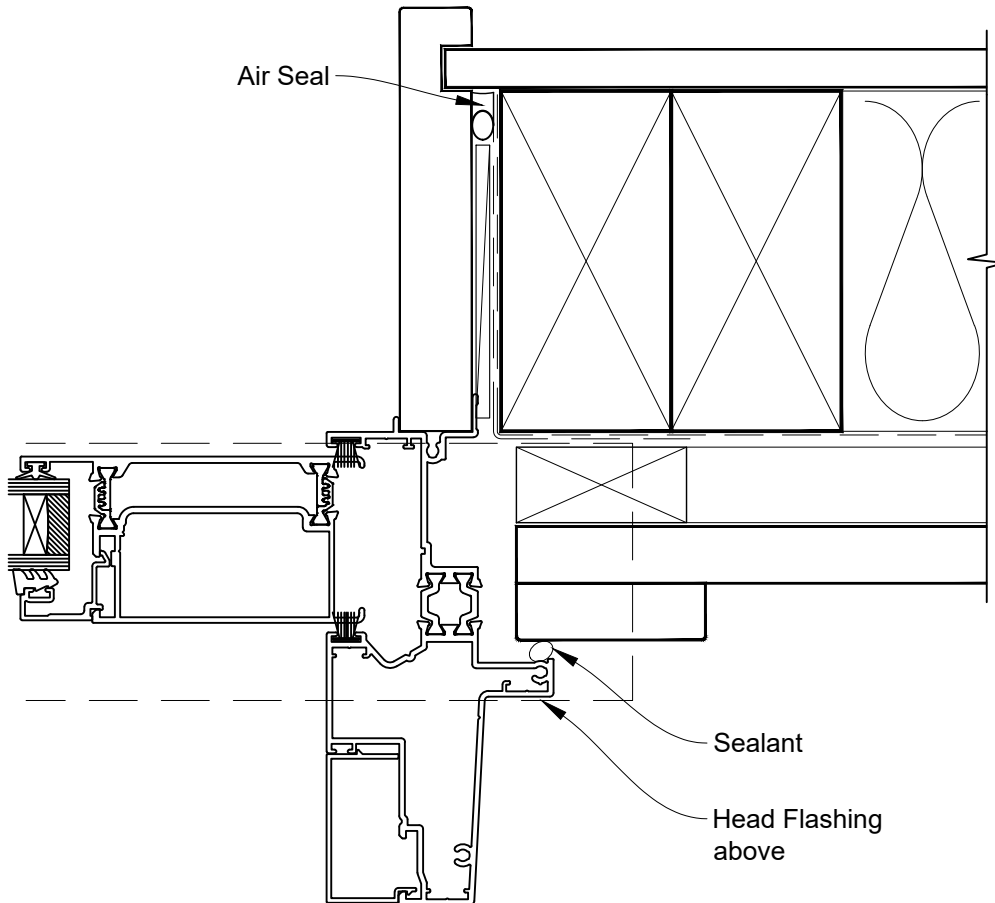


INSTALLATION DETAIL - RESIDENTIAL THERMAL HEART PROJECTING SLIDING DOOR ON BOARD & BATTEN CAVITY CONSTRUCTION

Date: 01.04.24

Scale: 1:2

CAD Ref.: TRPSDBB-CJ



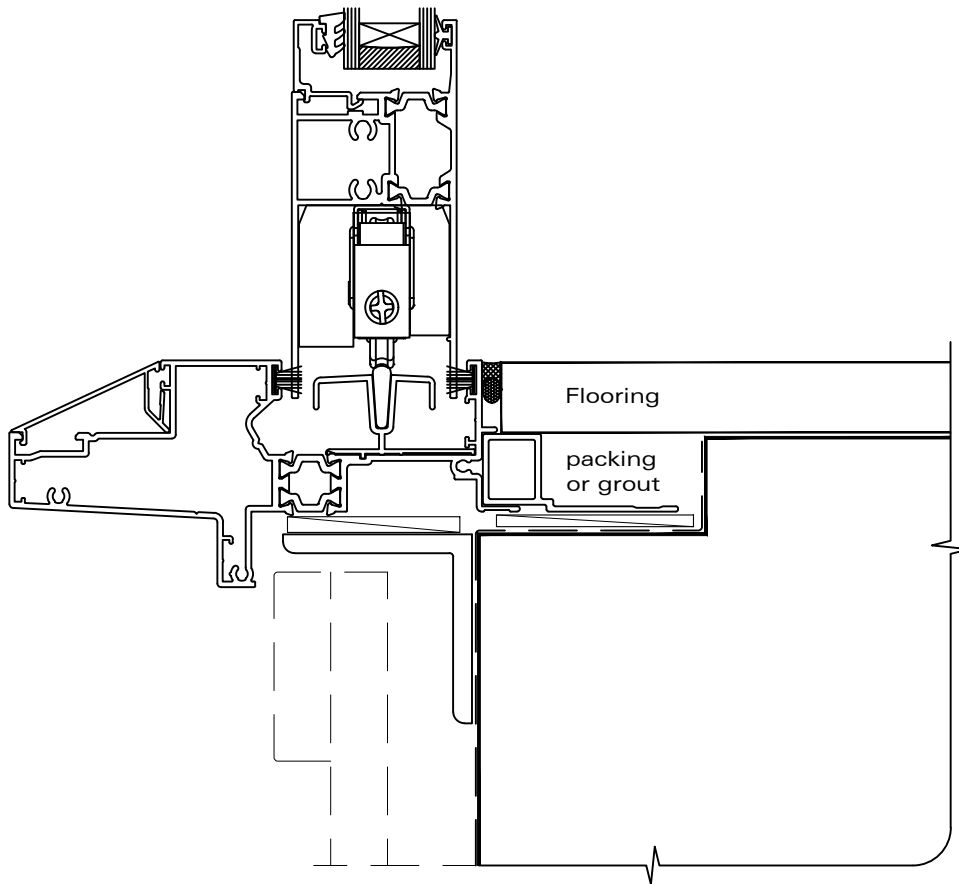


INSTALLATION DETAIL - RESIDENTIAL THERMAL HEART PROJECTING SLIDING DOOR ON BOARD & BATTEN CAVITY CONSTRUCTION

Date: 01.04.24

Scale: 1:2

CAD Ref.: TRPSDBB-CS



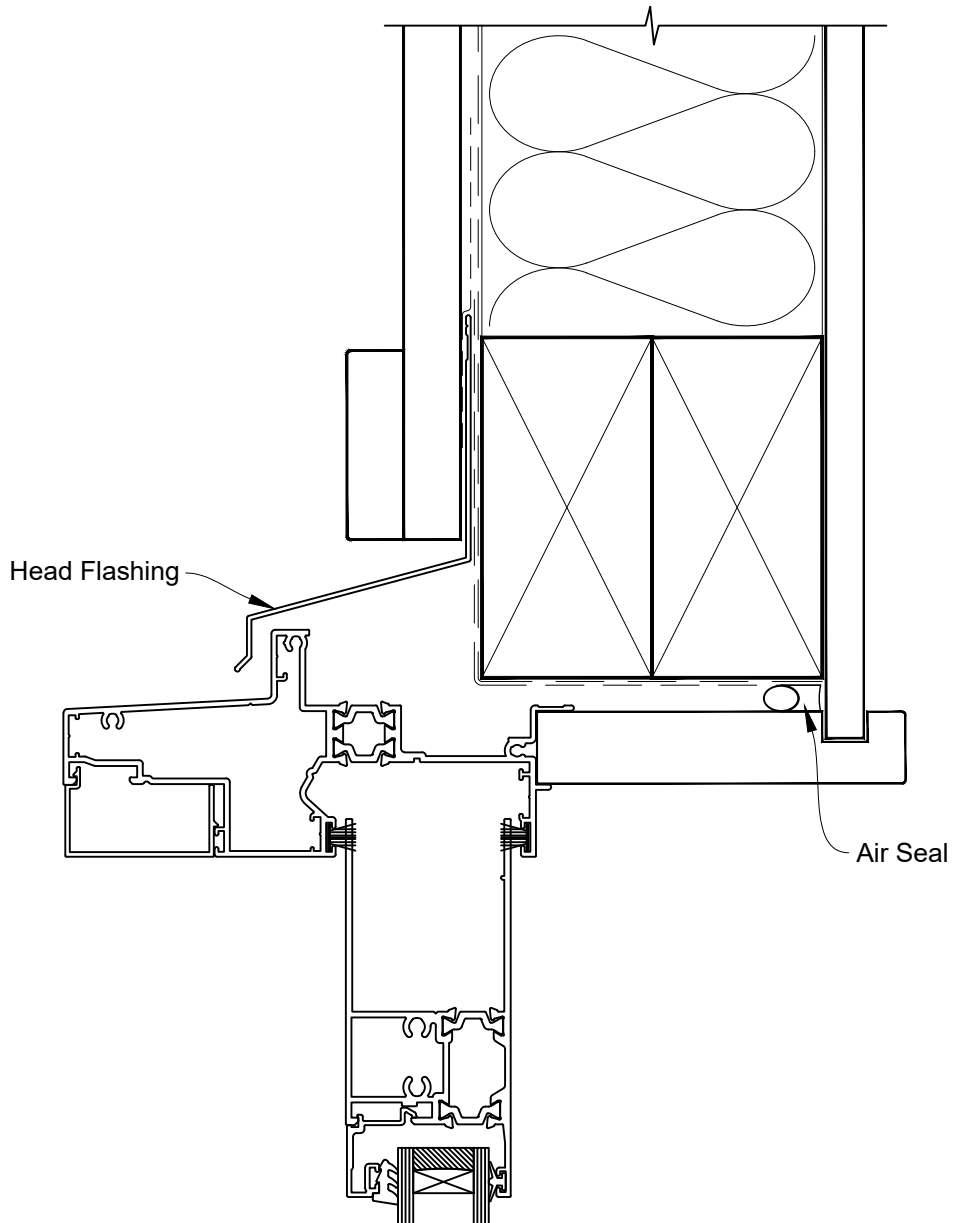


INSTALLATION DETAIL - RESIDENTIAL THERMAL HEART PROJECTING SLIDING DOOR ON BOARD & BATTEN DIRECT FIXED CLADDING

Date: 01.04.24

Scale: 1:2

CAD Ref.: TRPSDBB-DH



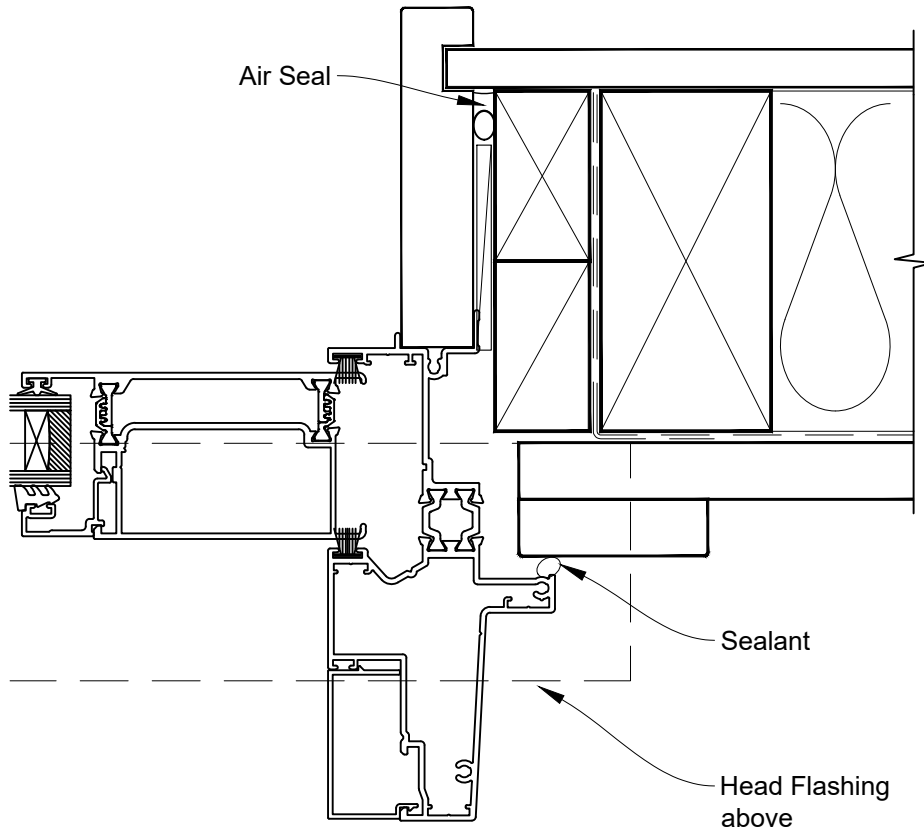


INSTALLATION DETAIL - RESIDENTIAL THERMAL HEART PROJECTING SLIDING DOOR ON BOARD & BATTEN DIRECT FIXED CLADDING

Date: 01.04.24

Scale: 1:2

CAD Ref.: TRPSDBB-DJ





INSTALLATION DETAIL - RESIDENTIAL THERMAL HEART PROJECTING SLIDING DOOR ON BOARD & BATTEN DIRECT FIXED CLADDING

Date: 01.04.24

Scale: 1:2

CAD Ref.: TRPSDBB-DS

