

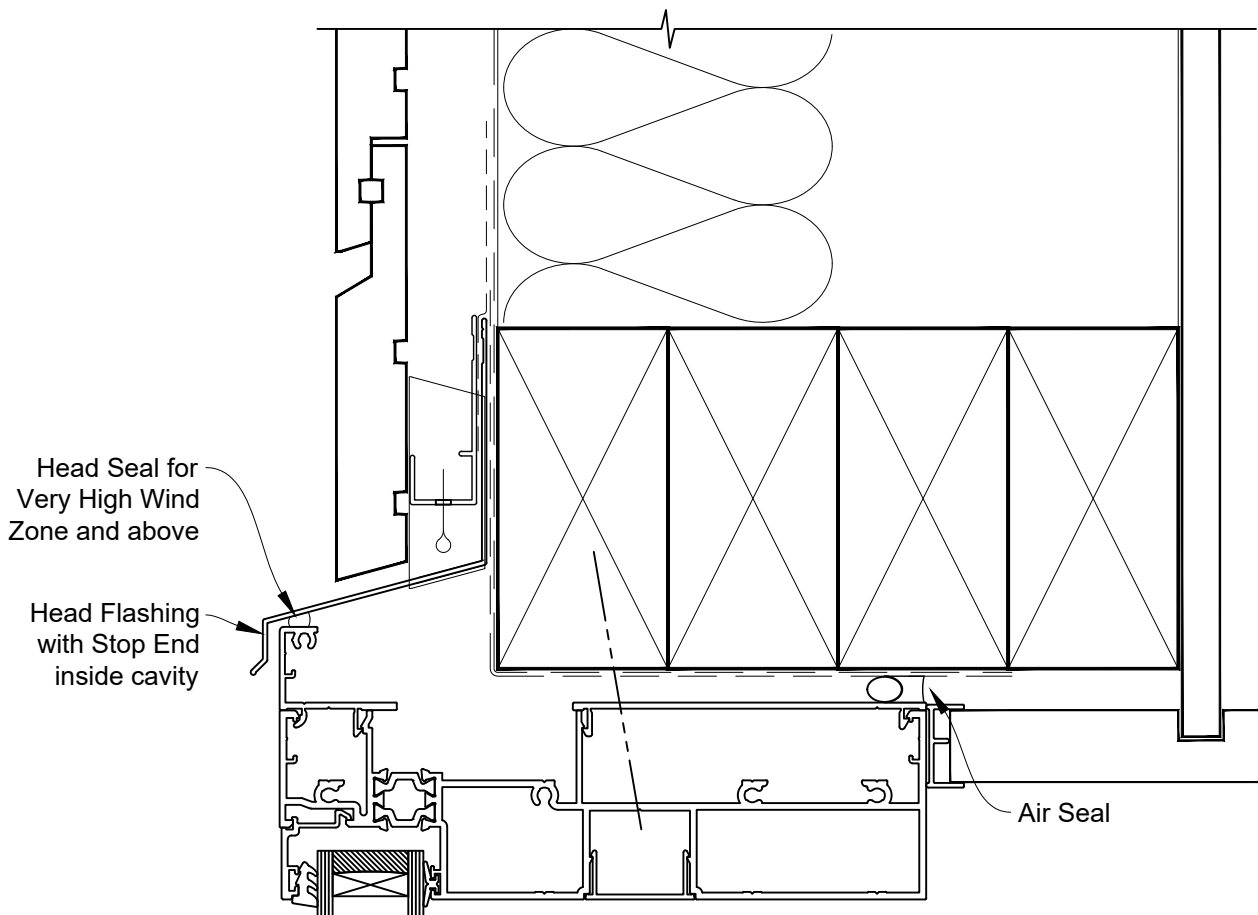


INSTALLATION DETAIL - ARCHITECTURAL THERMAL HEART 171mm AWNING WINDOW ON RUSTICATED WEATHERBOARD CAVITY CONSTRUCTION

Date: 01.09.23

Scale: 1:2

CAD Ref.: TA171AWRW-CH



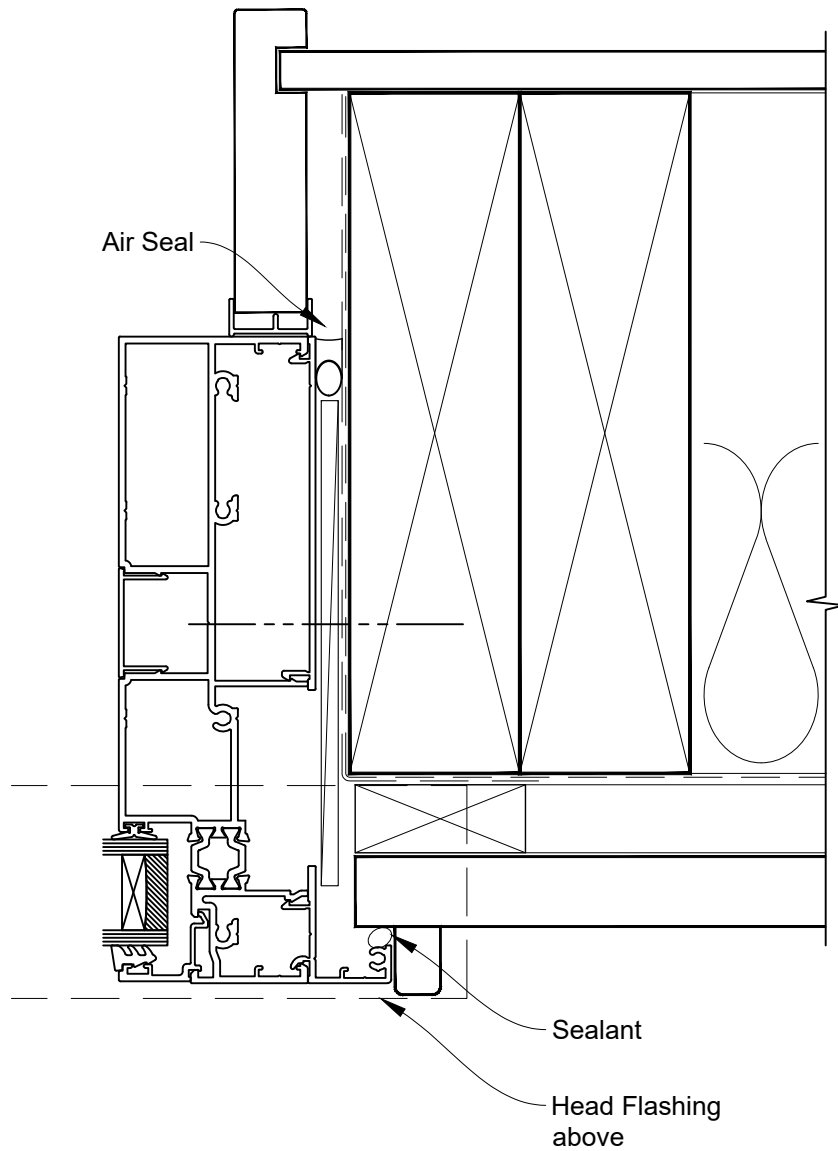


INSTALLATION DETAIL - ARCHITECTURAL THERMAL HEART 171mm AWNING WINDOW ON RUSTICATED WEATHERBOARD CAVITY CONSTRUCTION

Date: 01.09.23

Scale: 1:2

CAD Ref.: TA171AWRW-CJ





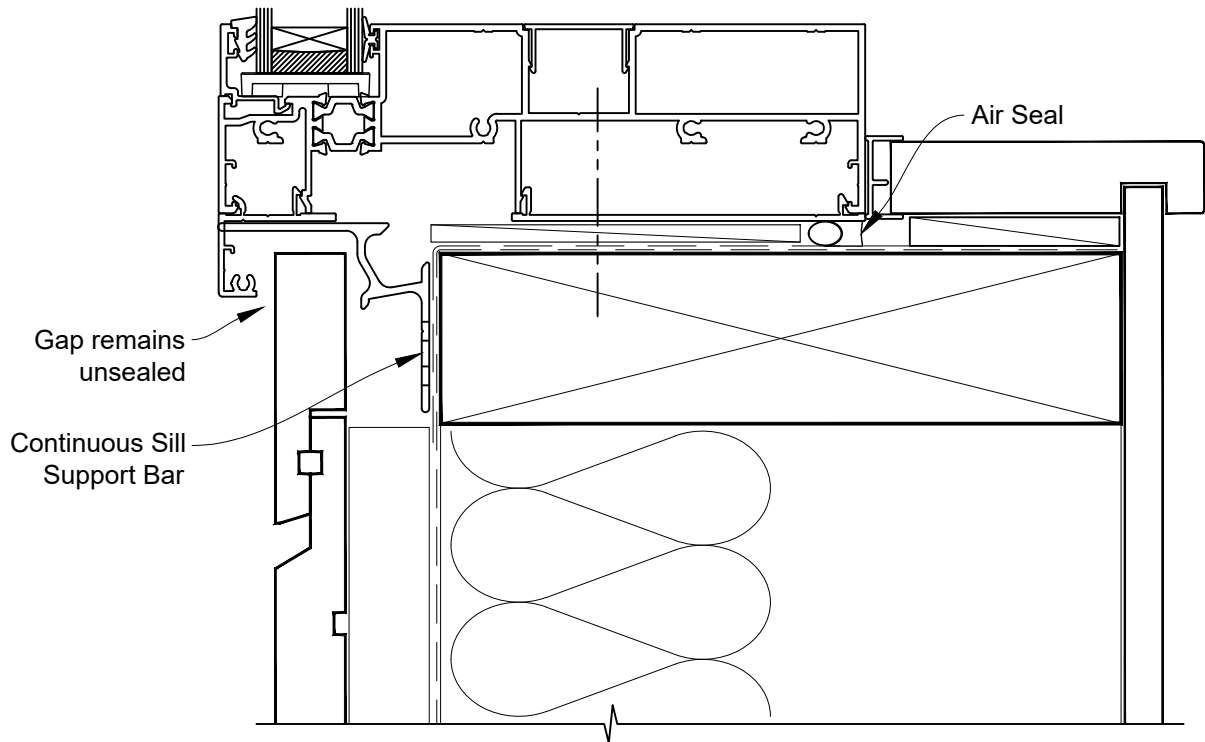
INSTALLATION DETAIL - ARCHITECTURAL THERMAL HEART 171mm AWNING WINDOW ON RUSTICATED WEATHERBOARD CAVITY CONSTRUCTION

Date: 01.09.23

Scale: 1:2

CAD Ref.: TA171AWRW-CS

FACING INFILL OPTION





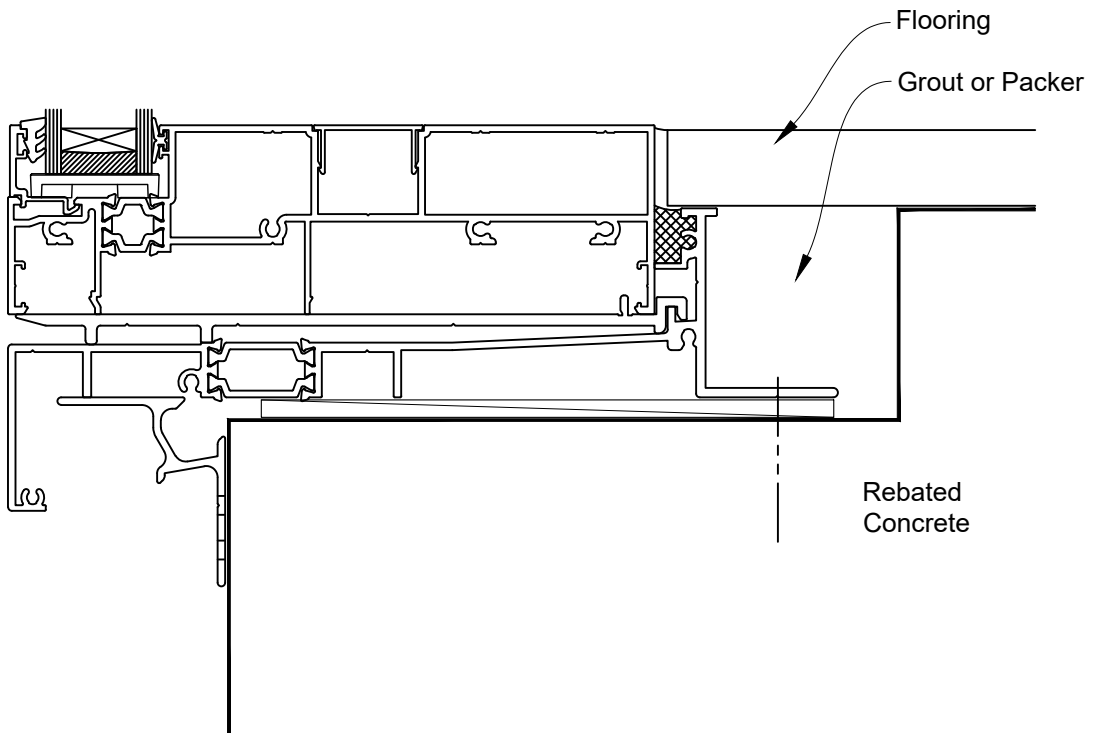
INSTALLATION DETAIL - ARCHITECTURAL THERMAL HEART 171mm AWNING WINDOW ON RUSTICATED WEATHERBOARD CAVITY CONSTRUCTION

Date: 01.09.23

Scale: 1:2

CAD Ref.: TA171AWRW-CS2

SILL TRAY OPTION





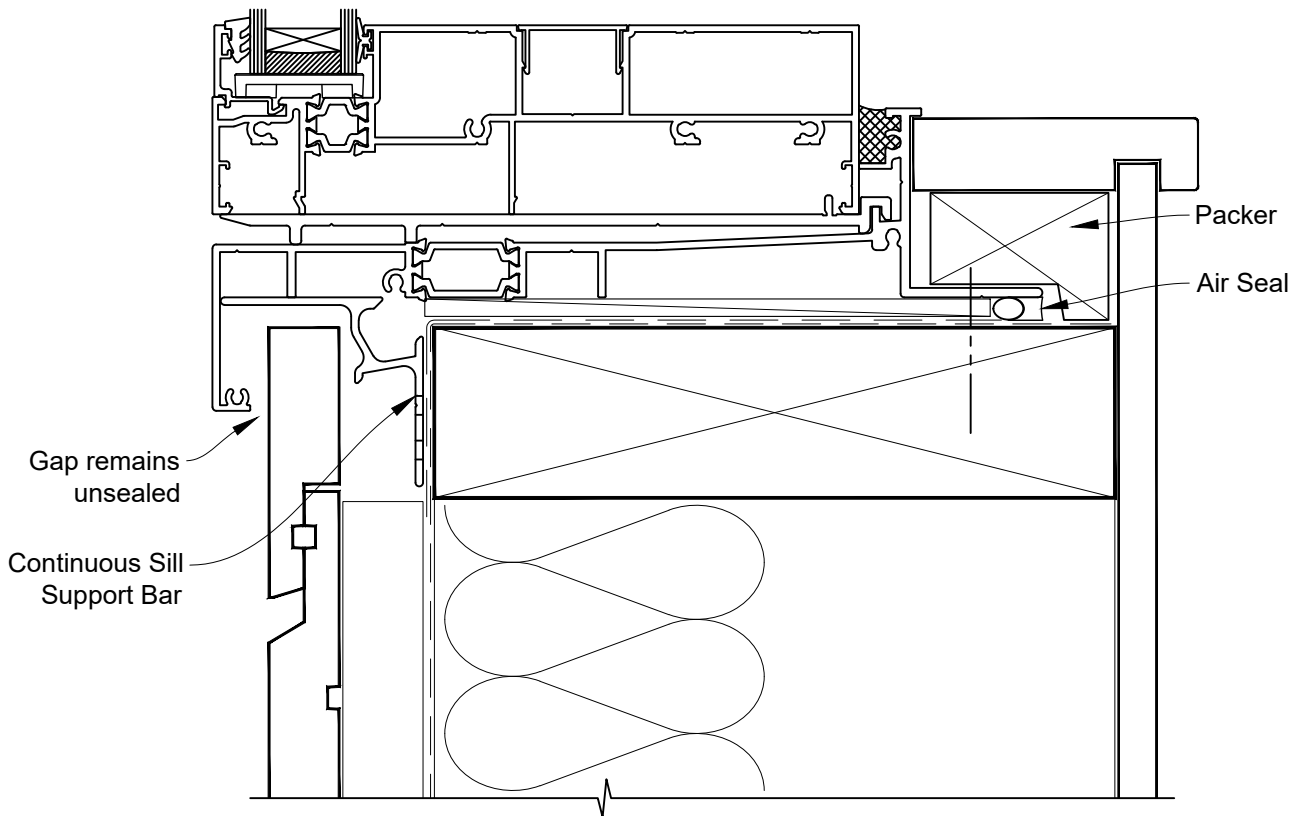
INSTALLATION DETAIL - ARCHITECTURAL THERMAL HEART 171mm AWNING WINDOW ON RUSTICATED WEATHERBOARD CAVITY CONSTRUCTION

Date: 01.09.23

Scale: 1:2

CAD Ref.: TA171AWRW-CS3

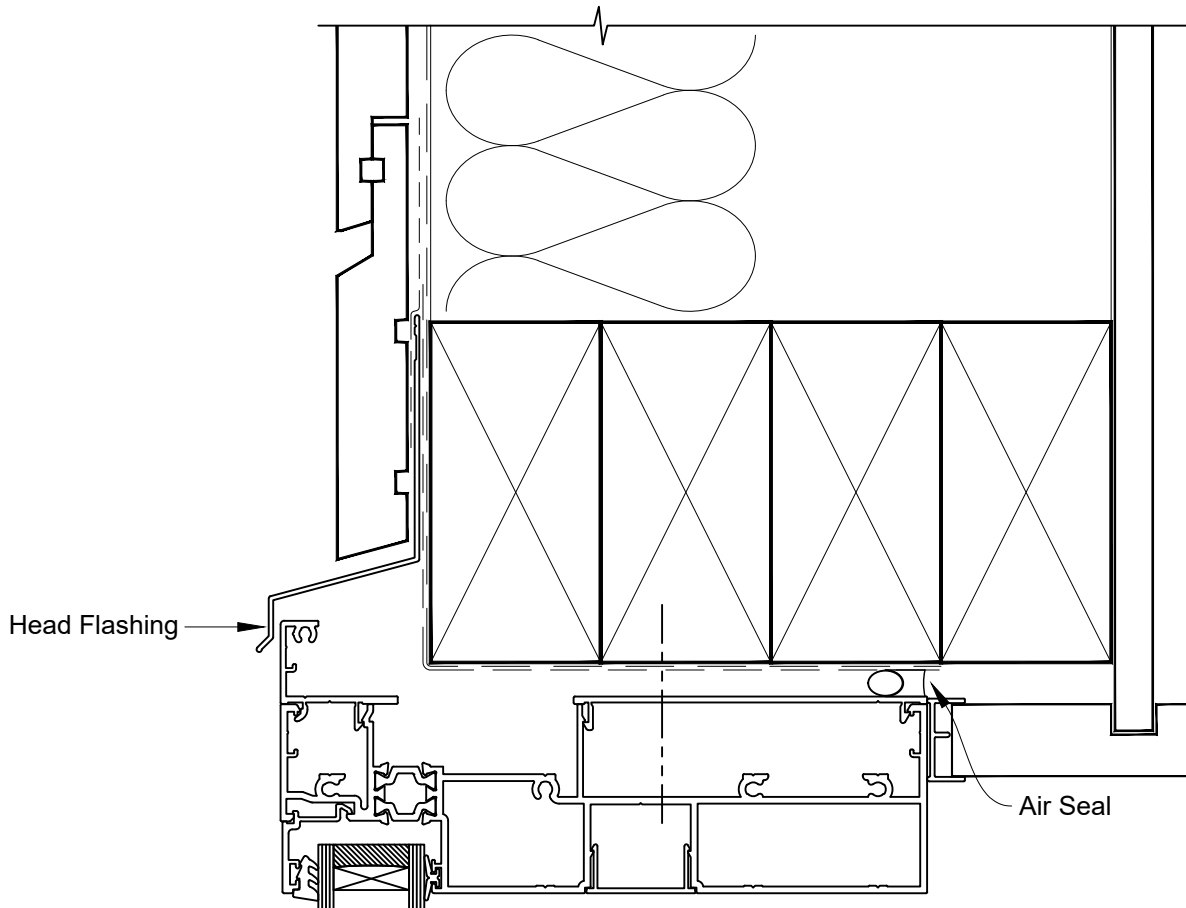
SILL TRAY OPTION





INSTALLATION DETAIL - ARCHITECTURAL THERMAL HEART 171mm AWNING WINDOW ON RUSTICATED WEATHERBOARD DIRECT FIXED CLADDING

Date: 01.09.23 Scale: 1:2 CAD Ref.: TA171AWRW-DH



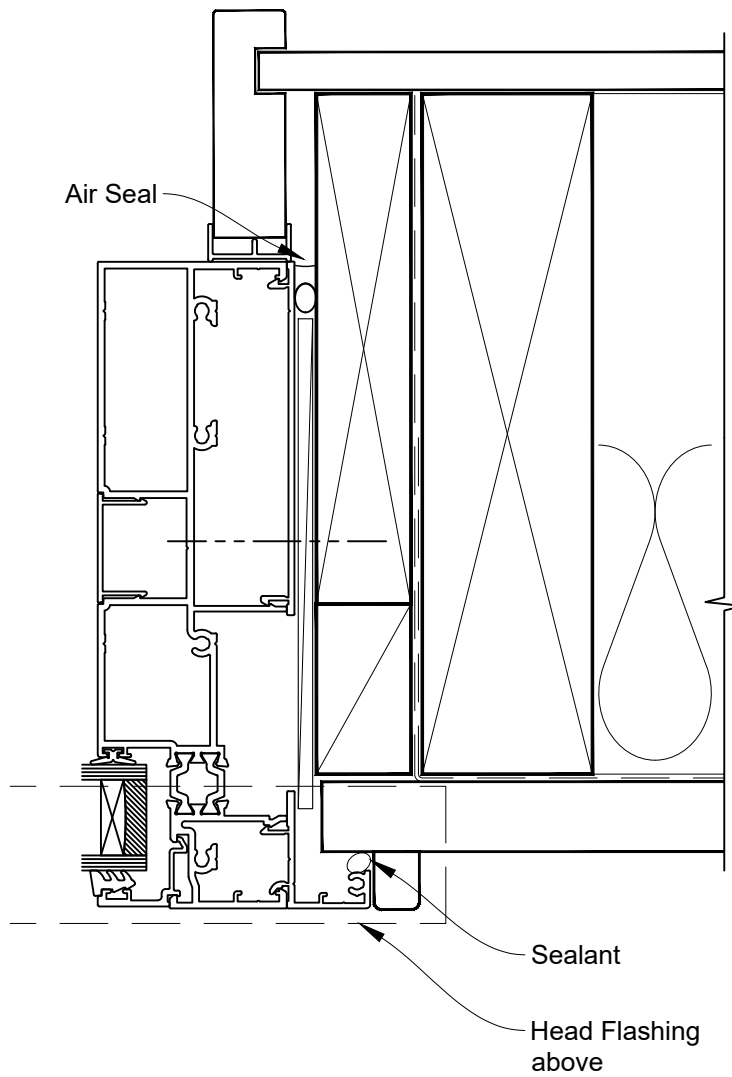


INSTALLATION DETAIL - ARCHITECTURAL THERMAL HEART 171mm AWNING WINDOW ON RUSTICATED WEATHERBOARD DIRECT FIXED CLADDING

Date: 01.09.23

Scale: 1:2

CAD Ref.: TA171AWRW-DJ





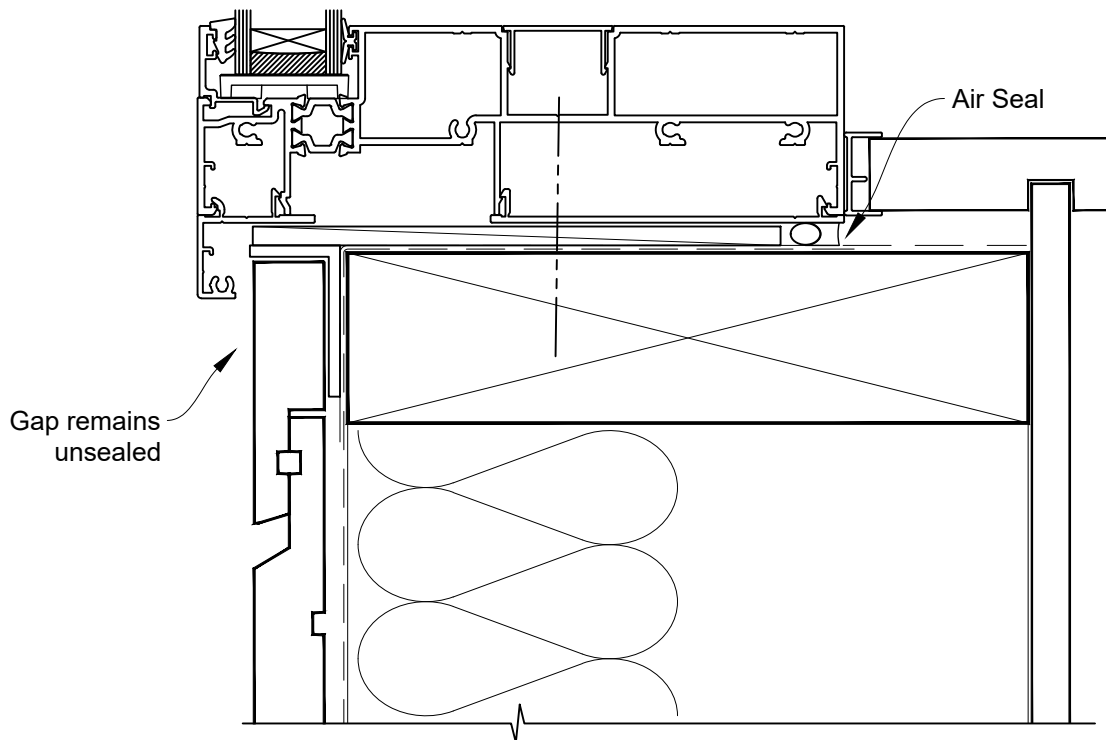
INSTALLATION DETAIL - ARCHITECTURAL THERMAL HEART 171mm AWNING WINDOW ON RUSTICATED WEATHERBOARD DIRECT FIXED CLADDING

Date: 01.09.23

Scale: 1:2

CAD Ref.: TA171AWRW-DS

FACING INFILL OPTION





INSTALLATION DETAIL - ARCHITECTURAL THERMAL HEART 171mm AWNING WINDOW ON RUSTICATED WEATHERBOARD DIRECT FIXED CLADDING

Date: 01.09.23

Scale: 1:2

CAD Ref.: TA171AWRW-DS2

SILL TRAY OPTION

